

74LVC04 Hex Inverter

GENERAL DESCRIPTION

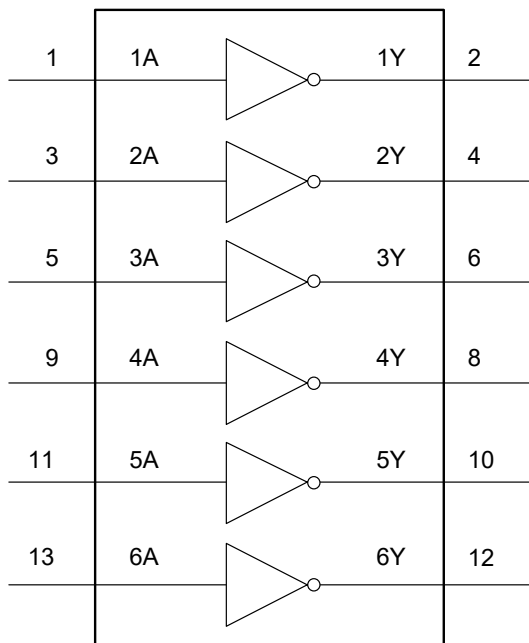
The 74LVC04 contains six independent inverters that is designed for 1.2V to 3.6V V_{CC} operation. The device performs the Boolean function $Y = \bar{A}$.

Inputs can be driven from either 3.3V or 5V devices. This feature allows the use of this device as a translator in mixed 3.3V and 5V applications.

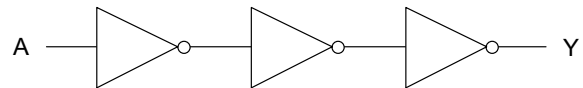
FEATURES

- 5V Tolerant Inputs for Interfacing with 5V Logic
- Wide Supply Voltage Range: 1.2V to 3.6V
- CMOS Low Power Consumption
- Direct Interface with TTL Levels
- Inputs Accept Voltages up to 5.5V
- -40°C to +125°C Operating Temperature Range
- Available in a Green SOIC-14 Package

LOGIC SYMBOL



LOGIC DIAGRAM



FUNCTION TABLE

INPUT	OUTPUT
nA	nY
L	H
H	L

$$Y = \bar{A}$$

H = High Voltage Level

L = Low Voltage Level

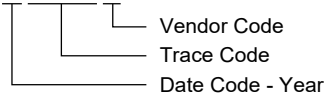
PACKAGE/ORDERING INFORMATION

MODEL	PACKAGE DESCRIPTION	SPECIFIED TEMPERATURE RANGE	ORDERING NUMBER	PACKAGE MARKING	PACKING OPTION
74LVC04	SOIC-14	-40°C to +125°C	74LVC04XS14G/TR	74LVC04XS14 XXXXX	Tape and Reel, 2500

MARKING INFORMATION

NOTE: XXXXX = Date Code, Trace Code and Vendor Code.

XXXXX



Green (RoHS & HSF): SG Micro Corp defines "Green" to mean Pb-Free (RoHS compatible) and free of halogen substances. If you have additional comments or questions, please contact your SGMICRO representative directly.

ABSOLUTE MAXIMUM RATINGS ⁽¹⁾

Supply Voltage, V_{CC}	-0.5V to 6.5V
Input Voltage, V_I ⁽²⁾	-0.5V to 6.5V
Output Voltage, V_O ⁽²⁾	-0.5V to $V_{CC} + 0.5V$
Input Clamping Current, I_{IK} ($V_I < 0V$)	-50mA
Output Clamping Current, I_{OK} ($V_O > V_{CC}$ or $V_O < 0V$)	-50mA
Output Current, I_O ($V_O = 0V$ to V_{CC})	$\pm 50mA$
Supply Current, I_{CC}	100mA
Ground Current, I_{GND}	-100mA
Junction Temperature ⁽³⁾	+150°C
Storage Temperature Range	-65°C to +150°C
Lead Temperature (Soldering, 10s)	+260°C
ESD Susceptibility	
HBM	6000V
CDM	1000V

RECOMMENDED OPERATING CONDITIONS

Supply Voltage, V_{CC}	1.65V to 3.6V
Data Retention Only, V_{CC}	1.2V to 3.6V
Input Voltage, V_I	0V to 5.5V
Output Voltage, V_O	0V to V_{CC}
Input Transition Rise and Fall Rate, $\Delta t/\Delta V$	
$V_{CC} = 1.65V$ to $2.7V$	20ns/V (MAX)
$V_{CC} = 2.7V$ to $3.6V$	10ns/V (MAX)
Operating Temperature Range	-40°C to +125°C

OVERSTRESS CAUTION

- Stresses beyond those listed in Absolute Maximum Ratings may cause permanent damage to the device. Exposure to absolute maximum rating conditions for extended periods may affect reliability. Functional operation of the device at any conditions beyond those indicated in the Recommended Operating Conditions section is not implied.
- The input and output voltage ratings may be exceeded if the input and output clamp current ratings are observed.
- The performance capability of a high-performance integrated circuit in conjunction with its thermal environment can create junction temperatures which are detrimental to reliability.

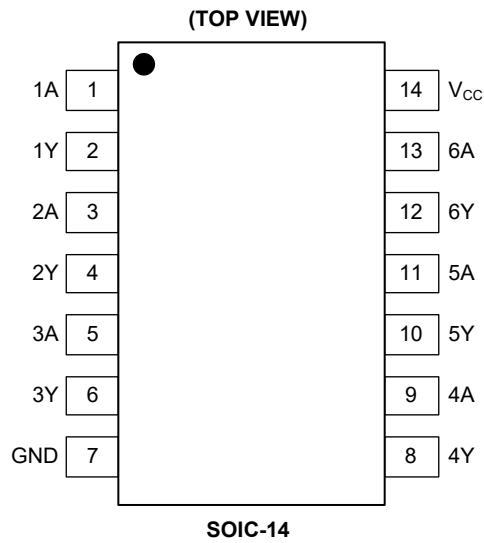
ESD SENSITIVITY CAUTION

This integrated circuit can be damaged if ESD protections are not considered carefully. SGMICRO recommends that all integrated circuits be handled with appropriate precautions. Failure to observe proper handling and installation procedures can cause damage. ESD damage can range from subtle performance degradation to complete device failure. Precision integrated circuits may be more susceptible to damage because even small parametric changes could cause the device not to meet the published specifications.

DISCLAIMER

SG Micro Corp reserves the right to make any change in circuit design, or specifications without prior notice.

PIN CONFIGURATION



PIN DESCRIPTION

PIN	NAME	FUNCTION
1, 3, 5, 9, 11, 13	1A, 2A, 3A, 4A, 5A, 6A	Data Inputs.
2, 4, 6, 8, 10, 12	1Y, 2Y, 3Y, 4Y, 5Y, 6Y	Data Outputs.
7	GND	Ground.
14	V _{CC}	Supply Voltage.

ELECTRICAL CHARACTERISTICS(Full = -40°C to +125°C, all typical values are measured at $V_{CC} = 3.3V$ and $T_A = +25^\circ C$, unless otherwise noted.)

PARAMETER	SYMBOL	CONDITIONS	TEMP	MIN	TYP	MAX	UNITS	
High-Level Input Voltage	V_{IH}	$V_{CC} = 1.2V$	Full	1.08			V	
		$V_{CC} = 1.65V$ to $1.95V$	Full	$0.65 \times V_{CC}$				
		$V_{CC} = 2.3V$ to $2.7V$	Full	1.7				
		$V_{CC} = 2.7V$ to $3.6V$	Full	2				
Low-Level Input Voltage	V_{IL}	$V_{CC} = 1.2V$	Full			0.12	V	
		$V_{CC} = 1.65V$ to $1.95V$	Full			$0.35 \times V_{CC}$		
		$V_{CC} = 2.3V$ to $2.7V$	Full			0.7		
		$V_{CC} = 2.7V$ to $3.6V$	Full			0.8		
High-Level Output Voltage	V_{OH}	$V_I = V_{IH}$ or V_{IL}	$V_{CC} = 1.65V$ to $3.6V$, $I_O = -100\mu A$	Full	$V_{CC} - 0.05$	$V_{CC} - 0.005$	V	
			$V_{CC} = 1.65V$, $I_O = -4mA$	Full	1.45	1.57		
			$V_{CC} = 2.3V$, $I_O = -8mA$	Full	2.05	2.20		
			$V_{CC} = 2.7V$, $I_O = -12mA$	Full	2.35	2.57		
			$V_{CC} = 3.0V$, $I_O = -18mA$	Full	2.55	2.82		
			$V_{CC} = 3.0V$, $I_O = -24mA$	Full	2.45	2.76		
Low-Level Output Voltage	V_{OL}	$V_I = V_{IH}$ or V_{IL}	$V_{CC} = 1.65V$ to $3.6V$, $I_O = 100\mu A$	Full		0.005	V	
			$V_{CC} = 1.65V$, $I_O = 4mA$	Full		0.05		0.20
			$V_{CC} = 2.3V$, $I_O = 8mA$	Full		0.09		0.25
			$V_{CC} = 2.7V$, $I_O = 12mA$	Full		0.12		0.30
			$V_{CC} = 3.0V$, $I_O = 24mA$	Full		0.24		0.55
Input Leakage Current	I_I	$V_{CC} = 3.6V$, $V_I = 5.5V$ or GND	Full		± 0.05	± 10	μA	
Supply Current	I_{CC}	$V_{CC} = 3.6V$, $V_I = V_{CC}$ or GND, $I_O = 0A$	Full		0.05	20	μA	
Additional Supply Current	ΔI_{CC}	Per input pin, $V_{CC} = 2.7V$ to $3.6V$, $V_I = V_{CC} - 0.6V$, $I_O = 0A$	Full		0.1	4000	μA	
Input Capacitance	C_I	$V_{CC} = 0V$ to $3.6V$, $V_I = GND$ to V_{CC}	+25°C		6		pF	

DYNAMIC CHARACTERISTICS

(For test circuit, see Figure 1. All typical values are measured at $T_A = +25^\circ\text{C}$ and $V_{CC} = 1.2\text{V}, 1.65\text{V}, 1.95\text{V}, 2.3\text{V}, 2.7\text{V}, 3.0\text{V}$ and 3.6V respectively, unless otherwise noted.)

PARAMETER	SYMBOL	CONDITIONS	TEMP	MIN	TYP	MAX	UNITS
Propagation Delay ⁽¹⁾	t_{PD}	nA to nY, see Figure 2	$V_{CC} = 1.2\text{V}$	$+25^\circ\text{C}$		14	ns
			$V_{CC} = 1.65\text{V to }1.95\text{V}$	$+25^\circ\text{C}$		7	
			$V_{CC} = 2.3\text{V to }2.7\text{V}$	$+25^\circ\text{C}$		5	
			$V_{CC} = 2.7\text{V}$	$+25^\circ\text{C}$		4.5	
			$V_{CC} = 3.0\text{V to }3.6\text{V}$	$+25^\circ\text{C}$		4	
Output Skew Time	$t_{SK(O)}$	$V_{CC} = 3.0\text{V to }3.6\text{V}$	$+25^\circ\text{C}$		0.5		ns
Power Dissipation Capacitance ⁽²⁾	C_{PD}	Per input, $V_I = \text{GND to } V_{CC}$	$V_{CC} = 1.65\text{V to }1.95\text{V}$	$+25^\circ\text{C}$		13	pF
			$V_{CC} = 2.3\text{V to }2.7\text{V}$	$+25^\circ\text{C}$		13	
			$V_{CC} = 3.0\text{V to }3.6\text{V}$	$+25^\circ\text{C}$		13	

NOTES:

- t_{PD} is the same as t_{PLH} and t_{PHL} .
- C_{PD} is used to determine the dynamic power dissipation (P_D in μW).

$$P_D = C_{PD} \times V_{CC}^2 \times f_i \times N + \Sigma(C_L \times V_{CC}^2 \times f_o)$$

where:

f_i = input frequency in MHz.

f_o = output frequency in MHz.

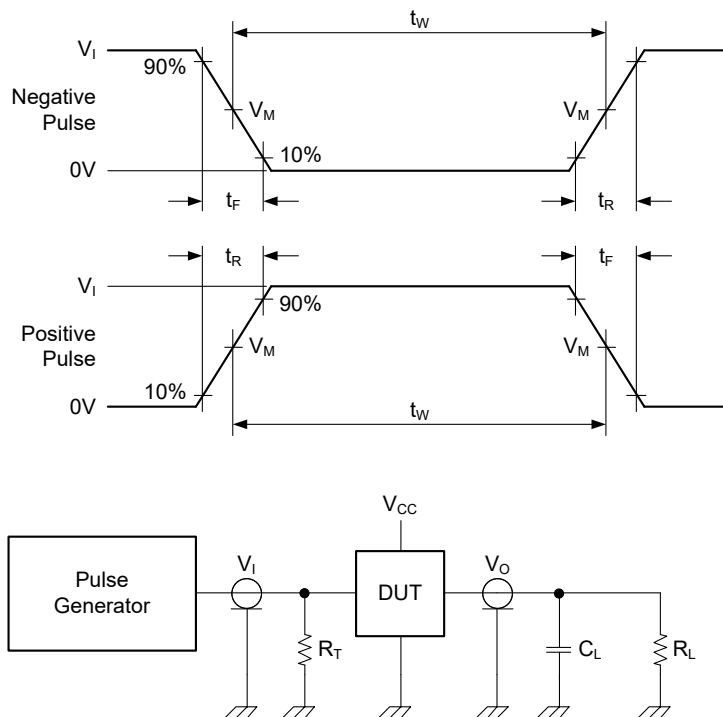
C_L = output load capacitance in pF.

V_{CC} = supply voltage in Volts.

N = number of inputs switching.

$\Sigma(C_L \times V_{CC}^2 \times f_o)$ = sum of the outputs.

TEST CIRCUIT



Test conditions are given in Table 1.

Definitions for test circuit:

R_L = Load resistance.

C_L = Load capacitance including jig and probe capacitance.

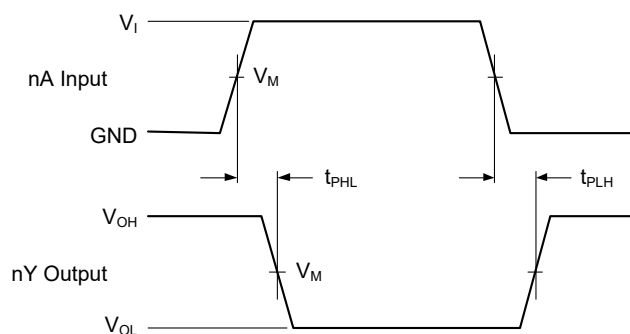
R_T = Termination resistance should be equal to output impedance Z_O of the pulse generator.

Figure 1. Test Circuit for Measuring Switching Times

Table 1. Test Conditions

SUPPLY VOLTAGE	INPUT		LOAD	
V_{CC}	V_I	t_R, t_F	C_L	R_L
1.2V	V_{CC}	$\leq 2\text{ns}$	30pF	1k Ω
1.65V to 1.95V	V_{CC}	$\leq 2\text{ns}$	30pF	1k Ω
2.3V to 2.7V	V_{CC}	$\leq 2\text{ns}$	30pF	500 Ω
2.7V	2.7V	$\leq 2.5\text{ns}$	50pF	500 Ω
3.0V to 3.6V	2.7V	$\leq 2.5\text{ns}$	50pF	500 Ω

WAVEFORMS



Test conditions are given in Table 1.

$V_M = 1.5V$ at $V_{CC} \geq 2.7V$.

$V_M = 0.5 \times V_{CC}$ at $V_{CC} < 2.7V$.

Logic levels: V_{OL} and V_{OH} are typical voltage output levels that occur with the output load.

Figure 2. Input nA to Output nY Propagation Delays

REVISION HISTORY

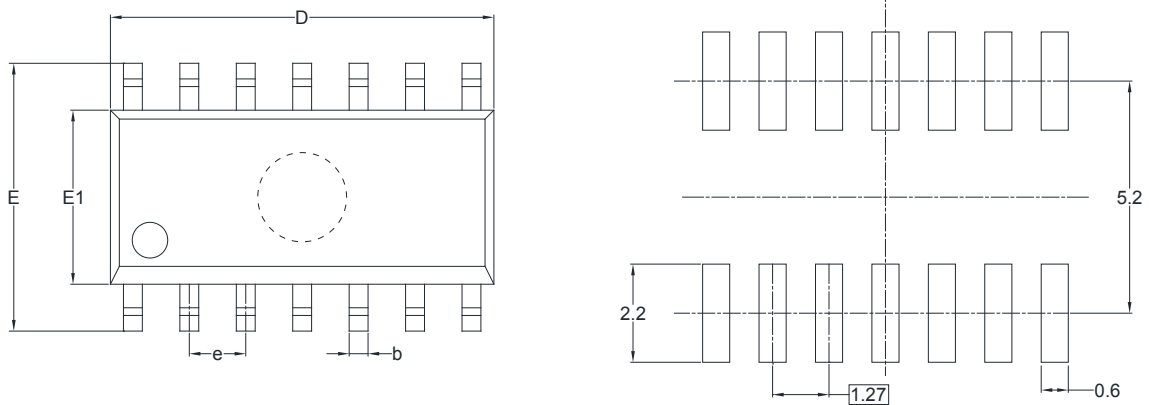
NOTE: Page numbers for previous revisions may differ from page numbers in the current version.

Changes from Original (APRIL 2021) to REV.A	Page
Changed from product preview to production data.....	All

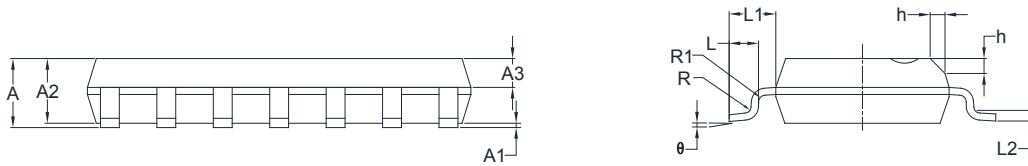
PACKAGE INFORMATION

PACKAGE OUTLINE DIMENSIONS

SOIC-14



RECOMMENDED LAND PATTERN (Unit: mm)

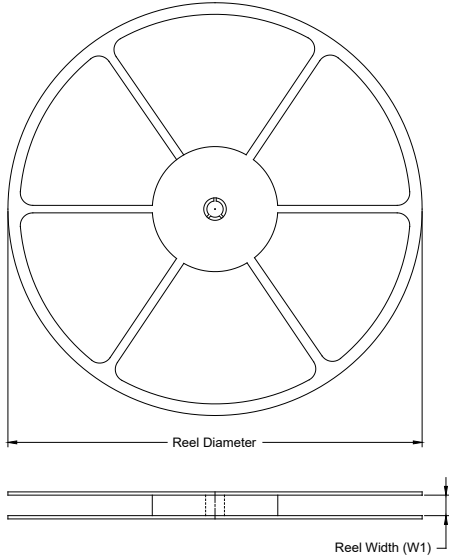


Symbol	Dimensions In Millimeters		Dimensions In Inches	
	MIN	MAX	MIN	MAX
A	1.35	1.75	0.053	0.069
A1	0.10	0.25	0.004	0.010
A2	1.25	1.65	0.049	0.065
A3	0.55	0.75	0.022	0.030
b	0.36	0.49	0.014	0.019
D	8.53	8.73	0.336	0.344
E	5.80	6.20	0.228	0.244
E1	3.80	4.00	0.150	0.157
e	1.27 BSC		0.050 BSC	
L	0.45	0.80	0.018	0.032
L1	1.04 REF		0.040 REF	
L2	0.25 BSC		0.01 BSC	
R	0.07		0.003	
R1	0.07		0.003	
h	0.30	0.50	0.012	0.020
θ	0°	8°	0°	8°

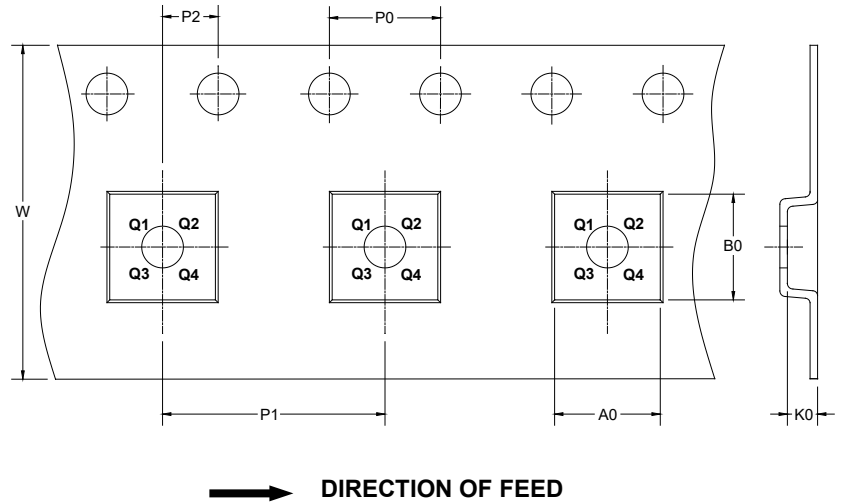
PACKAGE INFORMATION

TAPE AND REEL INFORMATION

REEL DIMENSIONS



TAPE DIMENSIONS



NOTE: The picture is only for reference. Please make the object as the standard.

KEY PARAMETER LIST OF TAPE AND REEL

Package Type	Reel Diameter	Reel Width W1 (mm)	A0 (mm)	B0 (mm)	K0 (mm)	P0 (mm)	P1 (mm)	P2 (mm)	W (mm)	Pin1 Quadrant
SOIC-14	13"	16.4	6.60	9.30	2.10	4.0	8.0	2.0	16.0	Q1

DD0001

PACKAGE INFORMATION

CARTON BOX DIMENSIONS



NOTE: The picture is only for reference. Please make the object as the standard.

KEY PARAMETER LIST OF CARTON BOX

Reel Type	Length (mm)	Width (mm)	Height (mm)	Pizza/Carton
13"	386	280	370	5

DD0002