

74LVTH16244/74LVTN16244

3.3V, 16-Bit Buffers/Line Drivers

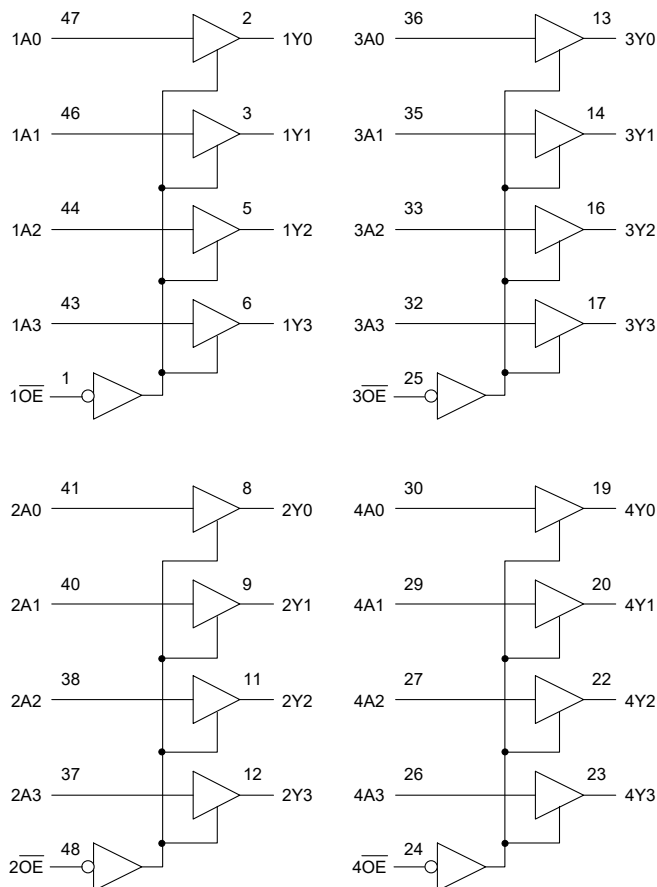
with 3-State Outputs

GENERAL DESCRIPTION

The 74LVTH16244 and 74LVTN16244 are high-performance products with non-inverting 3-state bus outputs and they are designed for 3.3V V_{CC} operation. These devices are organized as four 4-bit buffers, two 8-bit buffers, or one 16-bit buffer with separate output enable inputs ($n\overline{OE}$). When $n\overline{OE}$ is low, these devices pass data from the nA_n inputs to the nY_n outputs. When $n\overline{OE}$ is high, the outputs are in the high-impedance state.

The 74LVTH16244 bus hold on data inputs eliminates the need for external pull-up/pull-down resistors to hold unused inputs.

LOGIC DIAGRAM



FEATURES

- 16-Bit Bus Interface
- 3-State Buffers
- Output Capability: +64mA/-32mA
- TTL Input and Output Switching Levels
- Input and Output Interface Capability to Systems at 5V Supply
- 74LVTH16244: Bus Hold on Data Inputs Eliminates the Need for External Pull-Up/Pull-Down Resistors
- Live Insertion and Extraction Permitted
- Power-Up 3-State
- No Bus Current Loading When Output is Tied to 5V Bus
- -40°C to +125°C Operating Temperature Range
- Available in a Green TSSOP-48 Package

FUNCTION TABLE

CONTROL INPUT	INPUT	OUTPUT
$n\overline{OE}$	nA_n	nY_n
L	L	L
L	H	H
H	X	Z

H = High Voltage Level

L = Low Voltage Level

Z = High-Impedance State

X = Don't Care

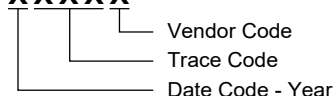
PACKAGE/ORDERING INFORMATION

MODEL	PACKAGE DESCRIPTION	SPECIFIED TEMPERATURE RANGE	ORDERING NUMBER	PACKAGE MARKING	PACKING OPTION
74LVTH16244	TSSOP-48	-40°C to +125°C	74LVTH16244XTS48G/TR	74LVTH16244 XTS48 XXXXX	Tape and Reel, 2500
74LVTN16244	TSSOP-48	-40°C to +125°C	74LVTN16244XTS48G/TR	74LVTN16244 XTS48 XXXXX	Tape and Reel, 2500

MARKING INFORMATION

NOTE: XXXXX = Date Code, Trace Code and Vendor Code.

XXXXX



Green (RoHS & HSF): SG Micro Corp defines "Green" to mean Pb-Free (RoHS compatible) and free of halogen substances. If you have additional comments or questions, please contact your SGMICRO representative directly.

ABSOLUTE MAXIMUM RATINGS ⁽¹⁾

Supply Voltage, V_{CC}	-0.5V to 4.6V
Input Voltage, V_I ⁽²⁾	-0.5V to 7V
Output Voltage, V_O ⁽²⁾	
Output in 3-State or High-State	-0.5V to 7V
Input Clamping Current, I_{IK} ($V_I < 0V$)	-50mA
Output Clamping Current, I_{OK} ($V_O < 0V$)	-50mA
Output Current, I_O	
Output in High-State	-64mA
Output in Low-State	128mA
Supply Current, I_{CC}	128mA
Ground Current, I_{GND}	-256mA
Junction Temperature ⁽³⁾	+150°C
Storage Temperature Range	-65°C to +150°C
Lead Temperature (Soldering, 10s)	+260°C
ESD Susceptibility	
HBM.....	8000V
CDM	1000V

RECOMMENDED OPERATING CONDITIONS

Supply Voltage, V_{CC}	2.7V to 3.6V
Input Voltage, V_I	0V to 5.5V
High-Level Output Current, I_{OH}	-32mA
Low-Level Output Current, I_{OL}	64mA
Input Transition Rise and Fall Rate, $\Delta t/\Delta V$	
.....	10ns/V (MAX)
Operating Temperature Range	-40°C to +125°C

OVERSTRESS CAUTION

1. Stresses beyond those listed in Absolute Maximum Ratings may cause permanent damage to the device. Exposure to absolute maximum rating conditions for extended periods may affect reliability. Functional operation of the device at any conditions beyond those indicated in the Recommended Operating Conditions section is not implied.
2. The input and output negative voltage ratings may be exceeded if the input and output clamp current ratings are observed.
3. The performance capability of a high-performance integrated circuit in conjunction with its thermal environment can create junction temperatures which are detrimental to reliability.

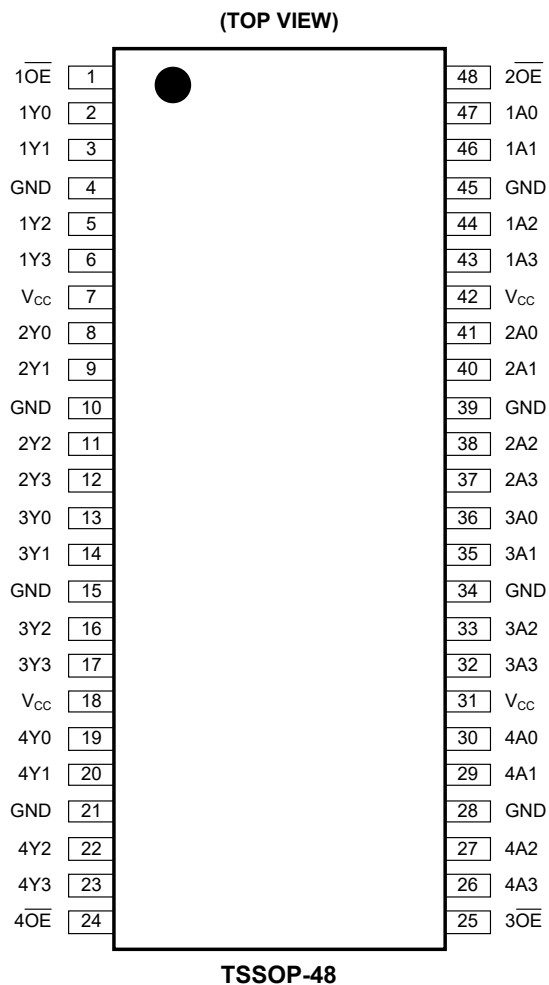
ESD SENSITIVITY CAUTION

This integrated circuit can be damaged if ESD protections are not considered carefully. SGMICRO recommends that all integrated circuits be handled with appropriate precautions. Failure to observe proper handling and installation procedures can cause damage. ESD damage can range from subtle performance degradation to complete device failure. Precision integrated circuits may be more susceptible to damage because even small parametric changes could cause the device not to meet the published specifications.

DISCLAIMER

SG Micro Corp reserves the right to make any change in circuit design, or specifications without prior notice.

PIN CONFIGURATION



PIN DESCRIPTION

PIN	NAME	FUNCTION
1, 48, 25, 24	1OE, 2OE, 3OE, 4OE	Output Enable Inputs (Active Low).
2, 3, 5, 6	1Y0, 1Y1, 1Y2, 1Y3	Data Outputs.
8, 9, 11, 12	2Y0, 2Y1, 2Y2, 2Y3	Data Outputs.
13, 14, 16, 17	3Y0, 3Y1, 3Y2, 3Y3	Data Outputs.
19, 20, 22, 23	4Y0, 4Y1, 4Y2, 4Y3	Data Outputs.
4, 10, 15, 21, 28, 34, 39, 45	GND	Ground.
7, 18, 31, 42	V _{CC}	Supply Voltage.
47, 46, 44, 43	1A0, 1A1, 1A2, 1A3	Data Inputs.
41, 40, 38, 37	2A0, 2A1, 2A2, 2A3	Data Inputs.
36, 35, 33, 32	3A0, 3A1, 3A2, 3A3	Data Inputs.
	4A0, 4A1, 4A2, 4A3	Data Inputs.

ELECTRICAL CHARACTERISTICS

(Full = -40°C to +125°C, all typical values are measured at $V_{CC} = 3.3V$ and $T_A = +25^\circ C$, unless otherwise noted.)

PARAMETER	SYMBOL	CONDITIONS	TEMP	MIN	TYP	MAX	UNITS	
Input Clamping Voltage	V_{IK}	$V_{CC} = 2.7V, I_{IK} = -18mA$	Full	-1.2	-0.78		V	
High-Level Input Voltage	V_{IH}	$V_{CC} = 2.7V$ to 3.6V	Full	2			V	
Low-Level Input Voltage	V_{IL}	$V_{CC} = 2.7V$ to 3.6V	Full			0.8	V	
High-Level Output Voltage	V_{OH}	$I_{OH} = -100\mu A, V_{CC} = 2.7V$ to 3.6V	Full	$V_{CC} - 0.05$	$V_{CC} - 0.001$		V	
		$I_{OH} = -8mA, V_{CC} = 2.7V$	Full	2.45	2.6			
		$I_{OH} = -32mA, V_{CC} = 3.0V$	Full	2.1	2.65			
Low-Level Output Voltage	V_{OL}	$V_{CC} = 2.7V$	$I_{OL} = 100\mu A$	Full		0.001	0.05	V
			$I_{OL} = 24mA$	Full		0.15	0.28	
		$V_{CC} = 3.0V$	$I_{OL} = 16mA$	Full		0.1	0.18	
			$I_{OL} = 32mA$	Full		0.2	0.36	
			$I_{OL} = 64mA$	Full		0.4	0.55	
Input Leakage Current	I_I	Control pins, $V_{CC} = 3.6V, V_I = V_{CC}$ or GND	Full		± 0.01	± 1	μA	
		Control pins, $V_{CC} = 0V$ or 3.6V, $V_I = 5.5V$	Full		0.01	5		
		Input data pins ⁽¹⁾ , $V_{CC} = 0V$ or 3.6V, $V_I = 5.5V$	Full		0.4	5		
		Input data pins ⁽¹⁾ , $V_{CC} = 3.6V, V_I = V_{CC}$	Full		0.3	2		
		Input data pins ⁽¹⁾ , $V_{CC} = 3.6V, V_I = GND$	Full	-2	-0.01			
Off-State Output Current	I_{OZ}	$V_{CC} = 3.6V$	$V_O = 3.0V$	Full		0.01	2	μA
			$V_O = 0.5V$	Full	-2	-0.01		
Output Leakage Current	I_{LO}	Output in high-state when $V_O > V_{CC}$, $V_O = 5.5V, V_{CC} = 3.0V$	Full		1	30	μA	
Power-Up/Down Output Current	$I_{O_PU/PD}$	$V_{CC} \leq 1.2V, V_O = 0.5V$ to $V_{CC}, V_I = GND$ or V_{CC} , $nOE = \text{don't care}$	+25°C		0.01	10	μA	
Power-Off Leakage Current	I_{OFF}	$V_{CC} = 0V, V_I$ or $V_O = 0V$ to 5.5V	Full		0.01	10	μA	
Supply Current	I_{CC}	$V_{CC} = 3.6V,$ $V_I = GND$ or $V_{CC},$ $I_O = 0A$	Output high	Full		12	80	μA
			Output low	Full		12	80	
			Outputs disabled ⁽²⁾	Full		12	80	
Additional Supply Current ⁽³⁾	ΔI_{CC}	Per input pin, $V_{CC} = 3.0V$ to 3.6V, one input at $V_{CC} - 0.6V$, other inputs at V_{CC} or GND	Full		0.2	200	μA	
Input Capacitance	C_I	$V_I = 0V$ or 3.0V	+25°C		6		pF	
Output Capacitance	C_O	Outputs disabled, $V_O = 0V$ or 3.0V	+25°C		9		pF	
74LVTH16244 Only								
Bus Hold Low Current	I_{BHL}	$V_{CC} = 3.0V, V_I = 0.8V$	Full	50	100		μA	
Bus Hold High Current	I_{BHH}	$V_{CC} = 3.0V, V_I = 2.0V$	Full		-130	-75	μA	
Bus Hold Low Overdrive Current ⁽⁴⁾	I_{BHLO}	Input data pins, $V_I = 0V$ to 3.6V, $V_{CC} = 3.6V$	Full	500	200		μA	
Bus Hold High Overdrive Current ⁽⁴⁾	I_{BHHO}	Input data pins, $V_I = 0V$ to 3.6V, $V_{CC} = 3.6V$	Full		-280	-500	μA	

NOTES:

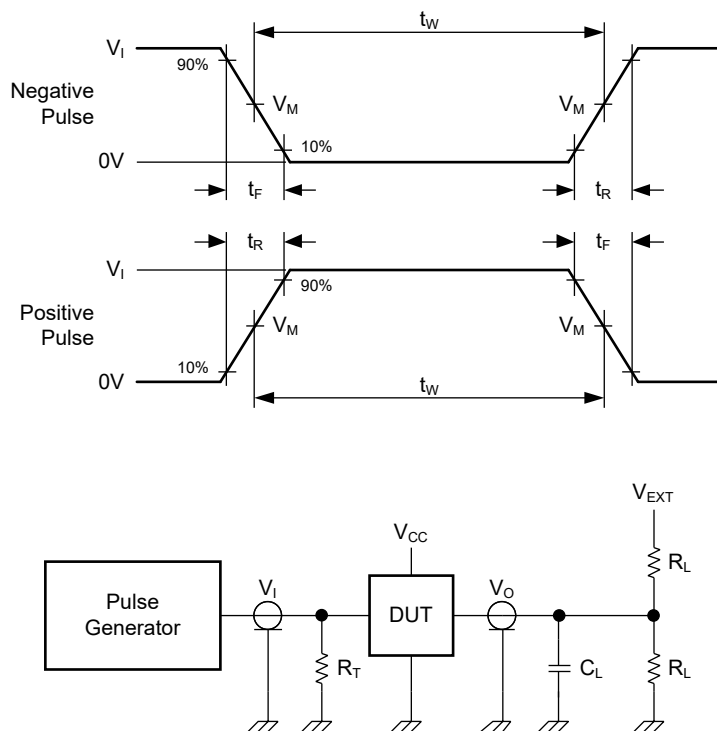
1. Unused pins at V_{CC} or GND.
2. I_{CC} is measured with outputs pulled to V_{CC} or GND.
3. This is the increase in supply current for each input at the specified voltage level other than V_{CC} or GND.
4. This is the bus hold overdrive current required to force the input to the opposite logic state.

DYNAMIC CHARACTERISTICS

(For test circuit, see Figure 1. All typical values are measured at $V_{CC} = 3.3V$ and $T_A = +25^\circ C$, unless otherwise noted.)

PARAMETER	SYMBOL	CONDITIONS	TEMP	MIN	TYP	MAX	UNITS
Low to High Propagation Delay	t_{PLH}	nAn to nYn, See Figure 2	$V_{CC} = 2.7V$	+25°C	4.3		ns
			$V_{CC} = 3.0V$ to 3.6V	+25°C	4.3		
High to Low Propagation Delay	t_{PHL}	nAn to nYn, See Figure 2	$V_{CC} = 2.7V$	+25°C	3.9		ns
			$V_{CC} = 3.0V$ to 3.6V	+25°C	3.7		
Off-State to High Propagation Delay	t_{PZH}	\overline{nOE} to nYn, See Figure 3	$V_{CC} = 2.7V$	+25°C	5.3		ns
			$V_{CC} = 3.0V$ to 3.6V	+25°C	4.9		
Off-State to Low Propagation Delay	t_{PZL}	\overline{nOE} to nYn, See Figure 3	$V_{CC} = 2.7V$	+25°C	5		ns
			$V_{CC} = 3.0V$ to 3.6V	+25°C	4.9		
High to Off-State Propagation Delay	t_{PHZ}	\overline{nOE} to nYn, See Figure 3	$V_{CC} = 2.7V$	+25°C	4.9		ns
			$V_{CC} = 3.0V$ to 3.6V	+25°C	4.6		
Low to Off-State Propagation Delay	t_{PLZ}	\overline{nOE} to nYn, See Figure 3	$V_{CC} = 2.7V$	+25°C	5.4		ns
			$V_{CC} = 3.0V$ to 3.6V	+25°C	5.4		

TEST CIRCUIT



Test conditions are given in Table 1.

Definitions for test circuit:

R_L = Load resistance.

C_L = Load capacitance including jig and probe capacitance.

R_T = Termination resistance should be equal to output impedance Z_O of the pulse generator.

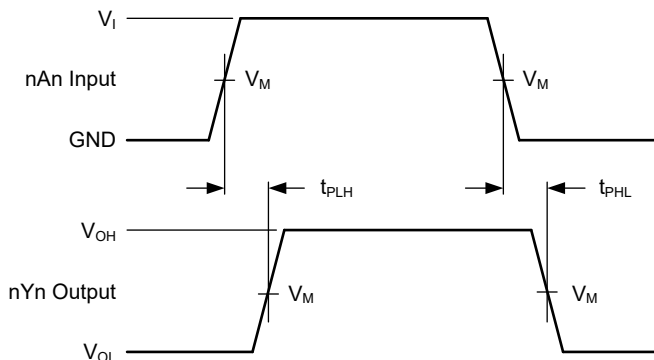
V_{EXT} = External voltage for measuring switching times.

Figure 1. Test Circuit for Measuring Switching Times

Table 1. Test Conditions

SUPPLY VOLTAGE	INPUT				LOAD		V_{EXT}		
V_{CC}	V_I	f_i	t_w	t_R, t_F	C_L	R_L	t_{PHZ}, t_{PZH}	t_{PLZ}, t_{PZL}	t_{PLH}, t_{PHL}
2.7V to 3.6V	2.7V	$\leq 10\text{MHz}$	500ns	$\leq 2.5\text{ns}$	50pF	500 Ω	GND	6V	Open

WAVEFORMS

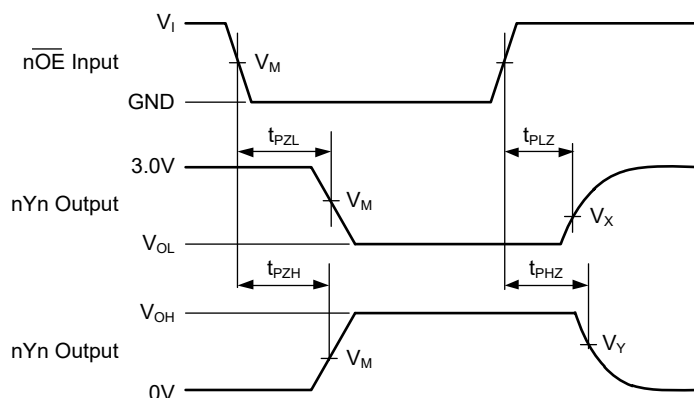


Test conditions are given in Table 1.

Measurement points are given in Table 2.

Logic levels: V_{OL} and V_{OH} are typical output voltage levels that occur with the output load.

Figure 2. Input (nAn) to Output (nYn) Propagation Delays



Test conditions are given in Table 1.

Measurement points are given in Table 2.

Logic levels: V_{OL} and V_{OH} are typical output voltage levels that occur with the output load.

Figure 3. Enable and Disable Times

Table 2. Measurement Points

SUPPLY VOLTAGE	INPUT		OUTPUT		
V_{CC}	V_I	V_M	V_M	V_X	V_Y
2.7V to 3.6V	2.7V	1.5V	1.5V	$V_{OL} + 0.3V$	$V_{OH} - 0.3V$

REVISION HISTORY

NOTE: Page numbers for previous revisions may differ from page numbers in the current version.

Changes from Original (MARCH 2021) to REV.A

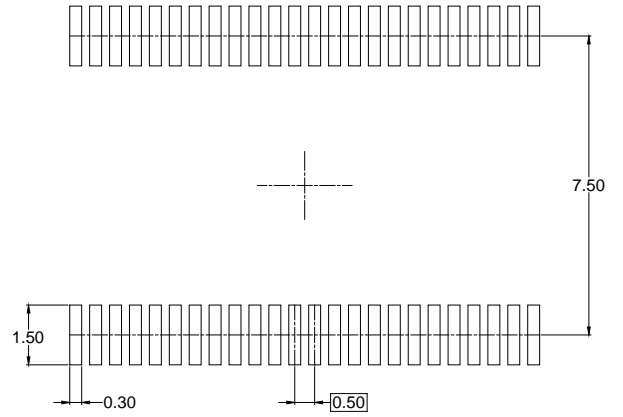
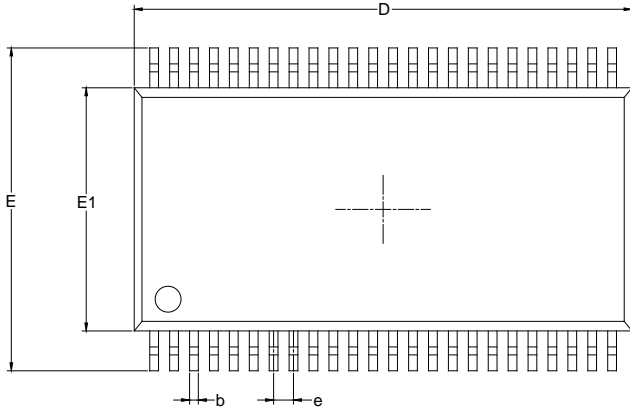
Page

Changed from product preview to production data.....	All
--	-----

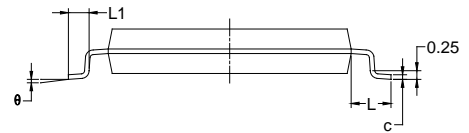
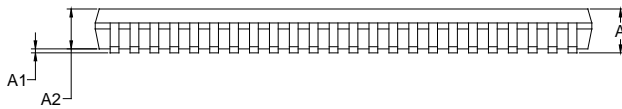
PACKAGE INFORMATION

PACKAGE OUTLINE DIMENSIONS

TSSOP-48



RECOMMENDED LAND PATTERN (Unit: mm)

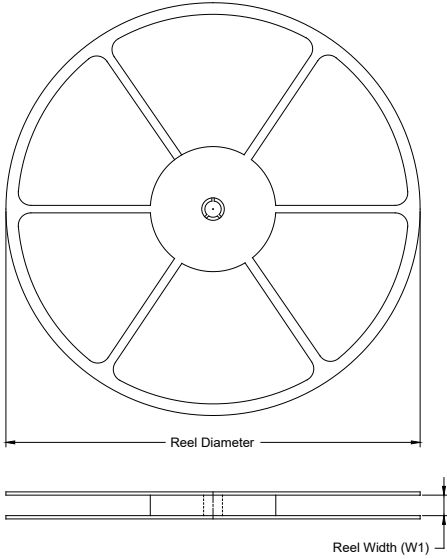


Symbol	Dimensions In Millimeters		
	MIN	MOD	MAX
A			1.20
A1	0.05	0.10	0.15
A2	0.85	0.95	1.05
b	0.18		0.26
c	0.15		0.19
D	12.40	12.50	12.60
E	7.90	8.10	8.30
E1	6.00	6.10	6.20
e	0.50 BSC		
L	1.00 REF		
L1	0.45		0.75
θ	0°		8°

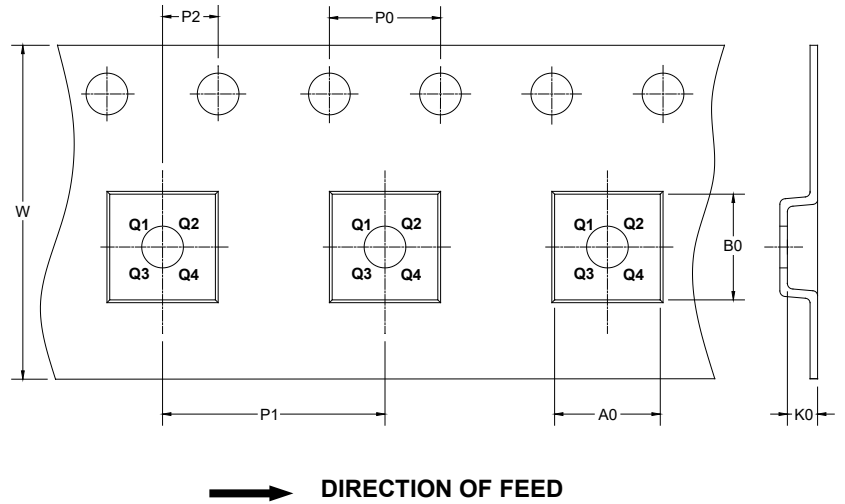
PACKAGE INFORMATION

TAPE AND REEL INFORMATION

REEL DIMENSIONS



TAPE DIMENSIONS



NOTE: The picture is only for reference. Please make the object as the standard.

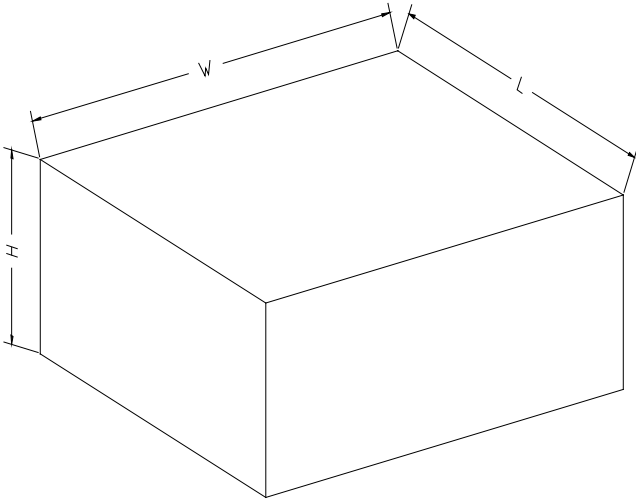
KEY PARAMETER LIST OF TAPE AND REEL

Package Type	Reel Diameter	Reel Width W1 (mm)	A0 (mm)	B0 (mm)	K0 (mm)	P0 (mm)	P1 (mm)	P2 (mm)	W (mm)	Pin1 Quadrant
TSSOP-48	13"	24.4	8.60	13.00	1.80	4.0	12.0	2.0	24.0	Q1

000001

PACKAGE INFORMATION

CARTON BOX DIMENSIONS



NOTE: The picture is only for reference. Please make the object as the standard.

KEY PARAMETER LIST OF CARTON BOX

Reel Type	Length (mm)	Width (mm)	Height (mm)	Pizza/Carton
13"	386	280	370	5

DD0002