

# Low Voltage, Supervisory Circuit with Watchdog and Manual Reset in 5-Lead SOT-23

Data Sheet

ADM6823

## FEATURES

- Precision low voltage monitoring
- 9 reset threshold options: 1.58 V to 4.63 V (typical)
- 140 ms (minimum) reset timeout
- Watchdog timer with 1.6 sec timeout (typical)
- Manual reset input
- Reset output stage
  - Push-pull active-low
- Low power consumption: 7  $\mu$ A (typical)
- Guaranteed reset output valid to  $V_{CC} = 1$  V
- Power supply glitch immunity
- Specified from  $-40^{\circ}\text{C}$  to  $+125^{\circ}\text{C}$
- 5-lead SOT-23 package

## APPLICATIONS

- Microprocessor systems
- Computers
- Controllers
- Intelligent instruments
- Portable equipment

## GENERAL DESCRIPTION

The [ADM6823](#) is a low voltage, supervisory circuit that monitors power supply voltage levels and code execution integrity in microprocessor-based systems. As well as providing power-on reset signals, an on-chip watchdog timer can reset the microprocessor if it fails to strobe within a preset timeout period. A reset signal can also be asserted by means of an external push-button through a manual reset input.

## FUNCTIONAL BLOCK DIAGRAM

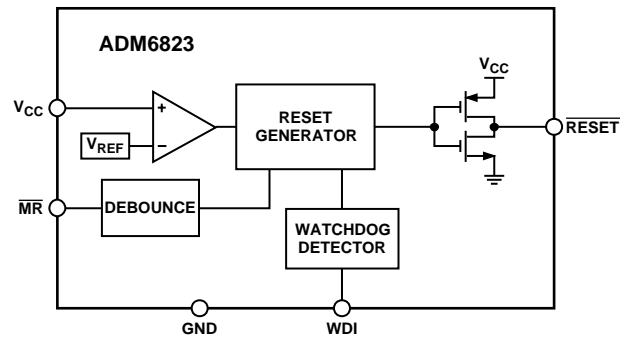


Figure 1.

The part is available in nine reset threshold options, ranging from 1.58 V to 4.63 V (typical). The reset and watchdog timeout periods are fixed at 140 ms (minimum) and 1.6 sec (typical), respectively. Not all device models are released for sale as standard models. See the Ordering Guide for details.

The [ADM6823](#) is available in a 5-lead SOT-23 package and typically consumes only 7  $\mu$ A, making it suitable for use in low power, portable applications.

Rev. E

[Document Feedback](#)

Information furnished by Analog Devices is believed to be accurate and reliable. However, no responsibility is assumed by Analog Devices for its use, nor for any infringements of patents or other rights of third parties that may result from its use. Specifications subject to change without notice. No license is granted by implication or otherwise under any patent or patent rights of Analog Devices. Trademarks and registered trademarks are the property of their respective owners.

04635-001

## TABLE OF CONTENTS

Features .....	1
Applications .....	1
Functional Block Diagram .....	1
General Description .....	1
Revision History .....	2
Specifications .....	3
Absolute Maximum Ratings .....	4
ESD Caution .....	4
Pin Configuration and Function Descriptions .....	5
Typical Performance Characteristics .....	6

## REVISION HISTORY

### 2/2018—Rev. D to Rev. E

Changes to General Description Section .....	1
Added Note 1, Table 1 .....	3
Changes to Figure 17 and Ordering Guide .....	10

### 7/2015—Rev. C to Rev. D

Change to Figure 12 .....	8
---------------------------	---

### 2/2015—Rev. B to Rev. C

Deleted ADM6824/ADM6825 (Throughout) .....	1
Deleted Table 1; Renumbered Sequentially .....	1
Deleted Figure 3 and Figure 4; Renumbered Sequentially .....	6
Changes to Figure 4, Figure 5, Figure 7, and Figure 8 .....	7
Changes to Ordering Guide .....	12

Theory of Operation .....	8
Reset Output .....	8
Manual Reset Input .....	8
Watchdog Input .....	8
Application Information .....	9
Watchdog Input Current .....	9
Negative-Going $V_{CC}$ Transients .....	9
Ensuring Reset Valid to $V_{CC} = 0 V$ .....	9
Watchdog Software Considerations .....	9
Outline Dimensions .....	10
Ordering Guide .....	10

### 2/2013—Rev. A to Rev. B

Updated Outline Dimensions .....	11
Changes to Ordering Guide .....	12
Deleted Automotive Products Section .....	12

### 9/2012—Rev. 0 to Rev. A

Removed ADM6821/ADM6822 (Throughout) .....	1
Updated Outline Dimensions .....	11
Changes to Ordering Guide .....	11
Added Automotive Products Section .....	11

### 6/2005—Revision 0: Initial Version

## SPECIFICATIONS

$V_{CC} = 4.5\text{ V}$  to  $5.5\text{ V}$  for [ADM6823L/ADM6823M](#);  $V_{CC} = 2.7\text{ V}$  to  $3.6\text{ V}$  for [ADM6823T/ADM6823S/ADM6823R](#);  $V_{CC} = 2.1\text{ V}$  to  $2.75\text{ V}$  for [ADM6823Z/ADM6823Y](#);  $V_{CC} = 1.53\text{ V}$  to  $2.0\text{ V}$  for [ADM6823W/ADM6823V](#);  $T_A = -40^\circ\text{C}$  to  $+125^\circ\text{C}$ , unless otherwise noted.

Table 1.

Parameter	Min	Typ	Max	Unit	Test Conditions/Comments
SUPPLY					
$V_{CC}$ Operating Voltage Range	1		5.5	V	
Supply Current		10	20	$\mu\text{A}$	WDI and $\overline{\text{MR}}$ unconnected, $V_{CC} = 5.5\text{ V}$
		7	16	$\mu\text{A}$	WDI and $\overline{\text{MR}}$ unconnected, $V_{CC} = 3.6\text{ V}$
RESET THRESHOLD VOLTAGE <sup>1</sup>					
<a href="#">ADM6823L</a>	4.50	4.63	4.75	V	
<a href="#">ADM6823M</a>	4.25	4.38	4.50	V	
<a href="#">ADM6823T</a>	3.00	3.08	3.15	V	
<a href="#">ADM6823S</a>	2.85	2.93	3.00	V	
<a href="#">ADM6823R</a>	2.55	2.63	2.70	V	
<a href="#">ADM6823Z</a>	2.25	2.32	2.38	V	
<a href="#">ADM6823Y</a>	2.12	2.19	2.25	V	
<a href="#">ADM6823W</a>	1.62	1.67	1.71	V	
<a href="#">ADM6823V</a>	1.52	1.58	1.62	V	
RESET THRESHOLD TEMPERATURE COEFFICIENT		60		ppm/ $^\circ\text{C}$	
RESET THRESHOLD HYSTERESIS		$2 \times V_{TH}$		mV	
$V_{CC}$ TO RESET DELAY		20		$\mu\text{s}$	$V_{TH} - V_{CC} = 100\text{ mV}$
RESET TIMEOUT PERIOD	140	200	280	ms	
RESET OUTPUT VOLTAGE					
$V_{OL}$ (Push-Pull)			0.3	V	$V_{CC} \geq 1\text{ V}$ , $I_{SINK} = 50\text{ }\mu\text{A}$
			0.3	V	$V_{CC} \geq 1.2\text{ V}$ , $I_{SINK} = 100\text{ }\mu\text{A}$
			0.3	V	$V_{CC} \geq 2.55\text{ V}$ , $I_{SINK} = 1.2\text{ mA}$
			0.4	V	$V_{CC} \geq 4.25\text{ V}$ , $I_{SINK} = 3.2\text{ mA}$
$V_{OH}$ (Push-Pull Only)	$0.8 \times V_{CC}$			V	$V_{CC} \geq 1.8\text{ V}$ , $I_{SOURCE} = 200\text{ }\mu\text{A}$
	$0.8 \times V_{CC}$			V	$V_{CC} \geq 3.15\text{ V}$ , $I_{SOURCE} = 500\text{ }\mu\text{A}$
	$0.8 \times V_{CC}$			V	$V_{CC} \geq 4.75\text{ V}$ , $I_{SOURCE} = 800\text{ }\mu\text{A}$
MANUAL RESET INPUT					
$\overline{\text{MR}}$ Input Threshold			$0.3 \times V_{CC}$	V	
$V_{IL}$				V	
$V_{IH}$	$0.7 \times V_{CC}$			V	
$\overline{\text{MR}}$ Input Pulse Width	1			$\mu\text{s}$	
$\overline{\text{MR}}$ Glitch Rejection		100		ns	
$\overline{\text{MR}}$ to Reset Delay		200		ns	
$\overline{\text{MR}}$ Pull-Up Resistance	25	50	75	k $\Omega$	
WATCHDOG INPUT					
Watchdog Timeout Period	1.12	1.6	2.40	sec	
WDI Pulse Width	50			ns	
WDI Input Threshold			$0.3 \times V_{CC}$	V	
$V_{IL}$				V	
$V_{IH}$	$0.7 \times V_{CC}$			V	
WDI Input Current		120	160	$\mu\text{A}$	$V_{WDI} = V_{CC}$
	-20	-15		$\mu\text{A}$	$V_{WDI} = 0$

<sup>1</sup> Not all models are released for sale as standard models. See the Ordering Guide for details.

## ABSOLUTE MAXIMUM RATINGS

$T_A = 25^\circ\text{C}$ , unless otherwise noted.

Table 2.

Parameter	Rating
$V_{CC}$	-0.3 V to +6 V
Output Current ( $\overline{\text{RESET}}$ )	20 mA
Operating Temperature Range	-40°C to +125°C
Storage Temperature Range	-65°C to +150°C
$\theta_{JA}$ Thermal Impedance	170°C/W
Soldering Temperature	
Sn/Pb	240°C, 30 sec
RoHS Compliant	260°C, 40 sec

Stresses at or above those listed under Absolute Maximum Ratings may cause permanent damage to the product. This is a stress rating only; functional operation of the product at these or any other conditions above those indicated in the operational section of this specification is not implied. Operation beyond the maximum operating conditions for extended periods may affect product reliability.

### ESD CAUTION



**ESD (electrostatic discharge) sensitive device.** Charged devices and circuit boards can discharge without detection. Although this product features patented or proprietary protection circuitry, damage may occur on devices subjected to high energy ESD. Therefore, proper ESD precautions should be taken to avoid performance degradation or loss of functionality.

## PIN CONFIGURATION AND FUNCTION DESCRIPTIONS

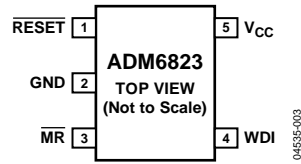


Figure 2. ADM6823 Pin Configuration

Table 3. Pin Function Descriptions

Pin No.	Mnemonic	Description
1	RESET	Active-Low Reset Push-Pull Output Stage. Asserted whenever $V_{CC}$ is below the reset threshold, $V_{TH}$ .
2	GND	Ground.
3	MR	Manual Reset Input. This is an active-low input, which, when forced low for at least 1 $\mu$ s, generates a reset. This input features a 50 k $\Omega$ internal pull-up.
4	WDI	Watchdog Input. Generates a reset if the voltage on the pin remains low or high for the duration of the watchdog timeout. The timer is cleared if a logic transition occurs on this pin or if a reset is generated.
5	V <sub>CC</sub>	Power Supply Voltage Being Monitored.

TYPICAL PERFORMANCE CHARACTERISTICS

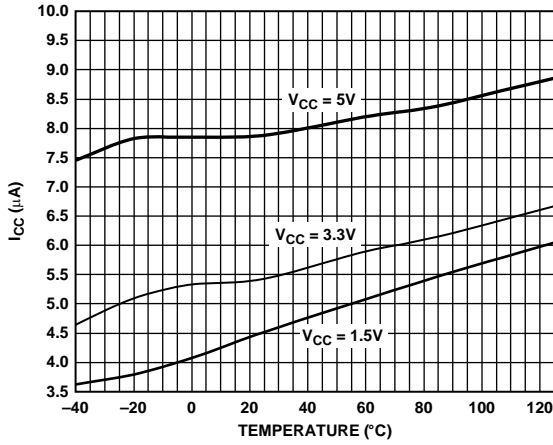


Figure 3. Supply Current vs. Temperature

04535-006

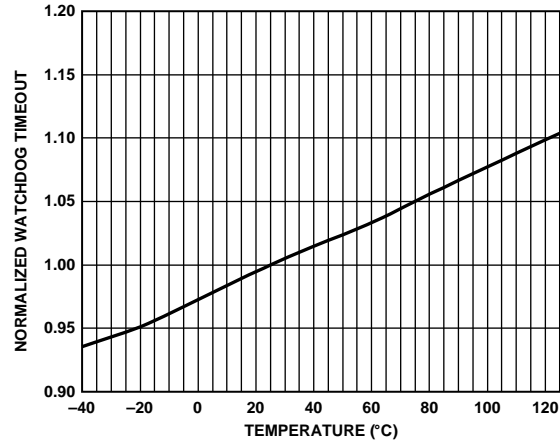


Figure 6. Normalized Watchdog Timeout Period vs. Temperature

04535-009

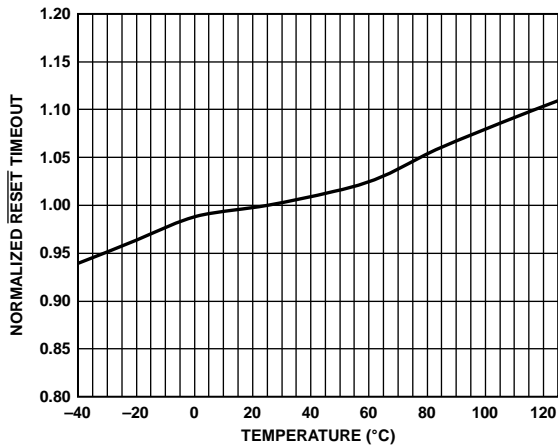


Figure 4. Normalized  $\overline{\text{RESET}}$  Timeout Period vs. Temperature

04535-007

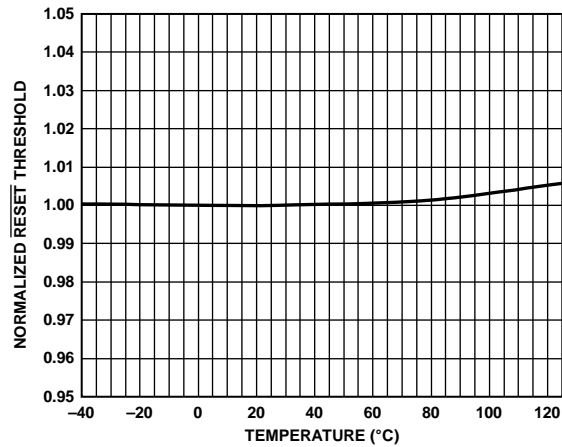


Figure 7. Normalized  $\overline{\text{RESET}}$  Threshold vs. Temperature

04535-010

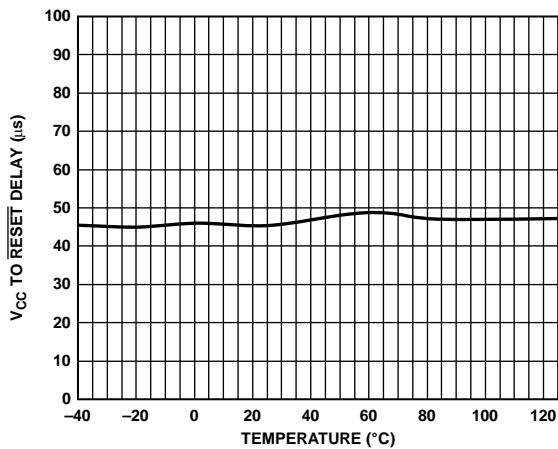


Figure 5. V<sub>CC</sub> to  $\overline{\text{RESET}}$  Output Delay vs. Temperature

04535-008

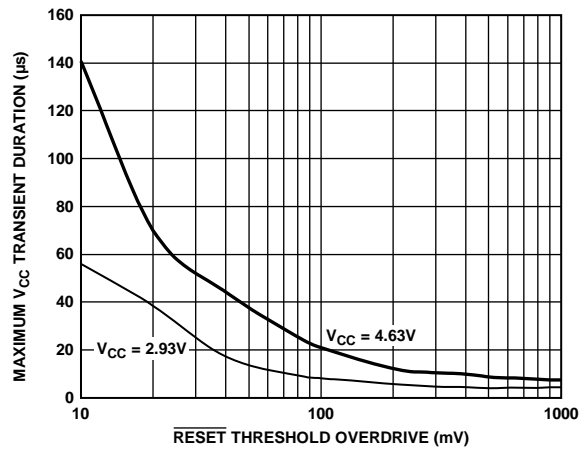
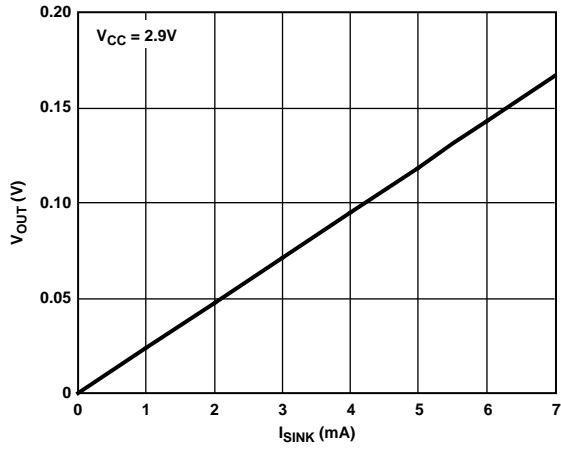


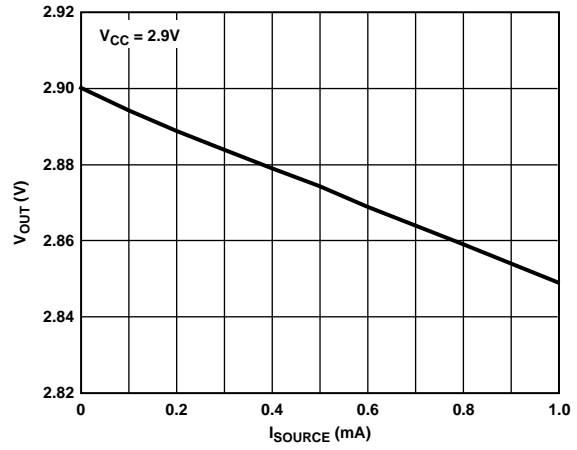
Figure 8. Maximum V<sub>CC</sub> Transient Duration vs.  $\overline{\text{RESET}}$  Threshold Overdrive

04535-011



04535-017

Figure 9. Voltage Output (V<sub>OUT</sub>) Low vs. I<sub>SINK</sub>



04535-018

Figure 10. Voltage Output (V<sub>OUT</sub>) High vs. I<sub>SOURCE</sub>

## THEORY OF OPERATION

The ADM6823 provides microprocessor supply voltage supervision by controlling the reset input of the microprocessor. Code execution errors are avoided during power-up, power-down, and brownout conditions by asserting a reset signal when the supply voltage is below a preset threshold. In addition, the ADM6823 allows supply voltage stabilization with a fixed timeout before the reset deasserts after the supply voltage rises above the threshold.

Problems with microprocessor code execution can be monitored and corrected with a watchdog timer. When watchdog strobe instructions are included in microprocessor code, a watchdog timer detects if the microprocessor code breaks down or becomes stuck in an infinite loop. If this happens, the watchdog timer asserts a reset pulse, which restarts the microprocessor in a known state.

If the user detects a problem with the operation of the system, a manual reset input is available to reset the microprocessor by means of an external push-button.

### RESET OUTPUT

The ADM6823 features an active-low push-pull output. For active-low output, the reset signal is guaranteed to be logic low for  $V_{CC}$  down to 1 V.

The reset output is asserted when  $V_{CC}$  is below the reset threshold ( $V_{TH}$ ), when  $\overline{MR}$  is driven low, or when WDI is not serviced within the watchdog timeout period ( $t_{WD}$ ). Reset remains asserted for the duration of the reset active timeout period ( $t_{RP}$ ) after  $V_{CC}$  rises above the reset threshold, after  $\overline{MR}$  transitions from low to high, or after the watchdog timer times out. Figure 11 shows the reset outputs.

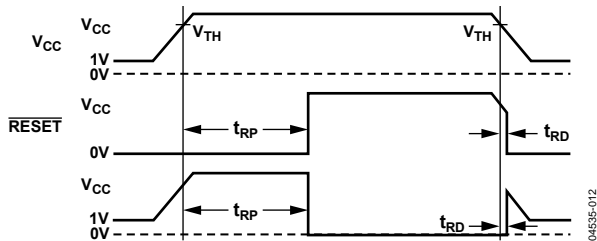


Figure 11. Reset Timing Diagram

04E35-012

### MANUAL RESET INPUT

The ADM6823 features a manual reset input ( $\overline{MR}$ ), which, when driven low, asserts the reset output. When  $\overline{MR}$  transitions from low to high, reset remains asserted for the duration of the reset active timeout period before deasserting. The  $\overline{MR}$  input has a 50 k $\Omega$  internal pull-up so that the input is always high when unconnected. An external push-button switch can be connected between  $\overline{MR}$  and ground so that the user can generate a reset. Debounce circuitry is integrated on-chip for this purpose. Noise immunity is provided on the  $\overline{MR}$  input, and fast, negative-going transients of up to 100 ns (typical) are ignored. A 0.1  $\mu$ F capacitor between  $\overline{MR}$  and ground provides additional noise immunity.

### WATCHDOG INPUT

The ADM6823 features a watchdog timer, which monitors microprocessor activity. A timer circuit is cleared with every low-to-high or high-to-low logic transition on the watchdog input pin (WDI), which detects pulses as short as 50 ns. If the timer counts through the preset watchdog timeout period ( $t_{WD}$ ), reset is asserted. The microprocessor is required to toggle the WDI pin to avoid being reset. Failure of the microprocessor to toggle WDI within the timeout period therefore indicates a code execution error, and the reset pulse generated restarts the microprocessor in a known state.

In addition to logic transitions on WDI, the watchdog timer is also cleared by a reset assertion due to an undervoltage condition on  $V_{CC}$  or  $\overline{MR}$  being pulled low. When reset is asserted, the watchdog timer is cleared and does not begin counting again until reset deasserts. The watchdog timer can be disabled by leaving WDI floating or by three-stating the WDI driver.

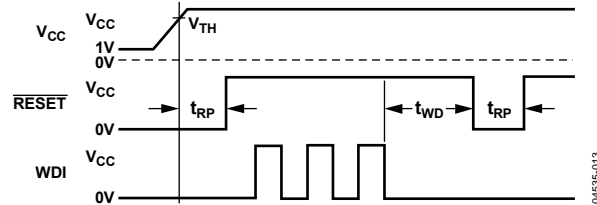


Figure 12. Watchdog Timing Diagram

04E35-013



## APPLICATION INFORMATION

### WATCHDOG INPUT CURRENT

To minimize watchdog input current (and minimize overall power consumption), leave WDI low for the majority of the watchdog timeout period. When driven high, WDI can draw as much as 160  $\mu$ A. Pulsing WDI low-high-low at a low duty cycle reduces the effect of the large input current. When WDI is unconnected, a window comparator disconnects the watchdog timer from the reset output circuitry so that reset is not asserted when the watchdog timer times out.

### NEGATIVE-GOING $V_{CC}$ TRANSIENTS

To avoid unnecessary resets caused by fast power supply transients, the ADM6823 is equipped with glitch rejection circuitry. The typical performance characteristic in Figure 8 plots  $V_{CC}$  transient duration vs. the transient magnitude. The curves show combinations of transient magnitude and duration for which a reset is not generated for the 4.63 V and 2.93 V reset threshold parts. For example, with the 2.93 V threshold, a transient that goes 100 mV below the threshold and lasts 8  $\mu$ s typically does not cause a reset, but if the transient is any bigger in magnitude or duration, a reset is generated. An optional 0.1  $\mu$ F bypass capacitor mounted close to  $V_{CC}$  provides additional glitch rejection.

### ENSURING RESET VALID TO $V_{CC} = 0$ V

The active-low reset output is guaranteed to be valid for  $V_{CC}$  as low as 1 V. However, by using an external resistor with push-pull configured reset outputs, valid outputs for  $V_{CC}$  as low as 0 V are possible. For an active-low reset output, a resistor connected between  $\overline{\text{RESET}}$  and ground pulls the output low when it is unable to sink current. A large resistance such as 100 k $\Omega$  should be used so that it does not overload the reset output when  $V_{CC}$  is above 1 V.

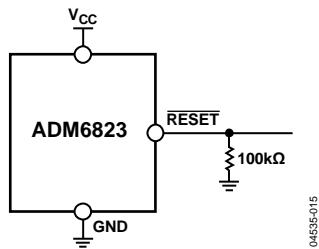


Figure 13. Ensuring Reset Valid to  $V_{CC} = 0$  V

04535-015

### WATCHDOG SOFTWARE CONSIDERATIONS

In implementing the watchdog strobe code of the microprocessor, quickly switching WDI low-high and then high-low (minimizing WDI high time) is desirable for current consumption reasons. However, a more effective way of using the watchdog function can be considered.

A low-high-low WDI pulse within a given subroutine prevents the watchdog from timing out. However, if the subroutine becomes stuck in an infinite loop, the watchdog could not detect this because the subroutine continues to toggle WDI. A more effective coding scheme for detecting this error involves using a slightly longer watchdog timeout. In the program that calls the subroutine, WDI is set high. The subroutine sets WDI low when it is called. If the program executes without error, WDI is toggled high and low with every loop of the program. If the subroutine enters an infinite loop, WDI is kept low, the watchdog times out, and the microprocessor is reset.

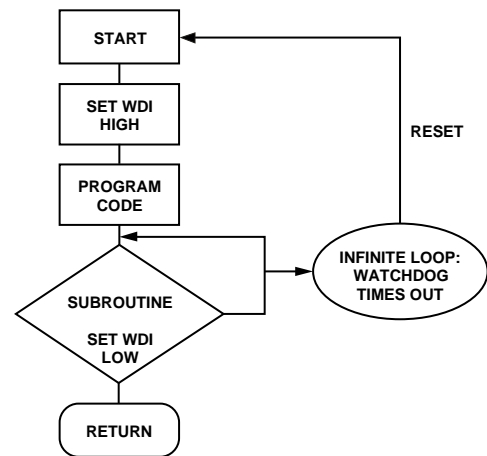


Figure 14. Watchdog Flow Diagram

04535-014

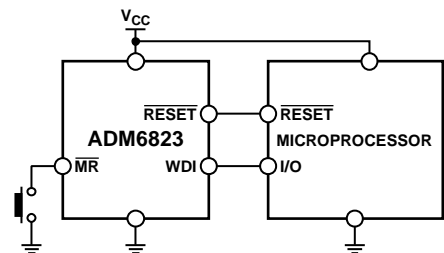
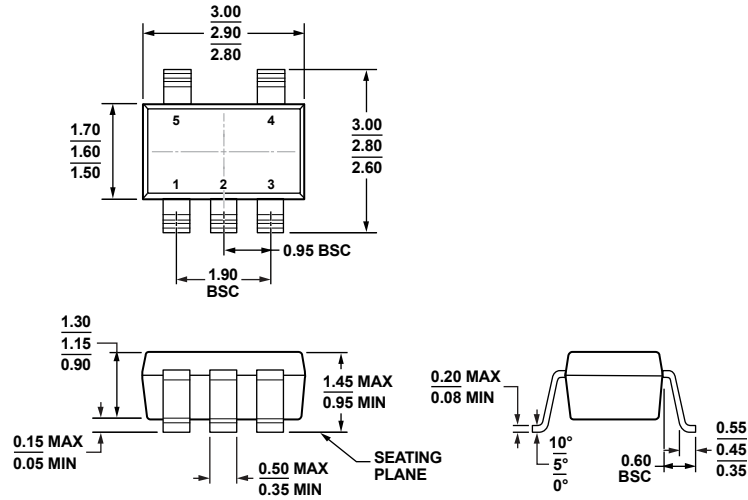


Figure 15. Typical Application Circuit

04535-016

OUTLINE DIMENSIONS



COMPLIANT TO JEDEC STANDARDS MO-178-AA

Figure 16. 5-Lead Small Outline Transistor Package [SOT-23] (RJ-5)

Dimensions shown in millimeters

11-01-2016-A

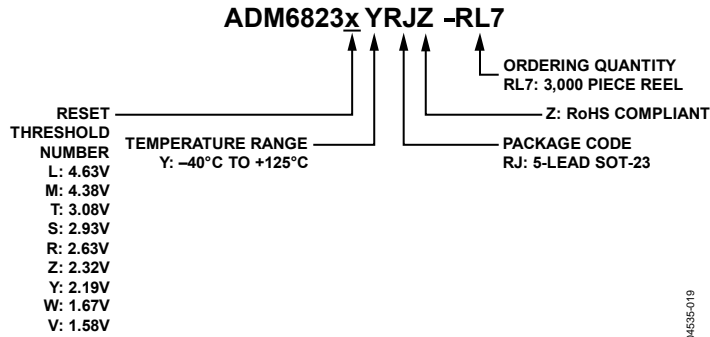


Figure 17. Ordering Code Structure

0455E-019

ORDERING GUIDE

Model <sup>1, 2, 3</sup>	Reset Threshold (V)	Reset Timeout (ms)	Temperature Range	Quantity	Package Description	Package Option	Marking Code
ADM6823RYRJZ-RL7	2.63	140	-40°C to +125°C	3000	5-Lead SOT-23	RJ-5	NOQ
ADM6823SYRJZ-RL7	2.93	140	-40°C to +125°C	3000	5-Lead SOT-23	RJ-5	NOQ
ADM6823TYRJZ-RL7	3.08	140	-40°C to +125°C	3000	5-Lead SOT-23	RJ-5	NOQ
ADM6823VYRJZ-RL7	1.58	140	-40°C to +125°C	3000	5-Lead SOT-23	RJ-5	NOQ
ADM6823WYRJZ-RL7	1.67	140	-40°C to +125°C	3000	5-Lead SOT-23	RJ-5	NOQ
ADM6823ZYRJZ-RL7	2.32	140	-40°C to +125°C	3000	5-Lead SOT-23	RJ-5	NOQ

<sup>1</sup> Z = RoHS Compliant Part.  
<sup>2</sup> The ADM6823 includes many device options, however, not all models are released for sale. Released models are called standard models and are listed in the Ordering Guide. The Watchdog Timers page also offers a list of standard models. Contact a sales representative for information on nonstandard models and be aware that samples and production units have very long lead times.  
<sup>3</sup> If ordering nonstandard models, complete the ordering code shown in Figure 17 by inserting the reset threshold suffixes.