

# SGM4520

## 36V High Voltage, CMOS Analog Switch

---

### GENERAL DESCRIPTION

The SGM4520 is a high voltage, CMOS analog IC configured as three single-pole/double-throw (SPDT) switches.

This CMOS device can operate from  $\pm 3.2\text{V}$  to  $\pm 18\text{V}$  dual power supplies or from  $+3.2\text{V}$  to  $+36\text{V}$  single supply. Each switch can handle rail-to-rail analog signals. The off leakage current is only  $0.01\mu\text{A}$  (TYP).

All digital inputs have  $0.8\text{V}$  to  $2.4\text{V}$  logic thresholds, ensuring TTL/CMOS-logic compatibility when using a single  $+5\text{V}$  supply or dual  $\pm 5\text{V}$  supplies.

The SGM4520 is available in Green SOIC-16, SSOP-16, TSSOP-16 and TQFN-3 $\times$ 3-16L packages. It operates over an operating temperature range of  $-40^\circ\text{C}$  to  $+125^\circ\text{C}$ .

### FEATURES

- **On-Resistance:**  
 **$22\Omega$  with Single  $36\text{V}$  Supply**
- **Low Off Leakage Current:  $0.01\mu\text{A}$  (TYP)**
- **Low On Leakage Current:  $0.01\mu\text{A}$  (TYP)**
- **$\pm 3.2\text{V}$  to  $\pm 18\text{V}$  Dual-Supply Operation or  $+3.2\text{V}$  to  $+36\text{V}$  Single-Supply Operation**
- **TTL/CMOS-Logic Compatible**
- **Low Distortion:  $0.001\%$  (TYP) ( $R_L = 600\Omega$ ,  $f = 1\text{kHz}$ )**
- **High Off-Isolation:  $-82\text{dB}$  (TYP) ( $R_L = 50\Omega$ ,  $f = 1\text{MHz}$ )**
- **Low Crosstalk:  $-88\text{dB}$  (TYP) ( $R_L = 50\Omega$ ,  $f = 1\text{MHz}$ )**
- **$-40^\circ\text{C}$  to  $+125^\circ\text{C}$  Operating Temperature Range**
- **Available in Green SOIC-16, SSOP-16, TSSOP-16 and TQFN-3 $\times$ 3-16L Packages**

### APPLICATIONS

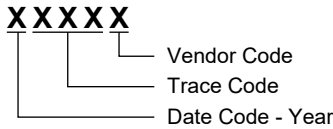
Battery-Operated Equipment  
Audio and Video Signal Routing  
Low Voltage Data Acquisition Systems  
Communications Circuits

**PACKAGE/ORDERING INFORMATION**

MODEL	PACKAGE DESCRIPTION	SPECIFIED TEMPERATURE RANGE	ORDERING NUMBER	PACKAGE MARKING	PACKING OPTION
SGM4520	SOIC-16	-40°C to +125°C	SGM4520XS16G/TR	SGM4520XS16 XXXXX	Tape and Reel, 2500
	SSOP-16	-40°C to +125°C	SGM4520XQS16G/TR	SGM4520 XQS16 XXXXX	Tape and Reel, 4000
	TSSOP-16	-40°C to +125°C	SGM4520XTS16G/TR	SGM4520 XTS16 XXXXX	Tape and Reel, 4000
	TQFN-3x3-16L	-40°C to +125°C	SGM4520XTQ16G/TR	4520TQ XXXXX	Tape and Reel, 4000

**MARKING INFORMATION**

NOTE: XXXXX = Date Code, Trace Code and Vendor Code.



Green (RoHS & HSF): SG Micro Corp defines "Green" to mean Pb-Free (RoHS compatible) and free of halogen substances. If you have additional comments or questions, please contact your SGMICRO representative directly.

**ABSOLUTE MAXIMUM RATINGS**

Voltages Referenced to  $V_{EE}$

- $V_{CC}$  ..... -0.3V to 40V
- GND ..... -0.3V to 40V
- Analog Switch I/O Voltage,  $V_{IS}$ ..... ( $V_{EE} - 0.3V$ ) to ( $V_{CC} + 0.3V$ )
- Digital Control Voltage ..... ( $GND - 0.3V$ ) to ( $V_{CC} + 0.3V$ )
- Continuous Current into Analog Switch I/O,  $X_-, Y_-, Z_-^{(1)}$  or  $X, Y, Z$ .....  $\pm 40mA$
- Junction Temperature ..... +150°C
- Storage Temperature Range ..... -65°C to +150°C
- Lead Temperature (Soldering, 10s) ..... +260°C
- ESD Susceptibility
- HBM ..... 3000V
- CDM ..... 1000V

**RECOMMENDED OPERATING CONDITIONS**

Operating Temperature Range ..... -40°C to +125°C

NOTE:

- $X_-$ : Analog Switch Inputs X0, X1,  
 $Y_-$ : Analog Switch Inputs Y0, Y1,  
 $Z_-$ : Analog Switch Inputs Z0, Z1.

**OVERSTRESS CAUTION**

Stresses beyond those listed in Absolute Maximum Ratings may cause permanent damage to the device. Exposure to absolute maximum rating conditions for extended periods may affect reliability. Functional operation of the device at any conditions beyond those indicated in the Recommended Operating Conditions section is not implied.

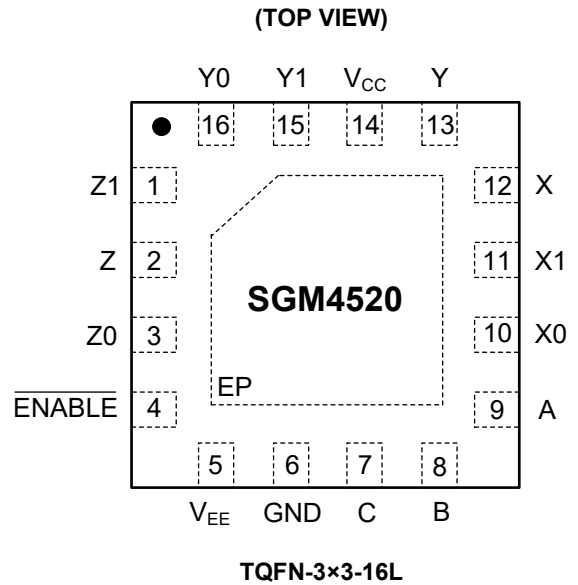
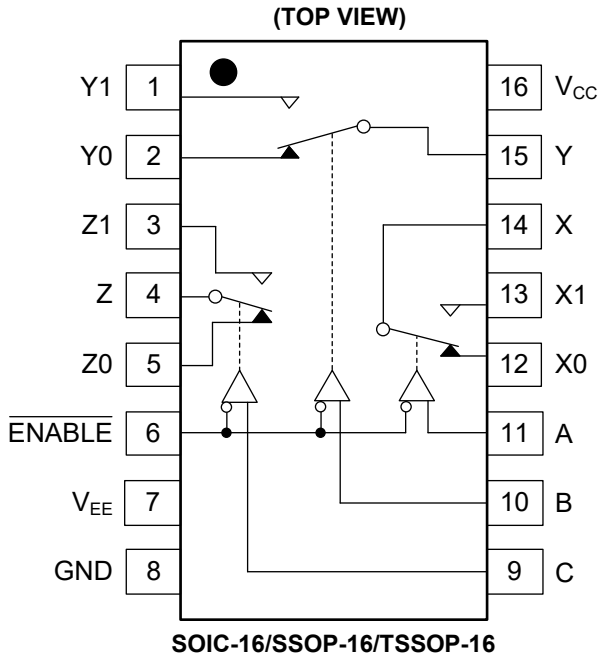
**ESD SENSITIVITY CAUTION**

This integrated circuit can be damaged if ESD protections are not considered carefully. SGMICRO recommends that all integrated circuits be handled with appropriate precautions. Failure to observe proper handling and installation procedures can cause damage. ESD damage can range from subtle performance degradation to complete device failure. Precision integrated circuits may be more susceptible to damage because even small parametric changes could cause the device not to meet the published specifications.

**DISCLAIMER**

SG Micro Corp reserves the right to make any change in circuit design, or specifications without prior notice.

PIN CONFIGURATIONS



PIN DESCRIPTION

PIN		NAME	FUNCTION
SOIC-16, SSOP-16, TSSOP-16	TQFN-3x3-16L		
14	12	X	Analog Switch "X" Output.
15	13	Y	Analog Switch "Y" Output.
4	2	Z	Analog Switch "Z" Output.
13	11	X1	Analog Switch "X" Normally Open Input.
12	10	X0	Analog Switch "X" Normally Closed Input.
1	15	Y1	Analog Switch "Y" Normally Open Input.
2	16	Y0	Analog Switch "Y" Normally Closed Input.
3	1	Z1	Analog Switch "Z" Normally Open Input.
5	3	Z0	Analog Switch "Z" Normally Closed Input.
16	14	V <sub>CC</sub>	Positive Analog and Digital Supply Voltage Input.
11	9	A	Digital Address "A" Input.
10	8	B	Digital Address "B" Input.
9	7	C	Digital Address "C" Input.
8	6	GND	Ground. Connect to digital ground. (Analog signals have no ground reference; they are limited to V <sub>CC</sub> and V <sub>EE</sub> .)
7	5	V <sub>EE</sub>	Negative Analog Supply Voltage Input. Connect to GND for single-supply operation.
6	4	ENABLE	Digital Enable Input (Active Low).
—	Exposed Pad	EP	Exposed Pad. It can be connected to V <sub>EE</sub> or be left floating.

NOTE: Input and output pins are identical and interchangeable. Either may be considered as an input or output; signals pass equally well in both directions.

## FUNCTION TABLE

ENABLE Input	Select Inputs			On Switches
	C	B	A	
H	X	X	X	All Switches Open
L	L	L	L	X-X0, Y-Y0, Z-Z0
L	L	L	H	X-X1, Y-Y0, Z-Z0
L	L	H	L	X-X0, Y-Y1, Z-Z0
L	L	H	H	X-X1, Y-Y1, Z-Z0
L	H	L	L	X-X0, Y-Y0, Z-Z1
L	H	L	H	X-X1, Y-Y0, Z-Z1
L	H	H	L	X-X0, Y-Y1, Z-Z1
L	H	H	H	X-X1, Y-Y1, Z-Z1

X = Don't care.

**ELECTRICAL CHARACTERISTICS**

(V<sub>CC</sub> = 3.2V to 36V, V<sub>EE</sub> = 0V, GND = 0V, Full = -40°C to +125°C, typical values are at T<sub>A</sub> = +25°C, unless otherwise noted.)

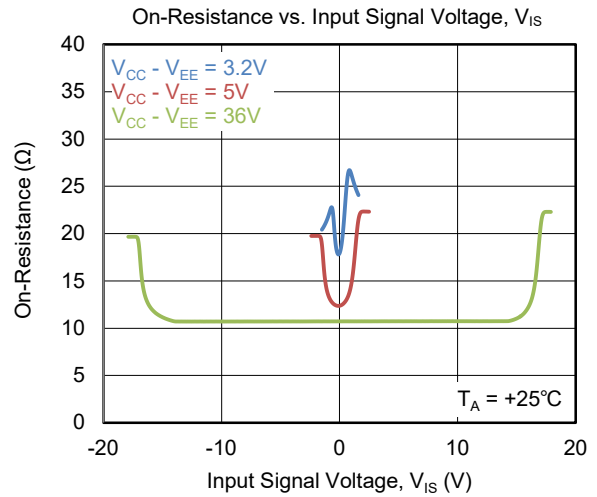
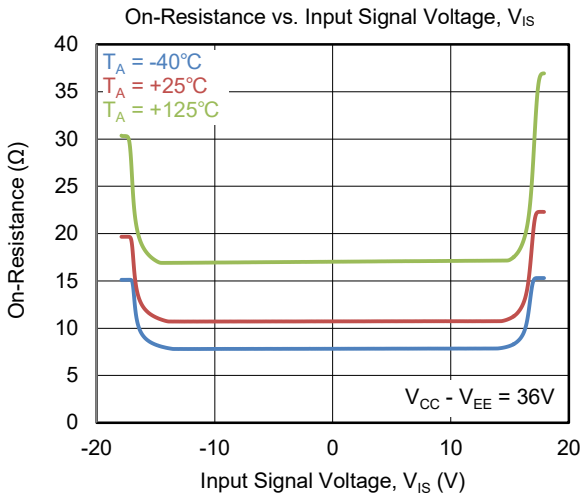
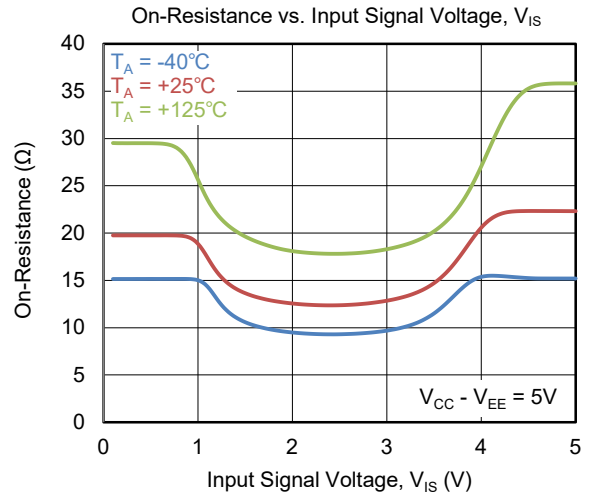
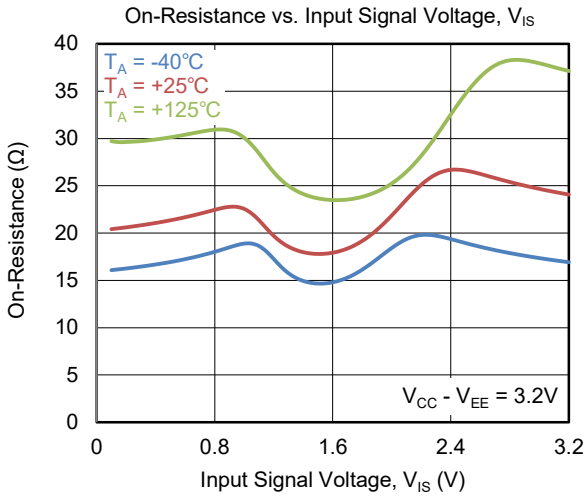
PARAMETER	SYMBOL	CONDITIONS	TEMP	MIN	TYP	MAX	UNITS
<b>Analog Switch</b>							
Analog Signal Range	V <sub>X</sub> , V <sub>Y</sub> , V <sub>Z</sub> , V <sub>X</sub> , V <sub>Y</sub> , V <sub>Z</sub>		Full	V <sub>EE</sub>		V <sub>CC</sub>	V
On-Resistance	R <sub>ON</sub>	V <sub>CC</sub> = 3.2V, I <sub>X</sub> , I <sub>Y</sub> , I <sub>Z</sub> = 10mA	+25°C		26	34	Ω
			Full			44	
		V <sub>CC</sub> = 5V to 36V, I <sub>X</sub> , I <sub>Y</sub> , I <sub>Z</sub> = 10mA	+25°C		22	29	
			Full			45	
On-Resistance Match Between Channels	ΔR <sub>ON</sub>	V <sub>CC</sub> = 3.2V, I <sub>X</sub> , I <sub>Y</sub> , I <sub>Z</sub> = 10mA	+25°C		0.1	4	Ω
			Full			5	
		V <sub>CC</sub> = 5V to 36V, I <sub>X</sub> , I <sub>Y</sub> , I <sub>Z</sub> = 10mA	+25°C		0.2	3	
			Full			4	
On-Resistance Flatness	R <sub>FLAT(ON)</sub>	V <sub>CC</sub> = 3.2V, I <sub>X</sub> , I <sub>Y</sub> , I <sub>Z</sub> = 10mA	+25°C		8	14	Ω
			Full			18	
		V <sub>CC</sub> = 5V to 36V, I <sub>X</sub> , I <sub>Y</sub> , I <sub>Z</sub> = 10mA	+25°C		11	17	
			Full			26	
X, Y, Z Off Leakage Current	I <sub>X(OFF)</sub> , I <sub>Y(OFF)</sub> , I <sub>Z(OFF)</sub>	V <sub>CC</sub> = 18V, V <sub>EE</sub> = -18V, V <sub>X</sub> , V <sub>Y</sub> , V <sub>Z</sub> = ±18V, V <sub>X</sub> , V <sub>Y</sub> , V <sub>Z</sub> = ∓18V	Full		0.01	2	μA
X, Y, Z Off Leakage Current	I <sub>X(OFF)</sub> , I <sub>Y(OFF)</sub> , I <sub>Z(OFF)</sub>	V <sub>CC</sub> = 18V, V <sub>EE</sub> = -18V, V <sub>X</sub> , V <sub>Y</sub> , V <sub>Z</sub> = ±18V, V <sub>X</sub> , V <sub>Y</sub> , V <sub>Z</sub> = ∓18V	Full		0.01	2	μA
X, Y, Z On Leakage Current	I <sub>X(ON)</sub> , I <sub>Y(ON)</sub> , I <sub>Z(ON)</sub>	V <sub>CC</sub> = 18V, V <sub>EE</sub> = -18V, V <sub>X</sub> , V <sub>Y</sub> , V <sub>Z</sub> = ±18V, V <sub>X</sub> , V <sub>Y</sub> , V <sub>Z</sub> = Floating	Full		0.01	1.5	μA
<b>Digital I/O</b>							
Input High Voltage	V <sub>AH</sub> , V <sub>BH</sub> , V <sub>CH</sub> , V <sub>ENABLEH</sub>		Full	2.4			V
Input Low Voltage	V <sub>AL</sub> , V <sub>BL</sub> , V <sub>CL</sub> , V <sub>ENABLEL</sub>		Full			0.8	V
High-Level Input Current	I <sub>AH</sub> , I <sub>BH</sub> , I <sub>CH</sub> , I <sub>ENABLEH</sub>	V <sub>A</sub> , V <sub>B</sub> , V <sub>C</sub> , V <sub>ENABLE</sub> = V <sub>CC</sub>	+25°C		0.3	1	μA
			Full			1.5	
Low-Level Input Current	I <sub>AL</sub> , I <sub>BL</sub> , I <sub>CL</sub> , I <sub>ENABLEL</sub>	V <sub>A</sub> , V <sub>B</sub> , V <sub>C</sub> , V <sub>ENABLE</sub> = 0V	+25°C		0.01	1	μA
			Full			1.5	
<b>Dynamic Characteristics</b>							
Address Transition Time	t <sub>TRANS</sub>	V <sub>CC</sub> = 5V, V <sub>EE</sub> = 0V, V <sub>X</sub> , V <sub>Y</sub> , V <sub>Z</sub> = 3V, 0V, C <sub>L</sub> = 35pF, R <sub>L</sub> = 300Ω, Test Circuit 1	+25°C		135		ns
		V <sub>CC</sub> = 18V, V <sub>EE</sub> = -18V, V <sub>X</sub> , V <sub>Y</sub> , V <sub>Z</sub> = 3V, -3V, C <sub>L</sub> = 35pF, R <sub>L</sub> = 300Ω, Test Circuit 1	+25°C		120		
ENABLE Turn-On Time	t <sub>ON</sub>	V <sub>CC</sub> = 5V, V <sub>EE</sub> = 0V, V <sub>X</sub> , V <sub>Y</sub> , V <sub>Z</sub> = 3V, C <sub>L</sub> = 35pF, R <sub>L</sub> = 300Ω, Test Circuit 2	+25°C		80		ns
		V <sub>CC</sub> = 18V, V <sub>EE</sub> = -18V, V <sub>X</sub> , V <sub>Y</sub> , V <sub>Z</sub> = 3V, C <sub>L</sub> = 35pF, R <sub>L</sub> = 300Ω, Test Circuit 2	+25°C		70		
ENABLE Turn-Off Time	t <sub>OFF</sub>	V <sub>CC</sub> = 5V, V <sub>EE</sub> = 0V, V <sub>X</sub> , V <sub>Y</sub> , V <sub>Z</sub> = 3V, C <sub>L</sub> = 35pF, R <sub>L</sub> = 300Ω, Test Circuit 2	+25°C		130		ns
		V <sub>CC</sub> = 18V, V <sub>EE</sub> = -18V, V <sub>X</sub> , V <sub>Y</sub> , V <sub>Z</sub> = 3V, C <sub>L</sub> = 35pF, R <sub>L</sub> = 300Ω, Test Circuit 2	+25°C		110		
Break-Before-Make Time	t <sub>D</sub>	V <sub>CC</sub> = 5V to 36V, V <sub>X</sub> , V <sub>Y</sub> , V <sub>Z</sub> = 3V, C <sub>L</sub> = 35pF, R <sub>L</sub> = 300Ω, Test Circuit 3	+25°C		70		ns
Charge Injection	Q	V <sub>CC</sub> = 5V, V <sub>EE</sub> = 0V, R <sub>S</sub> = 0Ω, C <sub>L</sub> = 1nF, V <sub>S</sub> = 0V, Test Circuit 4	+25°C		50		pC
		V <sub>CC</sub> = 18V, V <sub>EE</sub> = -18V, R <sub>S</sub> = 0Ω, C <sub>L</sub> = 1nF, V <sub>S</sub> = 0V, Test Circuit 4	+25°C		180		
Channel-to-Channel Crosstalk	X <sub>TALK</sub>	V <sub>CC</sub> = 5V to 36V, R <sub>L</sub> = 50Ω, f = 1MHz, Test Circuit 5	+25°C		-88		dB
Off Isolation	O <sub>ISO</sub>	V <sub>CC</sub> = 5V to 36V, R <sub>L</sub> = 50Ω, f = 1MHz, Test Circuit 5	+25°C		-82		dB

**ELECTRICAL CHARACTERISTICS (continued)**

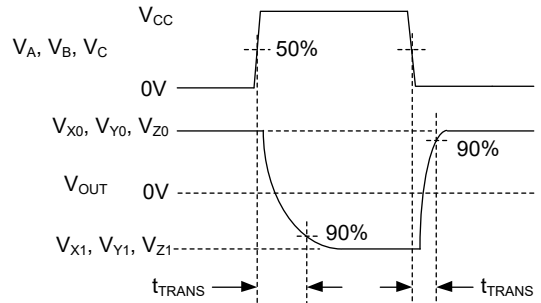
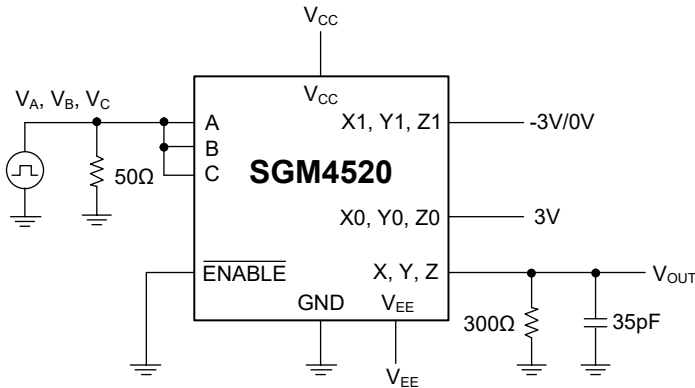
(V<sub>CC</sub> = 3.2V to 36V, V<sub>EE</sub> = 0V, GND = 0V, Full = -40°C to +125°C, typical values are at T<sub>A</sub> = +25°C, unless otherwise noted.)

PARAMETER	SYMBOL	CONDITIONS	TEMP	MIN	TYP	MAX	UNITS
<b>Dynamic Characteristics (continued)</b>							
Input Off-Capacitance	C <sub>X(OFF)</sub> , C <sub>Y(OFF)</sub> , C <sub>Z(OFF)</sub>	V <sub>CC</sub> = 5V, V <sub>EE</sub> = 0V, V <sub>X</sub> , V <sub>Y</sub> , V <sub>Z</sub> = 0V, f = 1MHz, Test Circuit 6	+25°C		10		pF
		V <sub>CC</sub> = 18V, V <sub>EE</sub> = -18V, V <sub>X</sub> , V <sub>Y</sub> , V <sub>Z</sub> = 0V, f = 1MHz, Test Circuit 6	+25°C		8		
Output Off-Capacitance	C <sub>X(OFF)</sub> , C <sub>Y(OFF)</sub> , C <sub>Z(OFF)</sub>	V <sub>CC</sub> = 5V, V <sub>EE</sub> = 0V, V <sub>X</sub> , V <sub>Y</sub> , V <sub>Z</sub> = 0V, f = 1MHz, Test Circuit 6	+25°C		20		pF
		V <sub>CC</sub> = 18V, V <sub>EE</sub> = -18V, V <sub>X</sub> , V <sub>Y</sub> , V <sub>Z</sub> = 0V, f = 1MHz, Test Circuit 6	+25°C		10		
Output On-Capacitance	C <sub>X(ON)</sub> , C <sub>Y(ON)</sub> , C <sub>Z(ON)</sub>	V <sub>CC</sub> = 5V, V <sub>EE</sub> = 0V, V <sub>X</sub> , V <sub>Y</sub> , V <sub>Z</sub> = 0V, f = 1MHz, Test Circuit 6	+25°C		25		pF
		V <sub>CC</sub> = 18V, V <sub>EE</sub> = -18V, V <sub>X</sub> , V <sub>Y</sub> , V <sub>Z</sub> = 0V, f = 1MHz, Test Circuit 6	+25°C		15		
-3dB Bandwidth	BW	V <sub>CC</sub> = 5V, V <sub>EE</sub> = 0V, R <sub>L</sub> = 50Ω	+25°C		180		MHz
		V <sub>CC</sub> = 18V, V <sub>EE</sub> = -18V, R <sub>L</sub> = 50Ω	+25°C		290		
Total Harmonic Distortion	THD	V <sub>CC</sub> = 18V, V <sub>EE</sub> = -18V, R <sub>L</sub> = 600Ω, V <sub>OUT</sub> = 5V <sub>P-P</sub> , f = 1kHz	+25°C		0.001		%
<b>Power Supply</b>							
Power Supply Range (Single Supply)	V <sub>CC</sub>	V <sub>EE</sub> = 0V	+25°C	+3.2		+36	V
Power Supply Range (Dual Supplies)	V <sub>CC</sub> , V <sub>EE</sub>		+25°C	±3.2		±18	
Power Supply Current	I <sub>CC</sub> , I <sub>EE</sub>	V <sub>A</sub> , V <sub>B</sub> , V <sub>C</sub> , V <sub>ENABLE</sub> = V <sub>CC</sub> or 0V	+25°C		15	24	μA
			Full			26	

TYPICAL PERFORMANCE CHARACTERISTICS

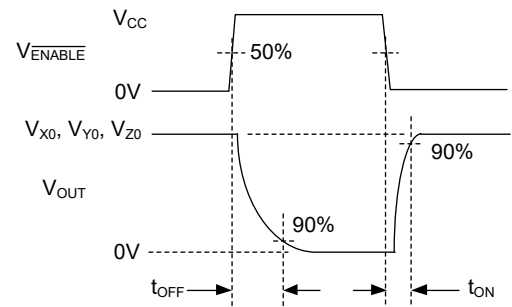
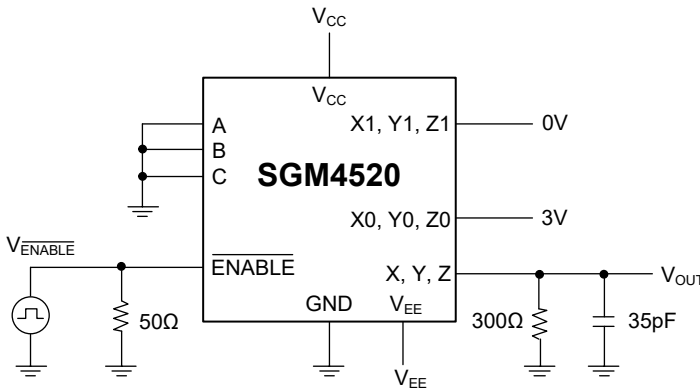


TEST CIRCUITS



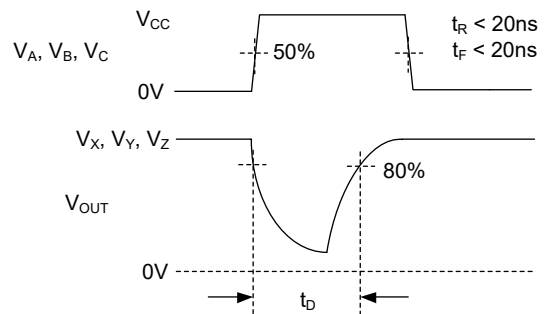
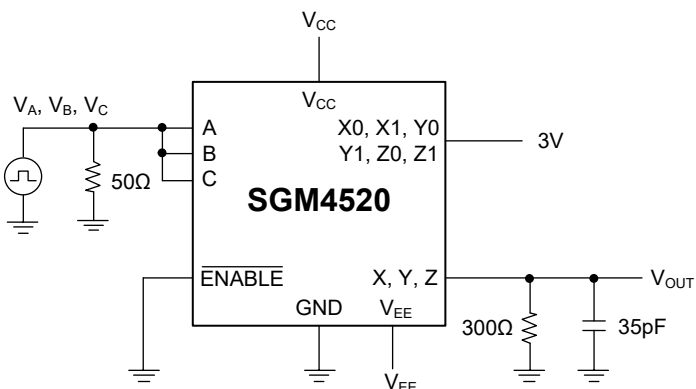
$V_{EE} = 0V$  for Single-Supply Operation.  
Test Each Section Individually.

Test Circuit 1. Address Transition Times ( $t_{TRANS}$ )



$V_{EE} = 0V$  for Single-Supply Operation.  
Test Each Section Individually.

Test Circuit 2. Switching Times ( $t_{ON}$ ,  $t_{OFF}$ )

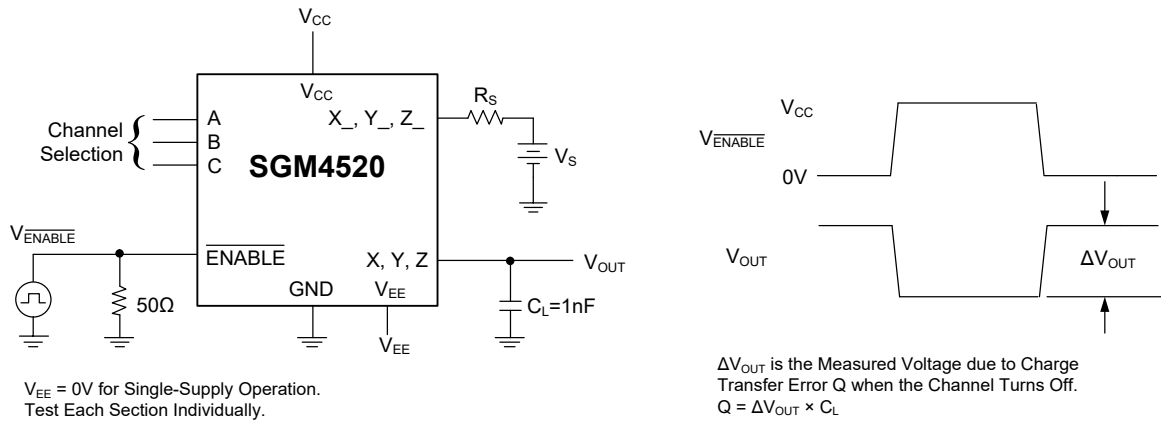


$V_{EE} = 0V$  for Single-Supply Operation.  
Test Each Section Individually.

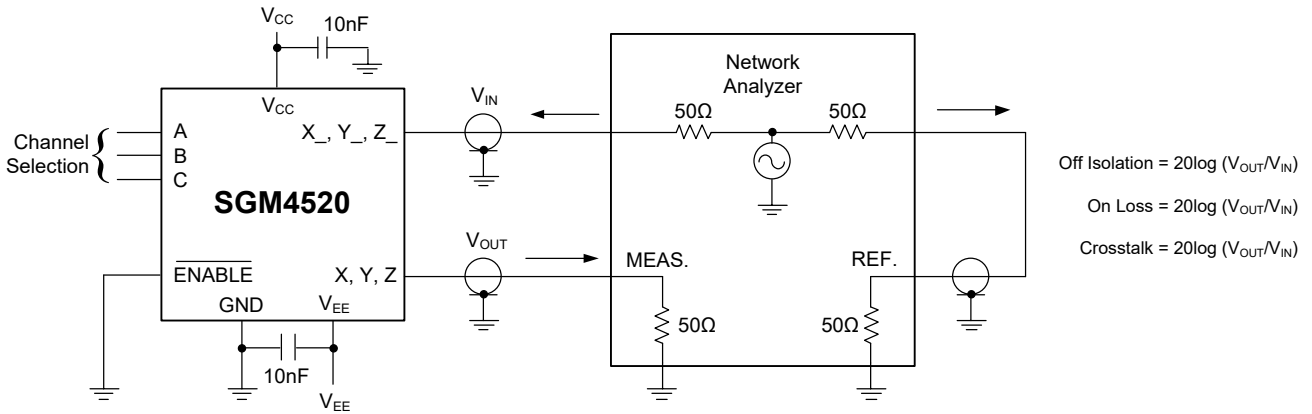
Test Circuit 3. Break-Before-Make Time ( $t_D$ )



TEST CIRCUITS (continued)

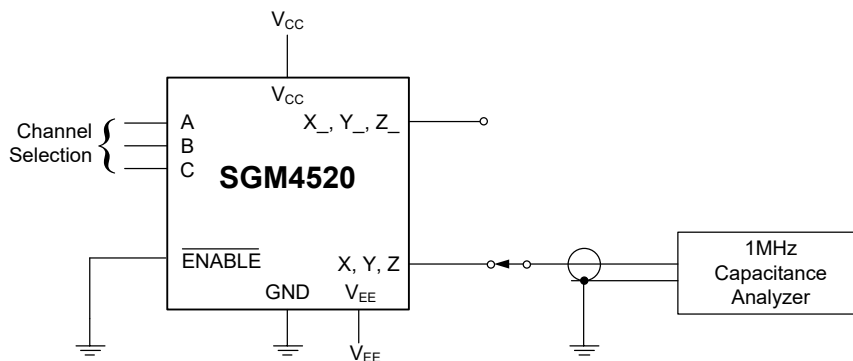


Test Circuit 4. Charge Injection (Q)



Measurements are Standardized against Short at Socket Terminals.  
Off Isolation is Measured between X and "OFF" X<sub>-</sub> Terminal on Each Switch.  
On Loss is Measured between X and "ON" X<sub>-</sub> Terminal on Each Switch.  
Crosstalk is Measured from One Channel (X, Y, Z) to All other Channels.  
Signal Direction through Switch is Reversed; Worst Values are Recorded.

Test Circuit 5. Off Isolation, On Loss and Crosstalk



$V_{EE} = 0V$  for Single-Supply Operation.  
Test Each Section Individually.

Test Circuit 6. Capacitance

**REVISION HISTORY**

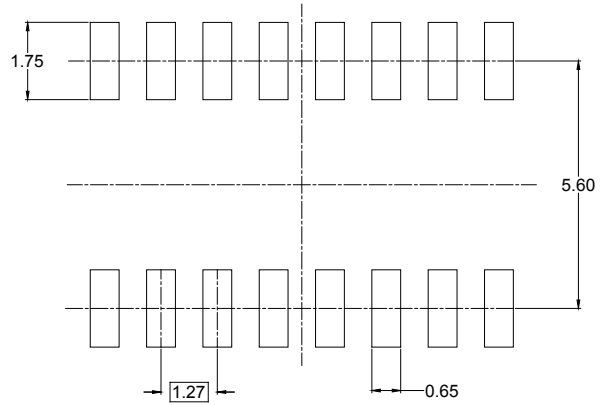
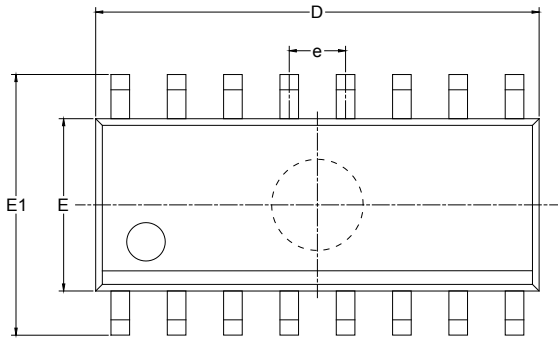
NOTE: Page numbers for previous revisions may differ from page numbers in the current version.

<b>Changes from Original (DECEMBER 2020) to REV.A</b>	<b>Page</b>
Changed from product preview to production data.....	All

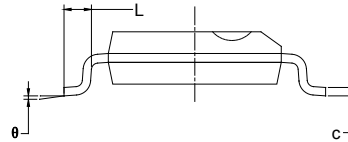
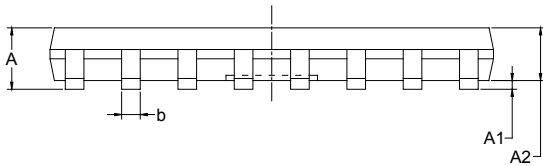
---

PACKAGE OUTLINE DIMENSIONS

SOIC-16



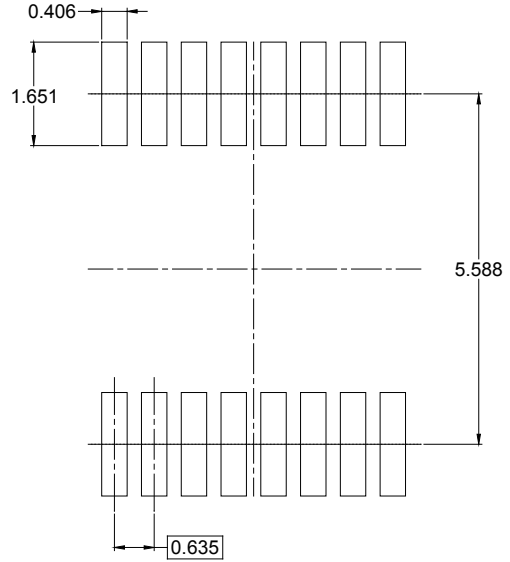
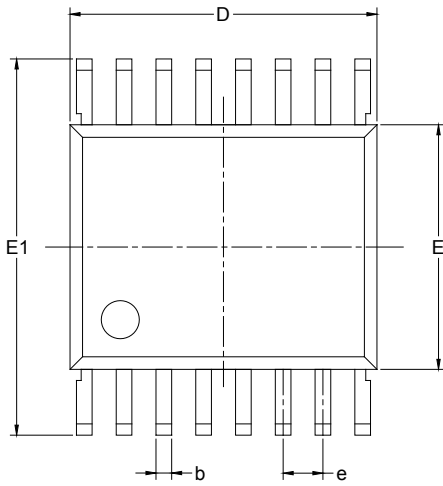
RECOMMENDED LAND PATTERN (Unit: mm)



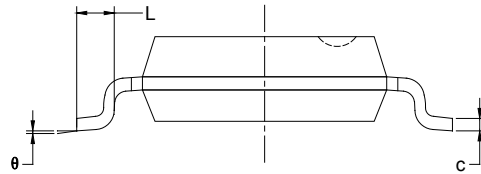
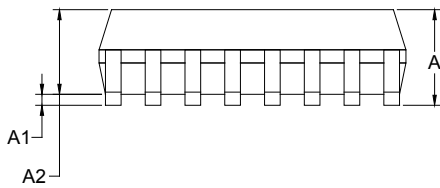
Symbol	Dimensions In Millimeters		Dimensions In Inches	
	MIN	MAX	MIN	MAX
A	1.350	1.750	0.053	0.069
A1	0.100	0.250	0.004	0.010
A2	1.350	1.550	0.053	0.061
b	0.330	0.510	0.013	0.020
c	0.170	0.250	0.006	0.010
D	9.800	10.200	0.386	0.402
E	3.800	4.000	0.150	0.157
E1	5.800	6.200	0.228	0.244
e	1.27 BSC		0.050 BSC	
L	0.400	1.270	0.016	0.050
θ	0°	8°	0°	8°

PACKAGE OUTLINE DIMENSIONS

SSOP-16



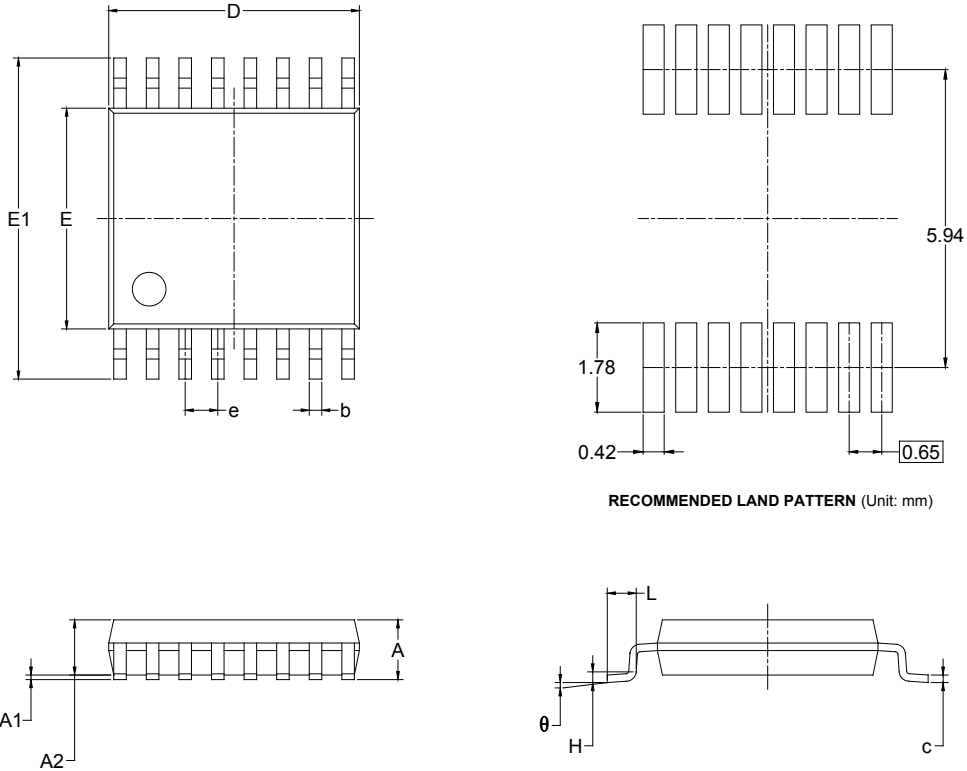
RECOMMENDED LAND PATTERN (Unit: mm)



Symbol	Dimensions In Millimeters		Dimensions In Inches	
	MIN	MAX	MIN	MAX
A	1.350	1.750	0.053	0.069
A1	0.100	0.250	0.004	0.010
A2	1.350	1.550	0.053	0.061
b	0.200	0.300	0.008	0.012
c	0.170	0.250	0.007	0.010
D	4.700	5.100	0.185	0.200
E	3.800	4.000	0.150	0.157
E1	5.800	6.200	0.228	0.244
e	0.635 BSC		0.025 BSC	
L	0.400	1.270	0.016	0.050
θ	0°	8°	0°	8°

PACKAGE OUTLINE DIMENSIONS

TSSOP-16

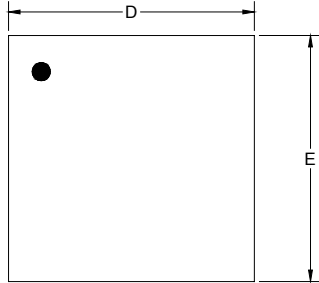


Symbol	Dimensions In Millimeters		Dimensions In Inches	
	MIN	MAX	MIN	MAX
A		1.200		0.047
A1	0.050	0.150	0.002	0.006
A2	0.800	1.050	0.031	0.041
b	0.190	0.300	0.007	0.012
c	0.090	0.200	0.004	0.008
D	4.860	5.100	0.191	0.201
E	4.300	4.500	0.169	0.177
E1	6.200	6.600	0.244	0.260
e	0.650 BSC		0.026 BSC	
L	0.500	0.700	0.02	0.028
H	0.25 TYP		0.01 TYP	
$\theta$	1°	7°	1°	7°

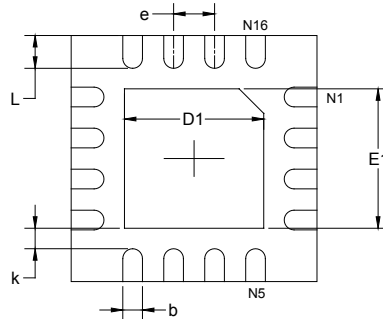
# PACKAGE INFORMATION

## PACKAGE OUTLINE DIMENSIONS

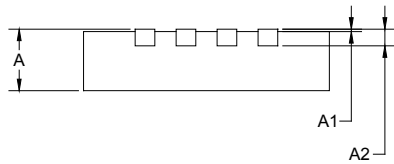
### TQFN-3×3-16L



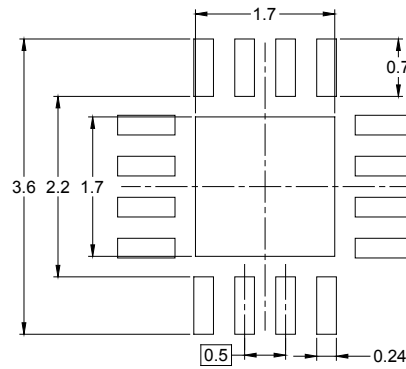
TOP VIEW



BOTTOM VIEW



SIDE VIEW

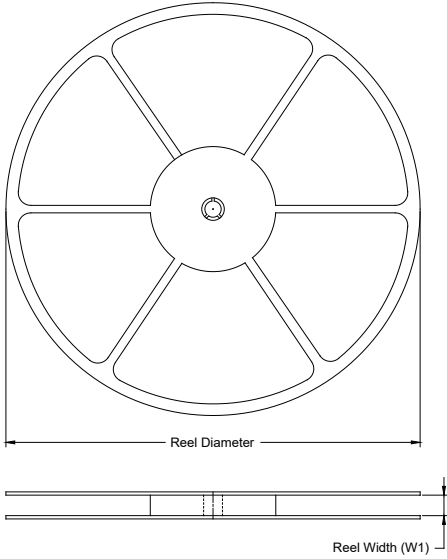


RECOMMENDED LAND PATTERN (Unit: mm)

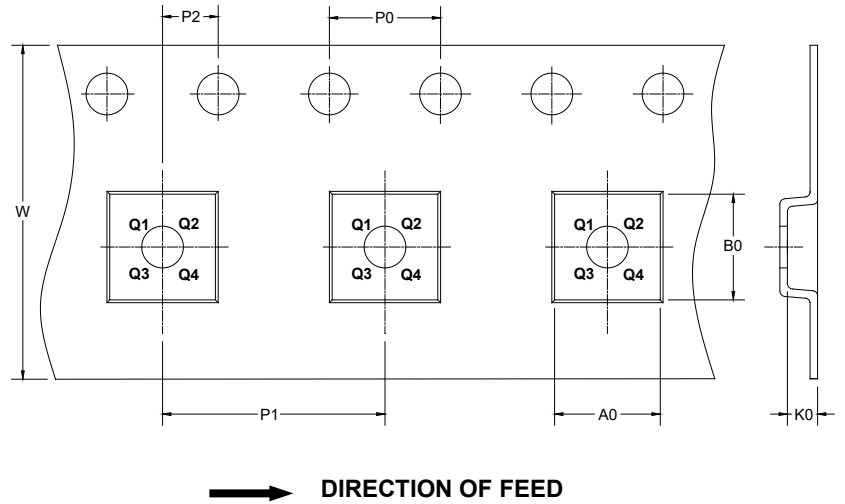
Symbol	Dimensions In Millimeters		Dimensions In Inches	
	MIN	MAX	MIN	MAX
A	0.700	0.800	0.028	0.031
A1	0.000	0.050	0.000	0.002
A2	0.203 REF		0.008 REF	
D	2.900	3.100	0.114	0.122
D1	1.600	1.800	0.063	0.071
E	2.900	3.100	0.114	0.122
E1	1.600	1.800	0.063	0.071
k	0.200 MIN		0.008 MIN	
b	0.180	0.300	0.007	0.012
e	0.500 TYP		0.020 TYP	
L	0.300	0.500	0.012	0.020

TAPE AND REEL INFORMATION

REEL DIMENSIONS



TAPE DIMENSIONS



NOTE: The picture is only for reference. Please make the object as the standard.

KEY PARAMETER LIST OF TAPE AND REEL

Package Type	Reel Diameter	Reel Width W1 (mm)	A0 (mm)	B0 (mm)	K0 (mm)	P0 (mm)	P1 (mm)	P2 (mm)	W (mm)	Pin1 Quadrant
SOIC-16	13"	16.4	6.50	10.30	2.10	4.0	8.0	2.0	16.0	Q1
SSOP-16	13"	12.4	6.40	5.40	2.10	4.0	8.0	2.0	12.0	Q1
TSSOP-16	13"	12.4	6.90	5.60	1.20	4.0	8.0	2.0	12.0	Q1
TQFN-3×3-16L	13"	12.4	3.35	3.35	1.13	4.0	8.0	2.0	12.0	Q2

DD0001

# PACKAGE INFORMATION

## CARTON BOX DIMENSIONS



NOTE: The picture is only for reference. Please make the object as the standard.

## KEY PARAMETER LIST OF CARTON BOX

Reel Type	Length (mm)	Width (mm)	Height (mm)	Pizza/Carton
13"	386	280	370	5

DD0002