

SGM2588 Power Distribution Switch

GENERAL DESCRIPTION

The SGM2588 is an integrated 100mΩ (TYP) power switch for self-powered and bus-powered universal series bus (USB) applications.

The SGM2588 is internally current limited and has thermal shutdown that protects device and load from over-current damage. Thermal shutdown shuts off the output MOSFET and asserts the nFAULT output if the die temperature exceeds +150°C, and the output MOSFET remains off until the die temperature drops to +130°C.

This device employs soft-start circuit that minimizes inrush current in applications where highly capacitive loads are employed.

An open drain nFAULT flag asserts low during over-current and thermal conditions after a 13ms blanking time to prevent false reporting.

SGM2588 is available in a Green SOT-23-5 package. It is rated over the -40°C to +85°C temperature range.

APPLICATIONS

General Purpose Power Switching
USB Bus/Self-Powered Hubs/Peripherals
ACPI Power Distribution
Smart Phone & LCD TV

TYPICAL APPLICATION

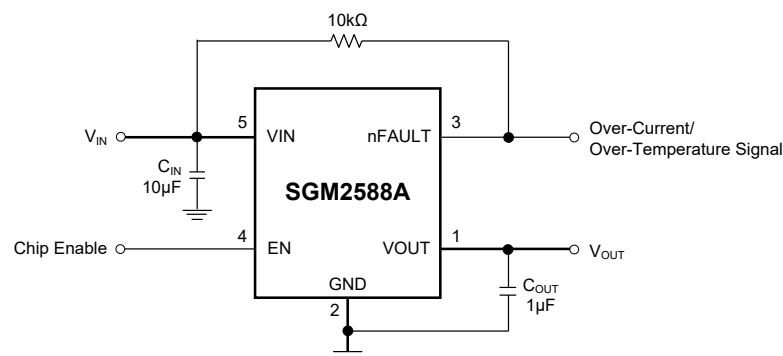
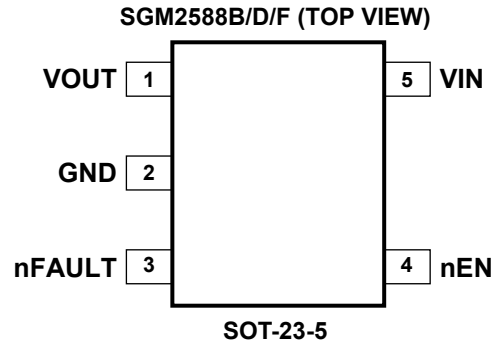
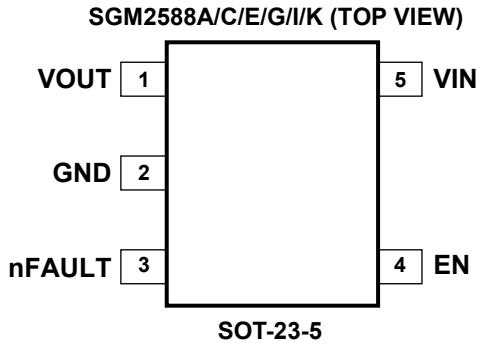


Figure 1. Typical Application Circuit

FEATURES

- 100mΩ (TYP) High-side N-Channel MOSFET
- Three Current Limit Levels
 - SGM2588A/B/G: 1100 ± 100mA
 - SGM2588C/D/I: 2100 ± 210mA
 - SGM2588E/F/K: 2600 ± 300mA
- Input Voltage Range: 2.5V to 5.5V
- Quiescent Current: 23µA (TYP)
- Shutdown Current: 0.1µA (TYP)
- Soft-Start Function
- Thermal Shutdown Protection
- Under-Voltage Lockout Protection for VIN
- No Reversed Leakage Current (Reverse Blocking)
- Fault Flag (nFAULT) with 13ms Filter Eliminates False Assertions
- Automatic Output Discharge in Shutdown Mode (SGM2588A/B/C/D/E/F)
- 500kΩ Pull-Down Resistor at EN Pin (SGM2588G/I/K)
- Evaluated to IEC 60950-1, Ed 2, Am1, Annex CC, Test Program 1 with CB Report (SGM2588A/C/E/G/I/K)
- Available in Green SOT-23-5 Package

PIN CONFIGURATIONS



PIN DESCRIPTION

PIN	NAME	FUNCTION
1	VOUT	Output Voltage.
2	GND	Ground.
3	nFAULT	Fault Flag. Active low, open-drain output. Indicates over-current or thermal shutdown conditions. Over-current condition must last longer than t_{O} in order to assert nFAULT.
4	EN/nEN	Chip Enable. Do not floating for SGM2588A/B/C/D/E/F. Active high for SGM2588A/C/E/G/I/K (EN) and active low for SGM2588B/D/F (nEN). SGM2588G/I/K have integrated a 500k Ω pull-down resistor at EN pin.
5	VIN	Power Input Voltage.

TEST CIRCUIT

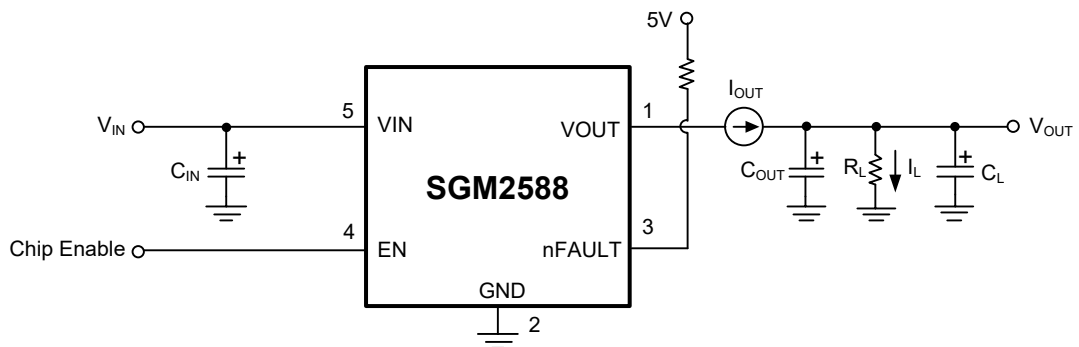


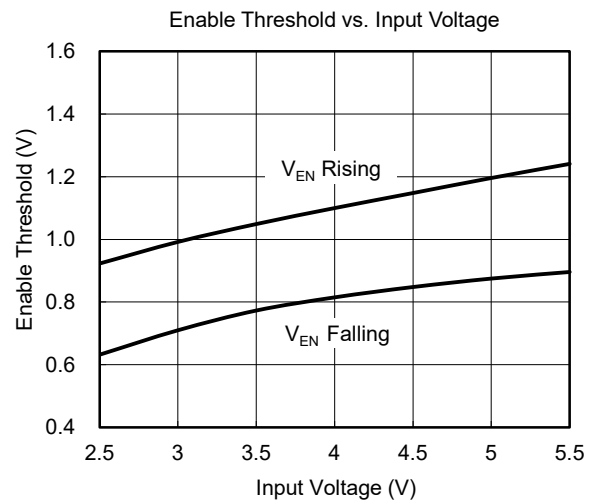
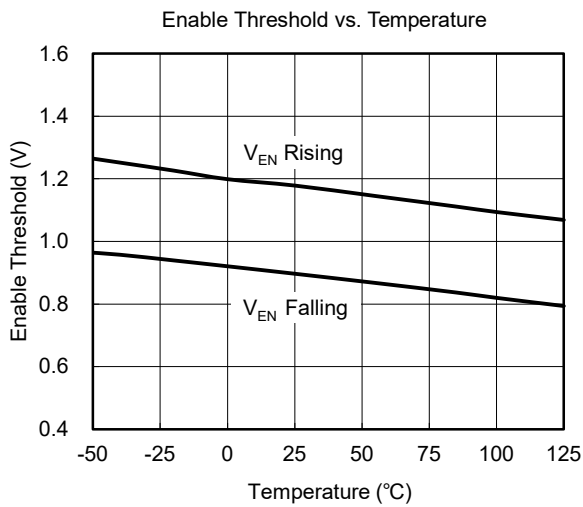
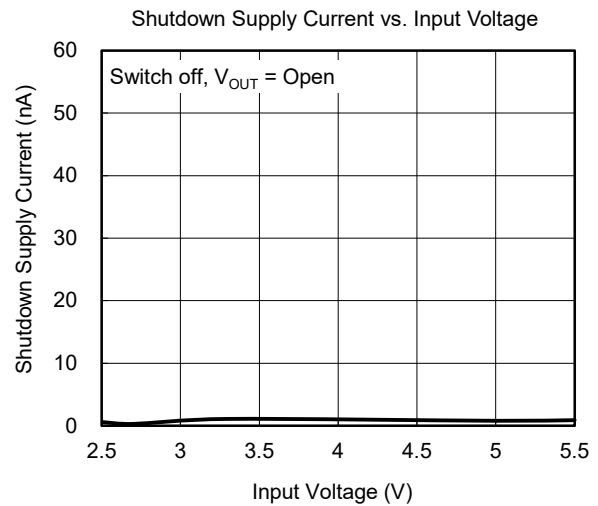
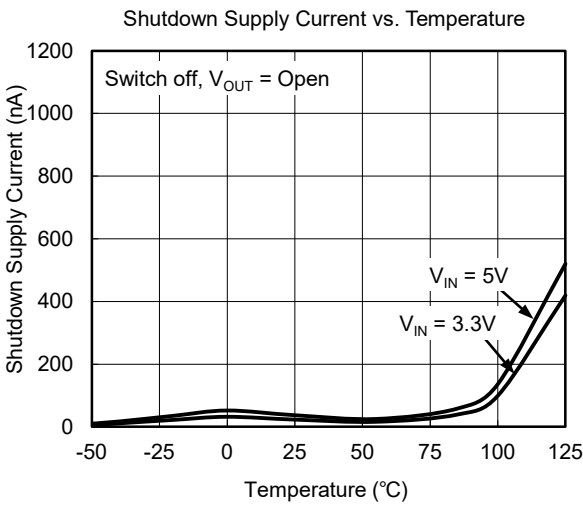
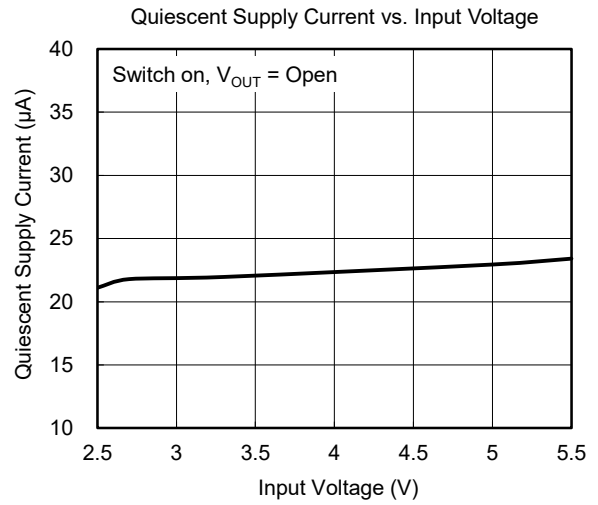
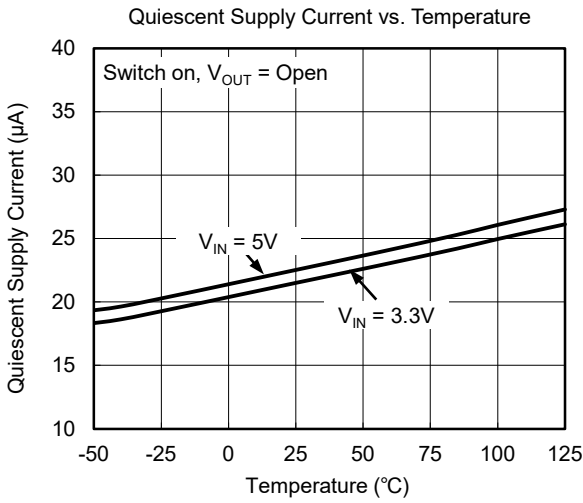
Figure 2. SGM2588 Test Circuit

ELECTRICAL CHARACTERISTICS(T_A = +25°C, V_{IN} = 5V, unless otherwise noted.)

PARAMETER		SYMBOL	CONDITIONS	MIN	TYP	MAX	UNITS
Input Voltage Range		V _{IN}		2.5		5.5	V
Quiescent Supply Current		I _Q	Switch on, V _{OUT} = Open		23	35	μA
Shutdown Supply Current		I _{SD}	Switch off, V _{OUT} = Open		0.1		μA
Supply Leakage Current (SGM2588A/B/C/D/E/F)		I _{LEAKAGE}	Switch off, V _{OUT} = 0V		0.1		μA
Output Leakage Current (SGM2588G/I/K)			Switch off, V _{OUT} = 5V		0.1		μA
Enable Input Threshold		V _{IH}	V _{IN} = 2.5V to 5.5V	1.6			V
		V _{IL}	V _{IN} = 2.5V to 5.5V			0.4	
Enable Input Current (SGM2588A/B/C/D/E/F)		I _{EN}	V _{EN} = 0V to 5V		0.1		μA
EN Pin Pull-Down Resistor (SGM2588G/I/K)		R _{PULL_DOWN}			500		kΩ
Switch Resistance		R _{DS(ON)}	I _{OUT} = 500mA		100		mΩ
Output Turn-On Delay Time		t _{ON}	R _L = 10Ω, C _L = 1μF, Figure 3		2.3		ms
Output Turn-Off Delay Time		t _{OFF}	R _L = 10Ω, C _L = 1μF, Figure 3		25		μs
Current Limit Threshold	SGM2588A/B/G	I _{LIM}	Ramped load	1000	1100	1200	mA
	SGM2588C/D/I		Ramped load	1890	2100	2310	
	SGM2588E/F/K		Ramped load	2300	2600	2900	
Over-Current nFAULT Response Delay Time		t _D	Apply V _{OUT} = 0 until nFAULT is low		13		ms
Under-Voltage Lockout Threshold		V _{UVLO}	V _{IN} rising		2.15	2.3	V
Under-Voltage Lockout Threshold Hysteresis					0.1		V
nFAULT Output Resistance		R _{nFAULT}	nFAULT is low and I _{SINK} = 10mA		20		Ω
nFAULT Leakage Current		I _{nFAULT}	nFAULT is high		0.1		μA
V _{OUT} Shutdown Discharge Resistance (SGM2588A/B/C/D/E/F)		R _{DIS}	Switch off		50		Ω
Thermal Shutdown Temperature			T _J increasing		150		°C
Thermal Shutdown Hysteresis					20		°C

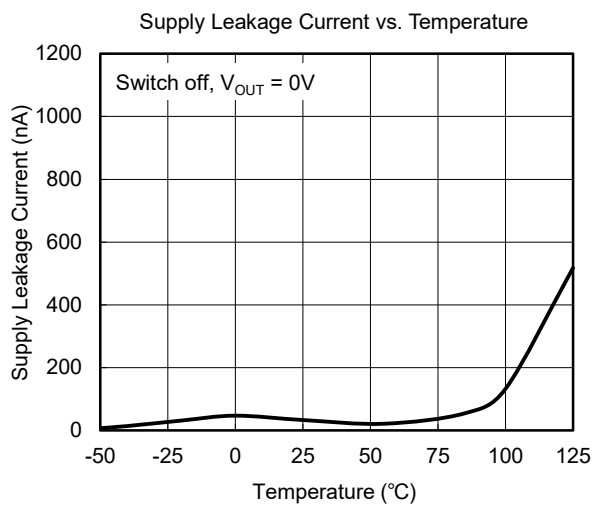
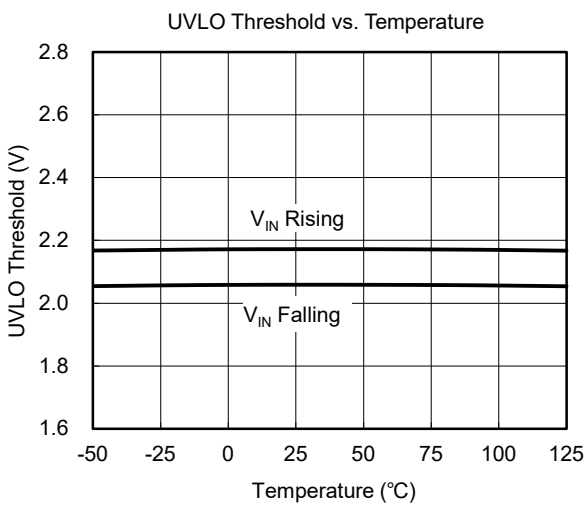
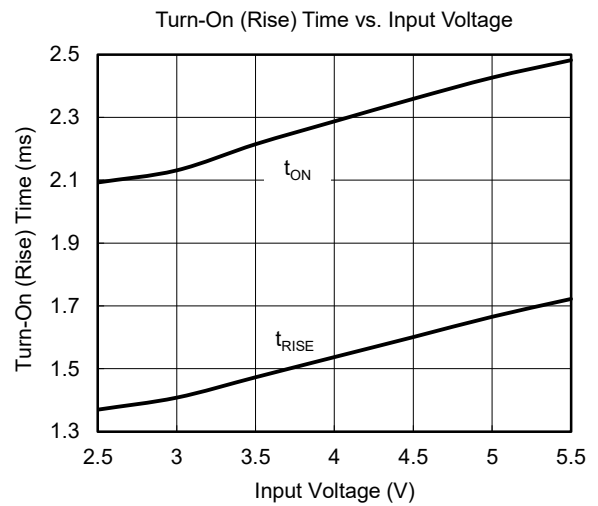
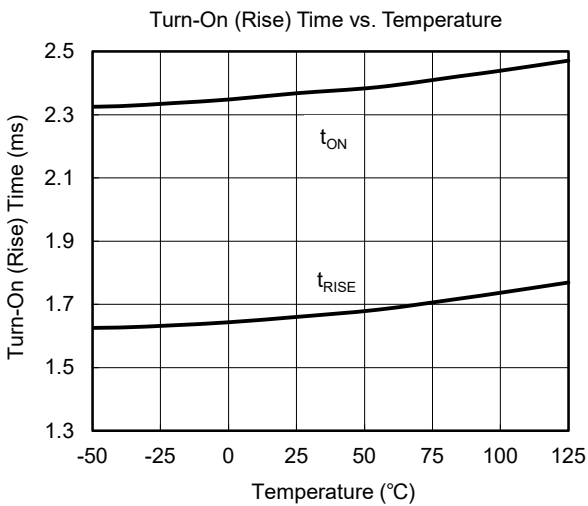
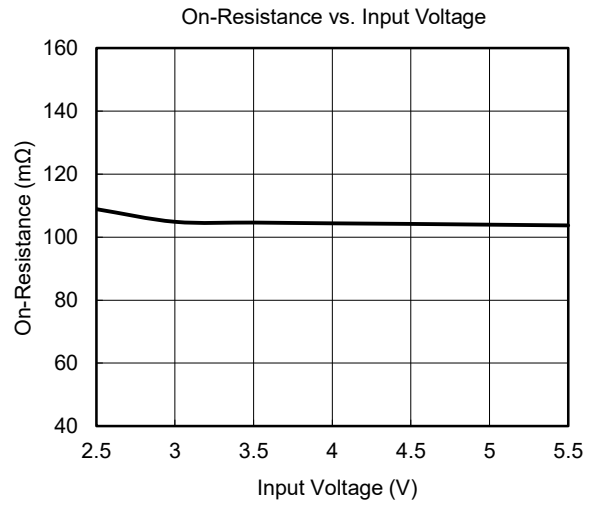
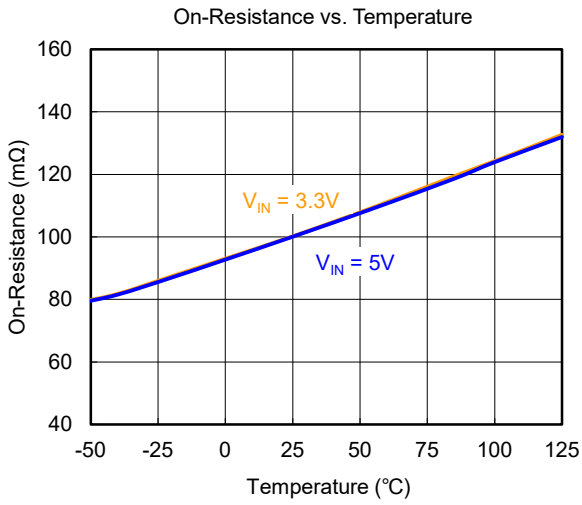
TYPICAL PERFORMANCE CHARACTERISTICS

T_A = +25°C, V_{IN} = 5V, unless otherwise noted.



TYPICAL PERFORMANCE CHARACTERISTICS (continued)

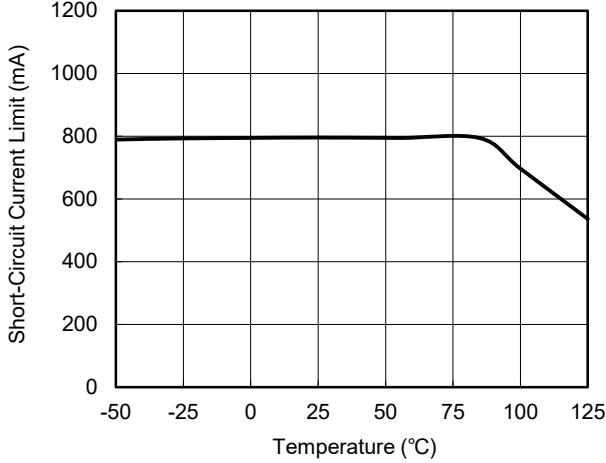
$T_A = +25^\circ\text{C}$, $V_{IN} = 5\text{V}$, unless otherwise noted.



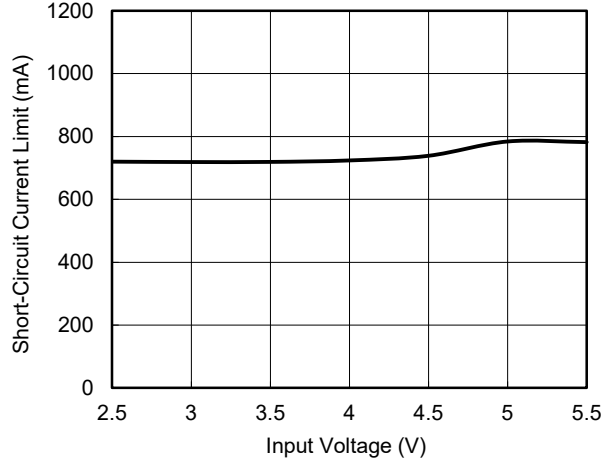
TYPICAL PERFORMANCE CHARACTERISTICS (continued)

T_A = +25°C, V_{IN} = 5V, unless otherwise noted.

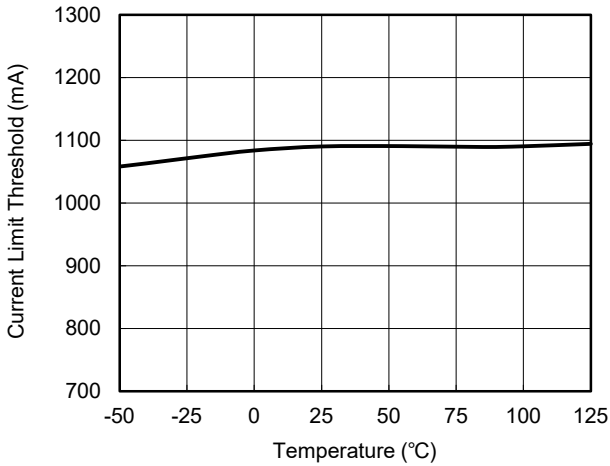
Short-Circuit Current Limit vs. Temperature
(SGM2588A/B/G)



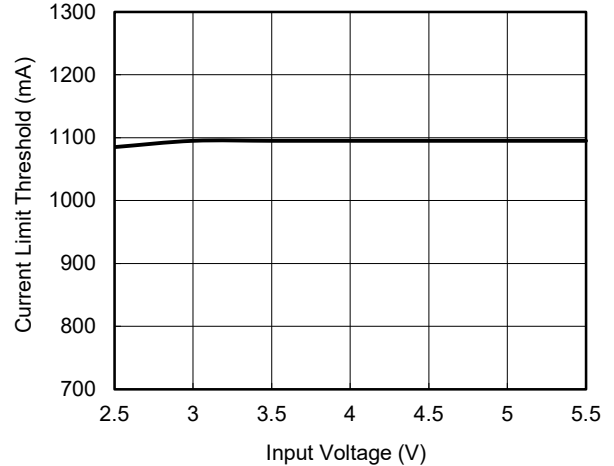
Short-Circuit Current Limit vs. Input Voltage
(SGM2588A/B/G)



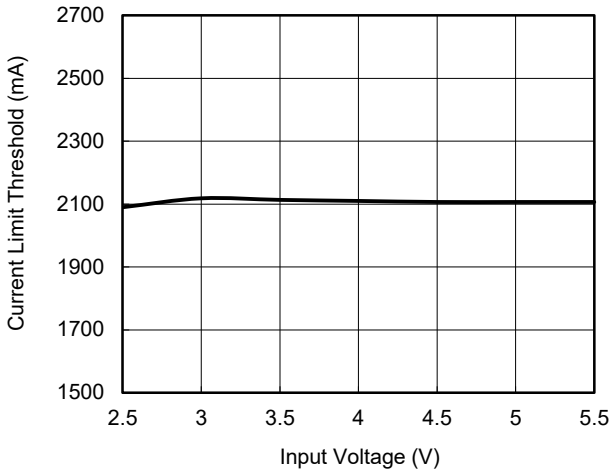
Current Limit Threshold vs. Temperature
(SGM2588A/B/G)



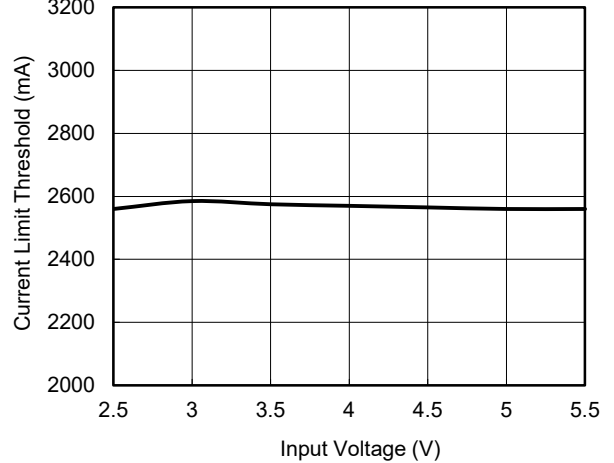
Current Limit Threshold vs. Input Voltage
(SGM2588A/B/G)



Current Limit Threshold vs. Input Voltage
(SGM2588C/D/I)



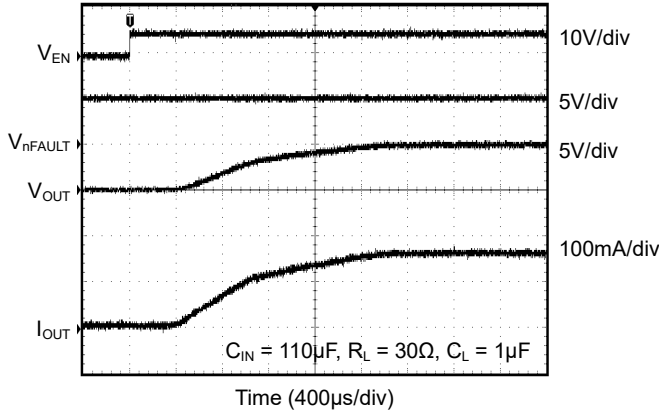
Current Limit Threshold vs. Input Voltage
(SGM2588E/F/K)



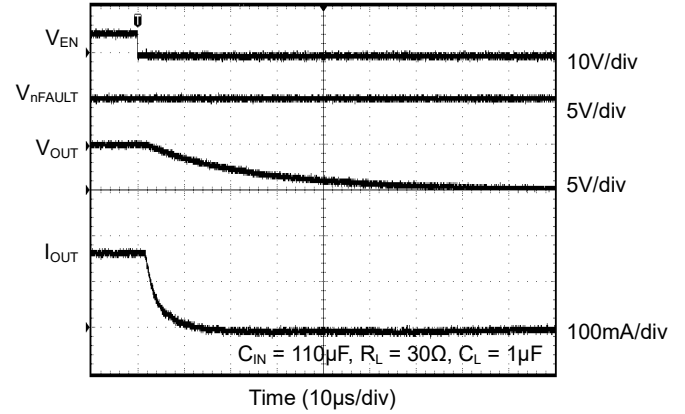
TYPICAL PERFORMANCE CHARACTERISTICS (continued)

T_A = +25°C, V_{IN} = 5V, unless otherwise noted.

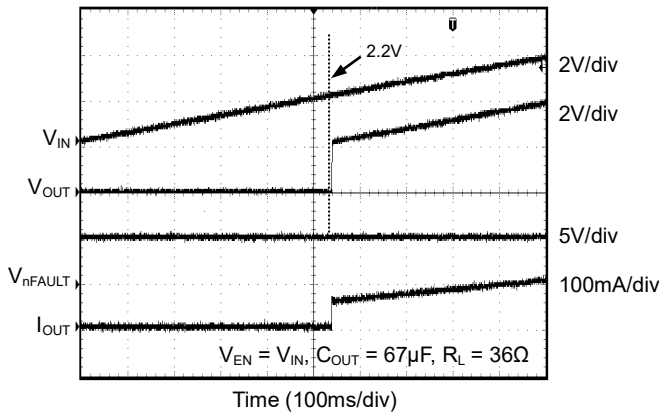
Turn-On Response (SGM2588A/C/E/G/I/K)



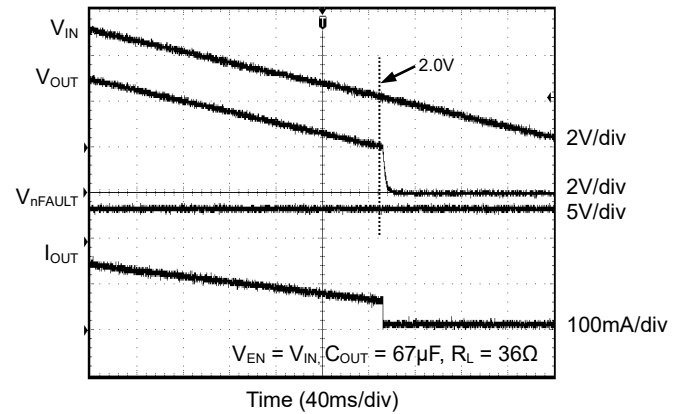
Turn-Off Response (SGM2588A/C/E/G/I/K)



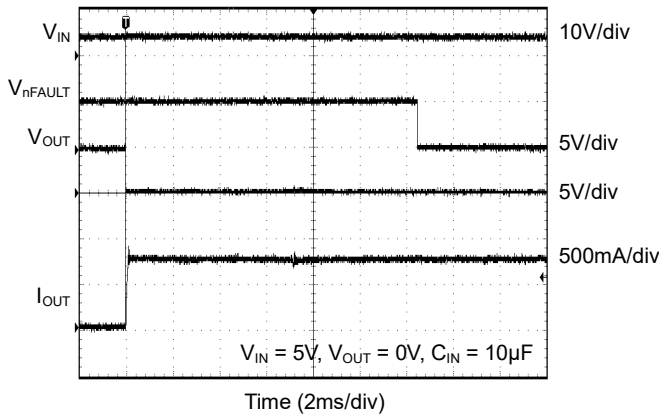
UVLO at V_{IN} Rising



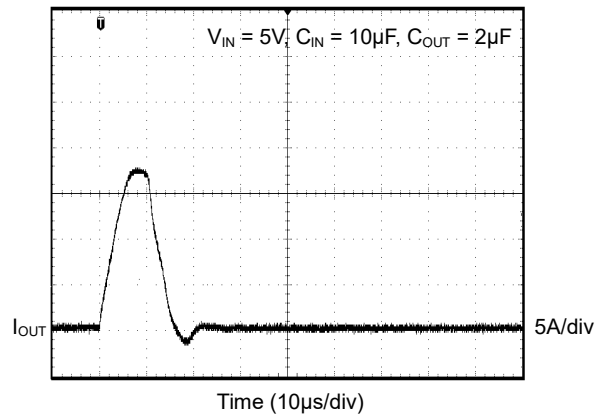
UVLO at V_{IN} Falling



Short-Circuit Response (SGM2588A/B/G)



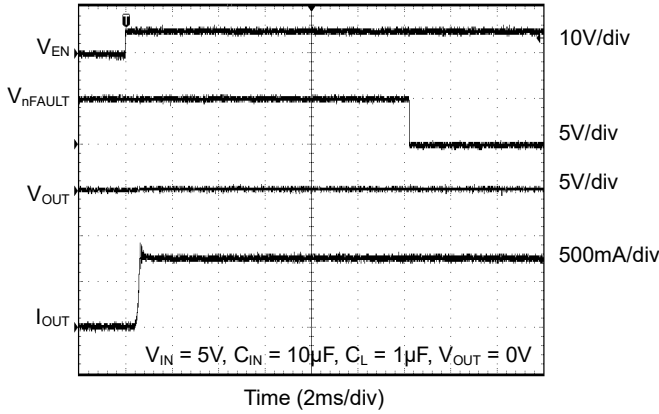
Short-Circuit Response (SGM2588A/B/G)



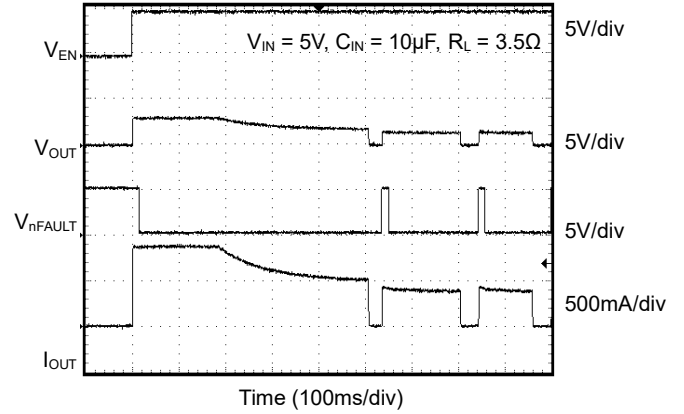
TYPICAL PERFORMANCE CHARACTERISTICS (continued)

T_A = +25°C, V_{IN} = 5V, unless otherwise noted.

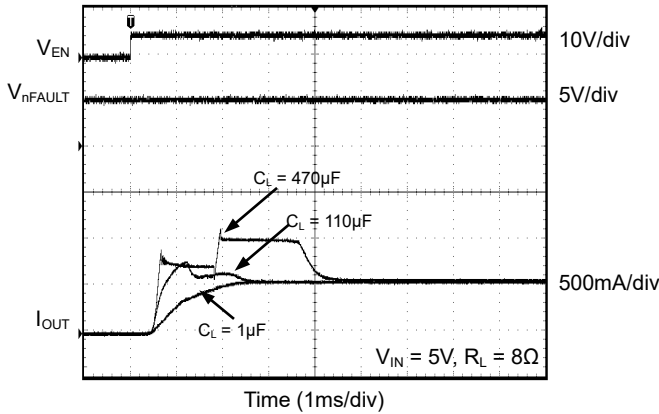
Enabled Into Short-Circuit (SGM2588A/G)



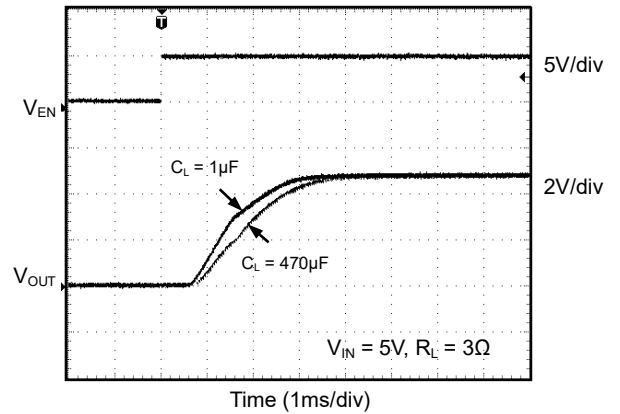
Thermal Shutdown Response (SGM2588A/G)



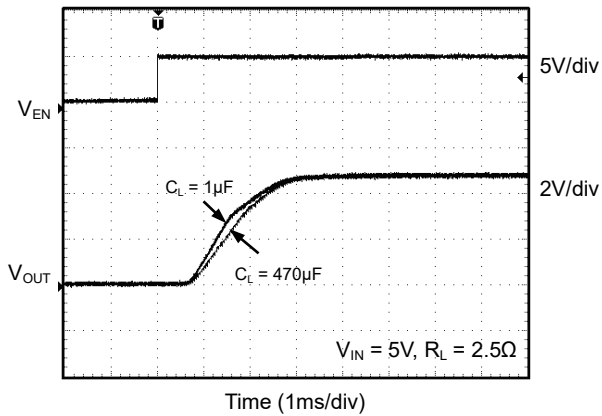
Inrush Current Response (SGM2588A/G)



Inrush Current Response (SGM2588C/I)



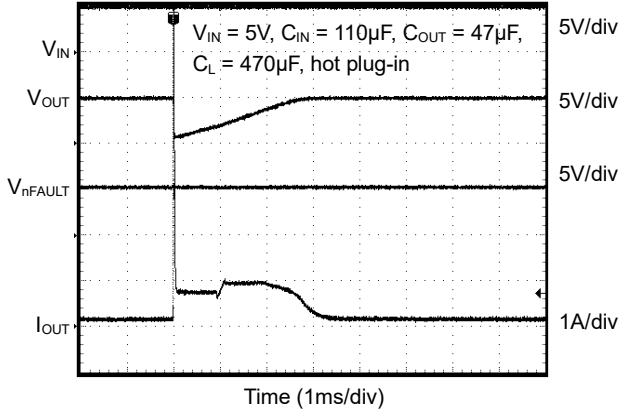
Inrush Current Response (SGM2588E/K)



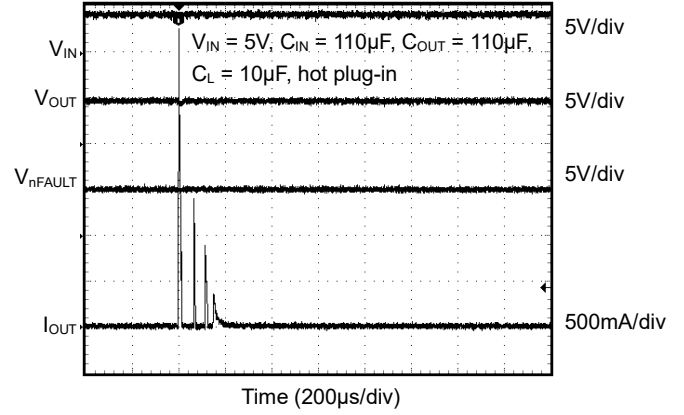
TYPICAL PERFORMANCE CHARACTERISTICS (continued)

$T_A = +25^\circ\text{C}$, $V_{IN} = 5\text{V}$, unless otherwise noted.

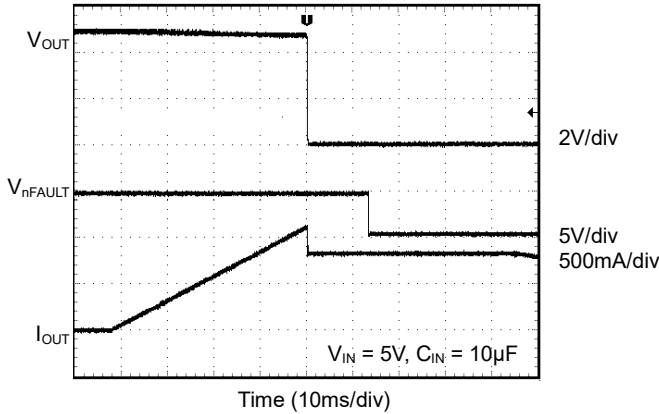
Capacitance Load Inrush Response (SGM2588A/B/G)



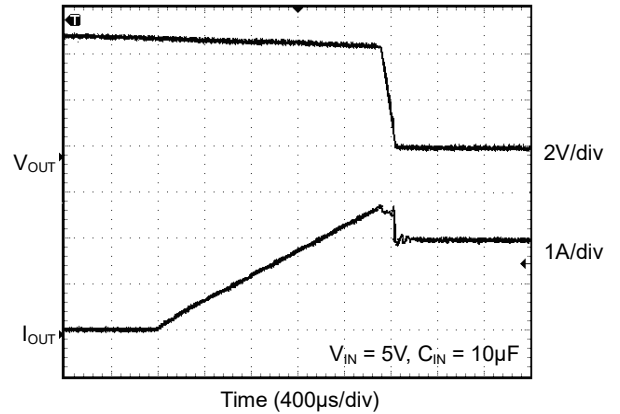
Capacitance Load Inrush Response (SGM2588A/B/G)



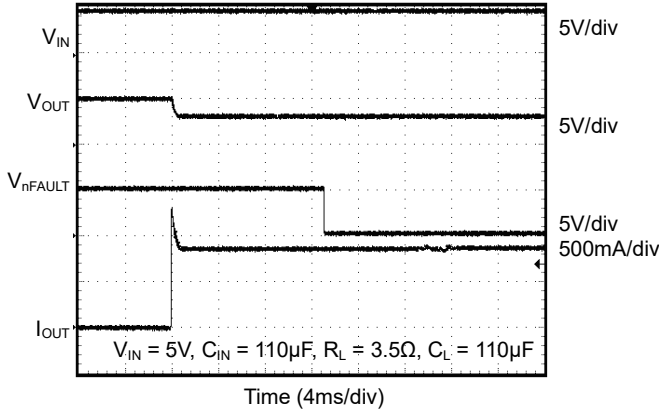
Ramped Load Response (SGM2588A/B/G)



Ramped Load Response (SGM2588E/F/K)



Resistance Load Inrush Response (SGM2588A/B/G)



TIMING DIAGRAM

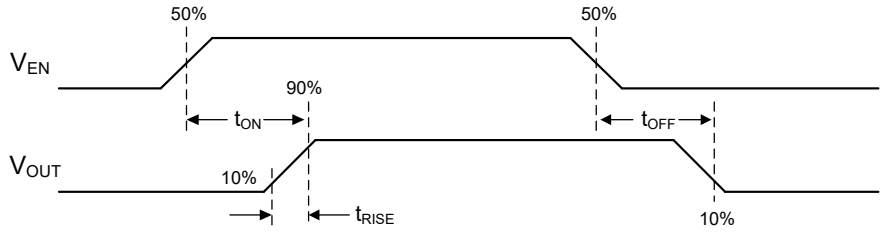


Figure 3. SGM2588A/C/E/G/I/K Switch Turn-On and Turn-Off Delay Times

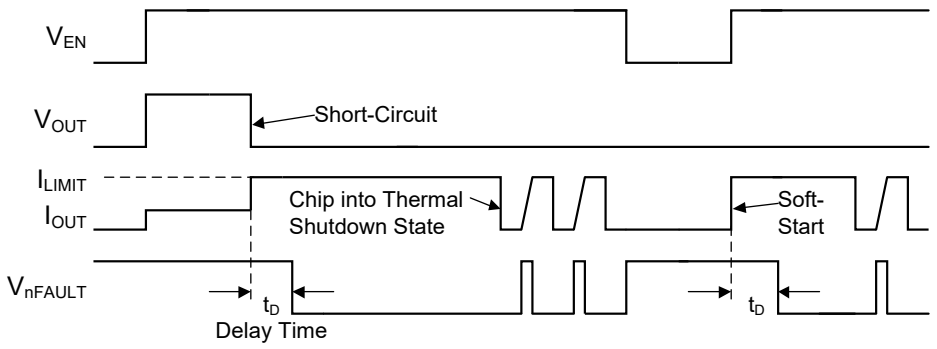


Figure 4. SGM2588A/C/E/G/I/K Fault Timing: Output Reset by Toggling EN

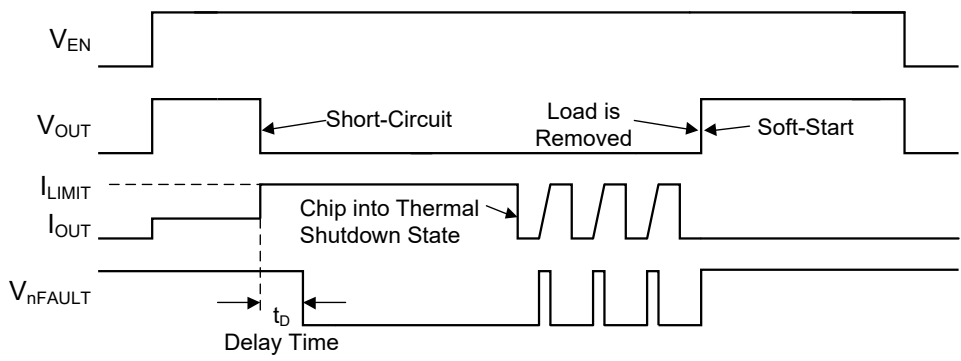


Figure 5. SGM2588A/C/E/G/I/K Fault Timing: Output Reset by Removing Load

FUNCTIONAL BLOCK DIAGRAM

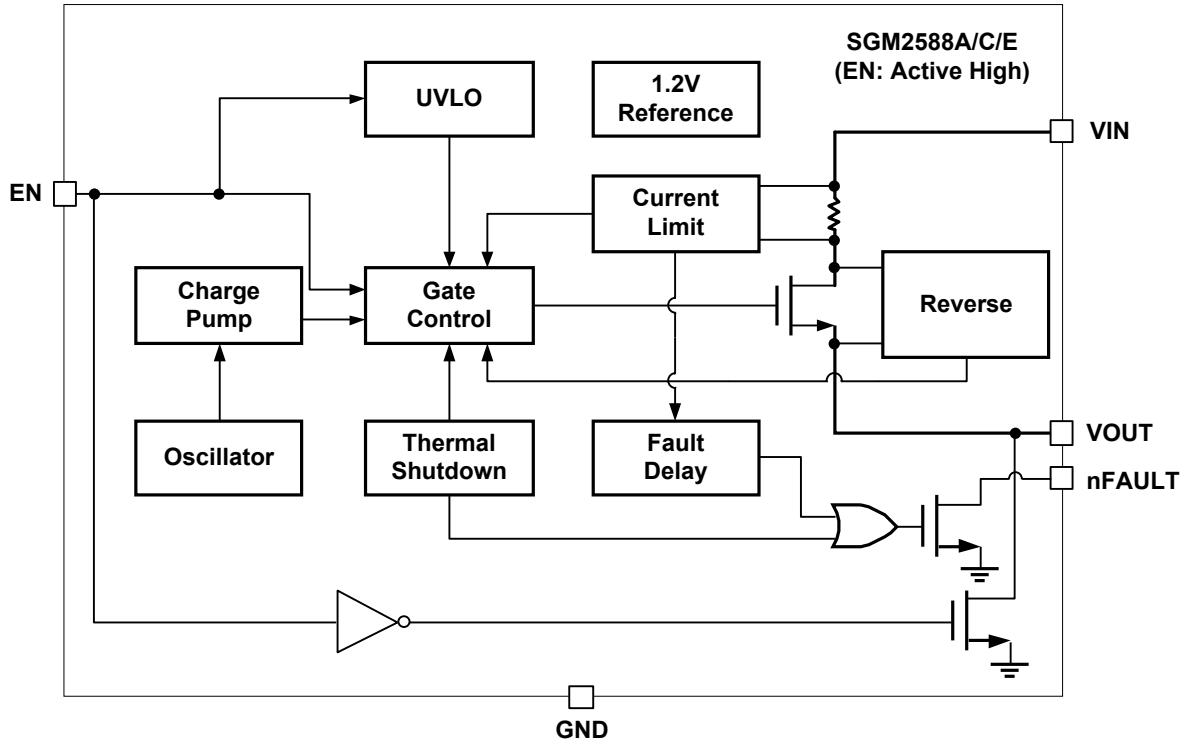


Figure 6. SGM2588A/C/E Block Diagram

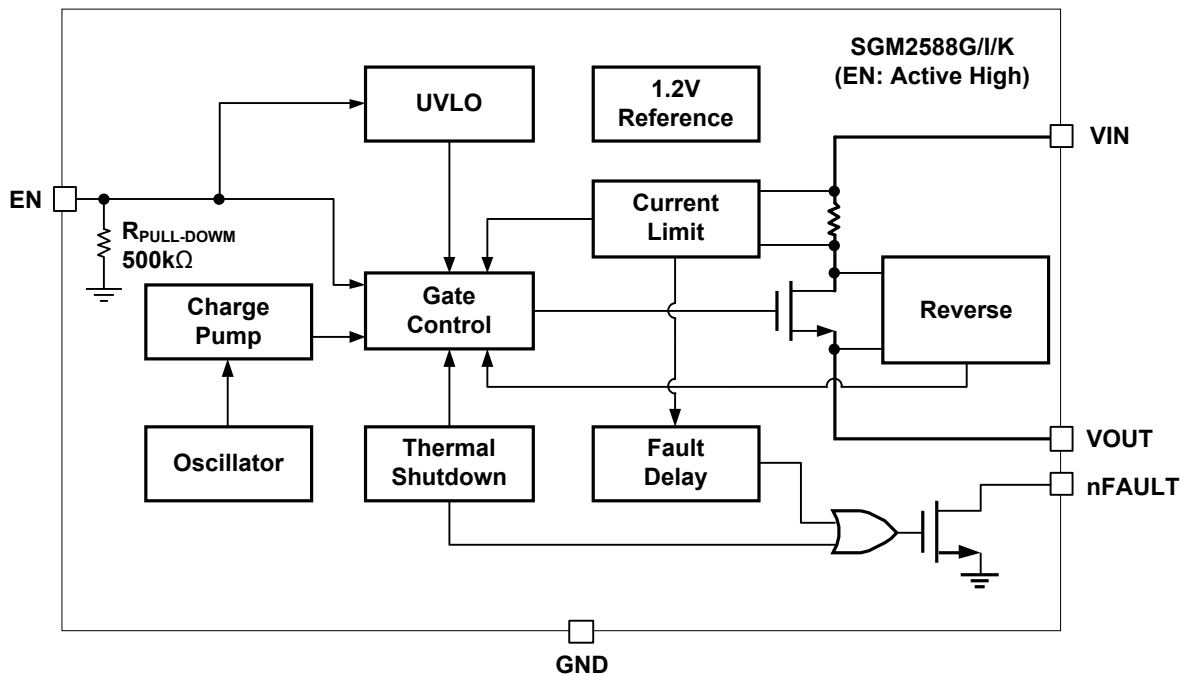


Figure 7. SGM2588G//K Block Diagram

DETAILED DESCRIPTION

Input and Output

VIN is the power supply connection to the logic circuitry and the drain of the MOSFET. VOUT is the source of the output MOSFET. In a typical circuit, current flows from VIN to VOUT toward the load. The output MOSFET and driver circuit are also designed to allow the MOSFET source to be externally forced to a higher voltage than the drain ($V_{OUT} > V_{IN}$) when the switch is disabled.

Thermal Shutdown

Thermal shutdown is employed to protect device and load from damage. It shuts off the output MOSFET and asserts the nFAULT output, if the die temperature exceeds +150°C, and the output MOSFET remains off until the die temperature drops to +130°C.

Soft-Start

In order to eliminate the upstream voltage sag caused by the large inrush current during hot-plug events, the "soft-start" feature effectively isolates power supplies from such highly capacitive loads.

Under-Voltage Lockout (UVLO)

UVLO prevents the MOSFET switch from turning on until input voltage exceeds 2.15V (TYP). If input voltage drops below 2.05V (TYP), UVLO shuts off the MOSFET switch. Under-voltage detection functions only when the switch is enabled.

Current Limit and Short-Circuit Protection

The current limit circuit is designed to limit the output current to protect the upstream power supply. The typical current limit threshold is set internally to approximately 1.1A (SGM2588A/B/G), 2.1A (SGM2588C/D/I), 2.6A (SGM2588E/F/K). Under output short-circuit condition, the typical current limit folded back 75%. If SGM2588 keeps at over-current condition for a long time, the junction temperature may exceed 150°C, and over-temperature protection will shut down the output until temperature drops 130°C or limit (short) condition is removed.

Reverse-Voltage Protection

The reverse-voltage protection feature turns off the N-MOSFET switch whenever the output voltage exceeds the input voltage by 50mV (TYP). Its hysteresis voltage is 38mV (TYP).

Fault Flag (nFAULT)

The nFAULT signal is an open-drain N-MOSFET output. nFAULT is asserted (active low) when an over-current or thermal shutdown condition occurs. Figure 4 and Figure 5 depict typical timings.

In the case of an over-current condition, nFAULT will be asserted only after the response delay time (t_D) has elapsed. This ensures that nFAULT is asserted only upon valid over-current conditions and that erroneous error reporting is eliminated.

For example, false over-current conditions can occur during hot-plug events when a highly capacitive load is connected and causes a high transient inrush current that exceeds the current limit threshold for up to 1ms. The nFAULT response delay time t_D is 13ms (TYP).

Power Dissipation

The device's junction temperature depends on several factors such as the load, PCB layout, ambient temperature, and package type. Equations that can be used to calculate power dissipation and junction temperature are found below:

$$P_D = R_{DS(ON)} \times I_{OUT}^2$$

To relate this to junction temperature, the following equation can be used:

$$T_J = P_D \times \theta_{JA} + T_A$$

where:

T_J is junction temperature, T_A is ambient temperature, and θ_{JA} is the thermal resistance of the package.

APPLICATION INFORMATION

Supply Filter Capacitor

In order to prevent the input voltage drooping during hot-plug events, connect a ceramic capacitor (C_{IN}) from VIN to GND. The C_{IN} is positioned close to VIN and GND of the device. However, higher capacitor values could reduce the voltage sag on the input further. Furthermore, an output short will cause ringing on the input without the input capacitor. It could destroy the internal circuitry when the input transient exceeds 6V which is the absolute maximum supply voltage even for a short duration.

If the upstream supply cable is long or the VIN transient exceeds 6V during the VOUT short, recommend adding a second filter capacitor (not less than 47 μ F) at the upstream supply output terminal.

Output Filter Capacitor

Between VOUT and GND, connect a low-ESR 10 μ F ceramic capacitor to meet the 330mV maximum drop requirement. Standard bypass methods should be used to minimize inductance and resistance between the bypass capacitor and the down-stream connector. This will reduce EMI and improve the transient performance. If long cables are connected to the output terminals, an anti-parallel Schottky diode such as BAT54 is suggested to be placed in parallel with the output terminals to absorb the negative ringing due to the cable inductance.

PCB Layout Guide

For best performance of the SGM2588, the following guidelines must be strictly followed:

- Keep all V_{BUS} traces as short and wide as possible and use at least 2 ounce copper for all V_{BUS} traces.
- Place a ground plane under all circuitry to lower both resistance and inductance and improve DC and transient performance.
- Dual low-ESR 10 μ F ceramic capacitors between VOUT and GND, VIN and GND.
- Locate the output capacitor as close to the connectors as possible to lower impedance (mainly inductance) between the port and the capacitor and improve transient performance.
- Input and output capacitors should be placed closed to the IC and connected to ground plane to reduce noise coupling.
- Locate the ceramic bypass capacitors as close as possible to the VIN pin and VOUT pin of SGM2588.

REVISION HISTORY

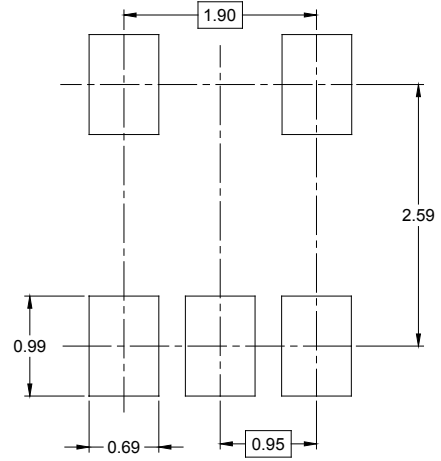
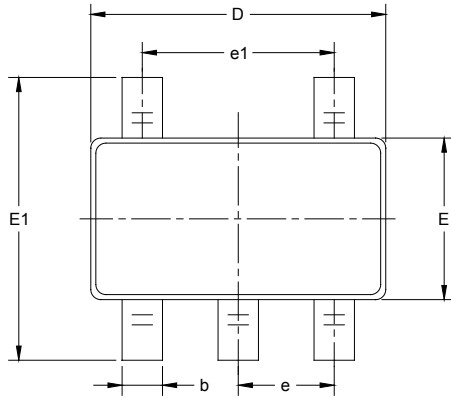
NOTE: Page numbers for previous revisions may differ from page numbers in the current version.

FEBRUARY 2019 – REV.A.2 to REV.A.3	Page
Updated Absolute Maximum Ratings section.....	2
<hr/>	
DECEMBER 2017 – REV.A.1 to REV.A.2	Page
Update Feature section	1
<hr/>	
APRIL 2016 – REV.A to REV.A.1	Page
Changed Reverse-Voltage Protection section.....	10
<hr/>	
Changes from Original (OCTOBER 2015) to REV.A	Page
Changed from product preview to production data.....	All

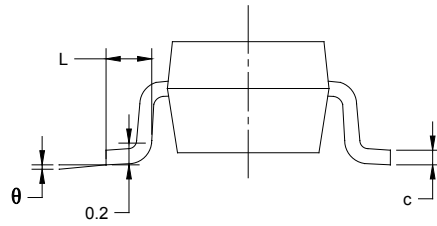
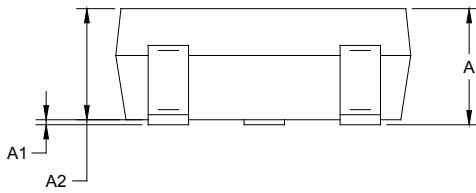
PACKAGE INFORMATION

PACKAGE OUTLINE DIMENSIONS

SOT-23-5



RECOMMENDED LAND PATTERN (Unit: mm)

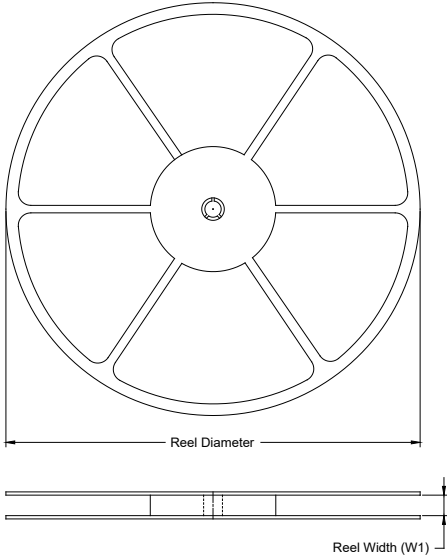


Symbol	Dimensions In Millimeters		Dimensions In Inches	
	MIN	MAX	MIN	MAX
A	1.050	1.250	0.041	0.049
A1	0.000	0.100	0.000	0.004
A2	1.050	1.150	0.041	0.045
b	0.300	0.500	0.012	0.020
c	0.100	0.200	0.004	0.008
D	2.820	3.020	0.111	0.119
E	1.500	1.700	0.059	0.067
E1	2.650	2.950	0.104	0.116
e	0.950 BSC		0.037 BSC	
e1	1.900 BSC		0.075 BSC	
L	0.300	0.600	0.012	0.024
θ	0°	8°	0°	8°

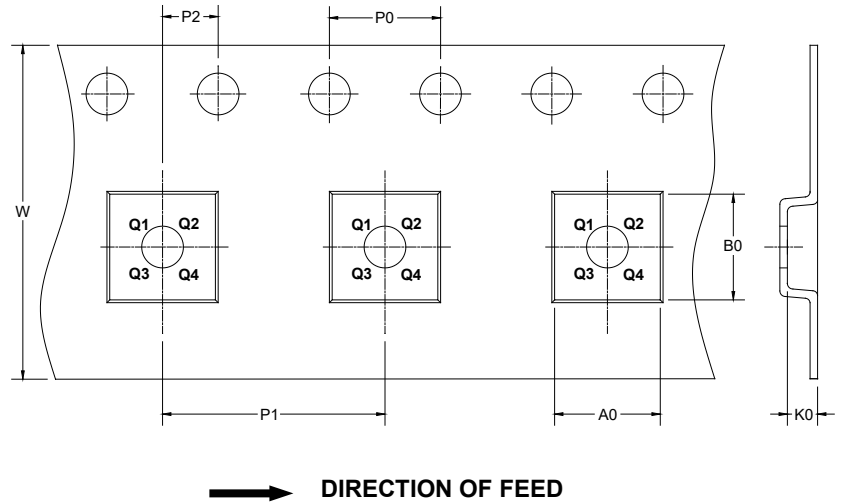
PACKAGE INFORMATION

TAPE AND REEL INFORMATION

REEL DIMENSIONS



TAPE DIMENSIONS



NOTE: The picture is only for reference. Please make the object as the standard.

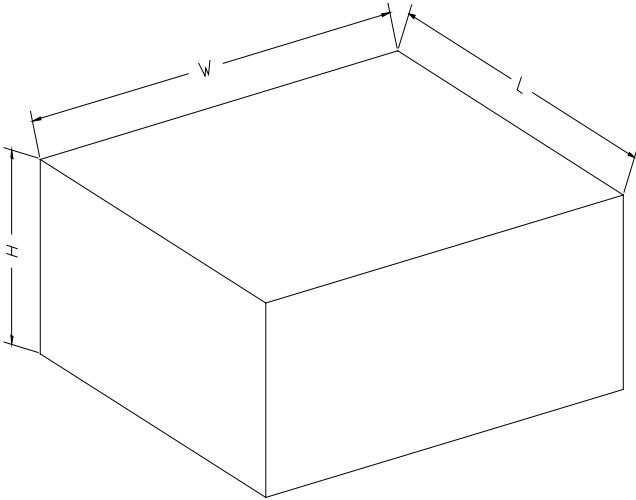
KEY PARAMETER LIST OF TAPE AND REEL

Package Type	Reel Diameter	Reel Width W1 (mm)	A0 (mm)	B0 (mm)	K0 (mm)	P0 (mm)	P1 (mm)	P2 (mm)	W (mm)	Pin1 Quadrant
SOT-23-5	7"	9.5	3.20	3.20	1.40	4.0	4.0	2.0	8.0	Q3

DD0001

PACKAGE INFORMATION

CARTON BOX DIMENSIONS



NOTE: The picture is only for reference. Please make the object as the standard.

KEY PARAMETER LIST OF CARTON BOX

Reel Type	Length (mm)	Width (mm)	Height (mm)	Pizza/Carton
7" (Option)	368	227	224	8
7"	442	410	224	18

DD0002