

74LVC1G32

Single 2-Input OR Gate

GENERAL DESCRIPTION

The 74LVC1G32 provides a single 2-input OR gate that is designed for 1.65V to 5.5V V_{CC} operation. The device performs the Boolean function $Y = A + B$ or $Y = \overline{\overline{A} \cdot \overline{B}}$ in positive logic.

Input can be driven from either 3.3V or 5V devices. The feature allows the use of the device in a mixed 3.3V and 5V environment.

Schmitt trigger action at all inputs makes the circuit tolerant for slower input rise and fall time.

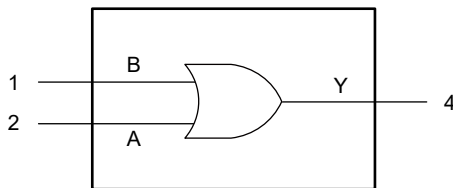
The CMOS device has high output drive while maintaining low static power dissipation over a broad V_{CC} operating range.

This device is fully specified for partial power-down applications using I_{OFF} . The I_{OFF} circuitry disables the output, preventing the damaging backflow current through the device when it is powered down.

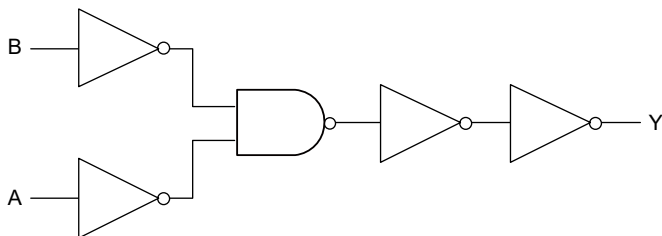
FEATURES

- Wide Supply Voltage Range: 1.65V to 5.5V
- High Noise Immunity
- $\pm 24\text{mA}$ Output Drive at $V_{CC} = 3.0\text{V}$
- CMOS Low Power Consumption
- Direct Interface with TTL Levels
- Inputs Accept Voltages up to 5V
- -40°C to $+125^{\circ}\text{C}$ Operating Temperature Range
- Available in a Green SC70-5 Package

LOGIC SYMBOL



LOGIC DIAGRAM



FUNCTIONAL TABLE

INPUT		OUTPUT
A	B	Y
L	L	L
L	H	H
H	L	H
H	H	H

$$Y = A + B \text{ or } Y = \overline{\overline{A} \cdot \overline{B}}$$

H = High Voltage Level

L = Low Voltage Level

PACKAGE/ORDERING INFORMATION

MODEL	PACKAGE DESCRIPTION	SPECIFIED TEMPERATURE RANGE	ORDERING NUMBER	PACKAGE MARKING	PACKING OPTION
74LVC1G32	SC70-5	-40°C to +125°C	74LVC1G32XC5G/TR	R57XX	Tape and Reel, 3000

MARKING INFORMATION

NOTE: XX = Date Code.

YYY X X

Date Code - Week

Date Code - Year

Serial Number

Green (RoHS & HSF): SG Micro Corp defines "Green" to mean Pb-Free (RoHS compatible) and free of halogen substances. If you have additional comments or questions, please contact your SGMICRO representative directly.

ABSOLUTE MAXIMUM RATINGS ⁽¹⁾

Supply Voltage, V_{CC}	-0.5V to 6.5V
Input Voltage, V_I ⁽²⁾	-0.5V to 6.5V
Output Voltage, V_O ⁽²⁾	
Active Mode	-0.5V to $V_{CC} + 0.5V$
Power-Down Mode, $V_{CC} = 0V$	-0.5V to 6.5V
Input Clamping Current, I_{IK} ($V_I < 0V$).....	-50mA
Output Clamping Current, I_{OK} ($V_O > V_{CC}$ or $V_O < 0V$)	$\pm 50mA$
Output Current, I_O ($V_O = 0V$ to V_{CC})	$\pm 50mA$
Supply Current, I_{CC}	50mA
Ground Current, I_{GND}	-50mA
Junction Temperature ⁽³⁾	+150°C
Storage Temperature Range	-65°C to +150°C
Lead Temperature (Soldering, 10s).....	+260°C
ESD Susceptibility	
HBM.....	6000V
CDM	1000V

RECOMMENDED OPERATING CONDITIONS

Supply Voltage, V_{CC}	1.65V to 5.5V
Input Voltage, V_I	0V to 5.5V
Output Voltage, V_O	
Active Mode	0V to V_{CC}
Power-Down Mode, $V_{CC} = 0V$	0V to 5.5V
Input Transition Rise and Fall Rate, $\Delta t/\Delta V$	
$V_{CC} = 1.65V$ to $2.7V$	20ns/V (MAX)
$V_{CC} = 2.7V$ to $5.5V$	10ns/V (MAX)
Operating Temperature Range	-40°C to +125°C

OVERSTRESS CAUTION

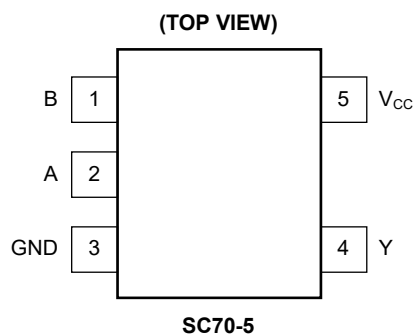
1. Stresses beyond those listed in Absolute Maximum Ratings may cause permanent damage to the device. Exposure to absolute maximum rating conditions for extended periods may affect reliability. Functional operation of the device at any conditions beyond those indicated in the Recommended Operating Conditions section is not implied.
2. The input and output voltage ratings may be exceeded if the input and output clamp current ratings are observed.
3. The performance capability of a high-performance integrated circuit in conjunction with its thermal environment can create junction temperatures which are detrimental to reliability.

ESD SENSITIVITY CAUTION

This integrated circuit can be damaged if ESD protections are not considered carefully. SGMICRO recommends that all integrated circuits be handled with appropriate precautions. Failure to observe proper handling and installation procedures can cause damage. ESD damage can range from subtle performance degradation to complete device failure. Precision integrated circuits may be more susceptible to damage because even small parametric changes could cause the device not to meet the published specifications.

DISCLAIMER

SG Micro Corp reserves the right to make any change in circuit design, or specifications without prior notice.

PIN CONFIGURATION**PIN DESCRIPTION**

PIN	NAME	FUNCTION
1, 2	B, A	Data Inputs.
3	GND	Ground.
4	Y	Data Output.
5	V _{cc}	Supply Voltage.

ELECTRICAL CHARACTERISTICS(Full = -40°C to +125°C, all typical values are measured at $V_{CC} = 3.3V$ and $T_A = +25^\circ C$, unless otherwise noted.)

PARAMETER	SYMBOL	CONDITIONS	TEMP	MIN	TYP	MAX	UNITS	
High-Level Input Voltage	V_{IH}	$V_{CC} = 1.65V$ to $1.95V$	Full	$0.65 \times V_{CC}$			V	
		$V_{CC} = 2.3V$ to $2.7V$	Full	1.7				
		$V_{CC} = 2.7V$ to $3.6V$	Full	2				
		$V_{CC} = 4.5V$ to $5.5V$	Full	$0.7 \times V_{CC}$				
Low-Level Input Voltage	V_{IL}	$V_{CC} = 1.65V$ to $1.95V$	Full			$0.35 \times V_{CC}$	V	
		$V_{CC} = 2.3V$ to $2.7V$	Full			0.7		
		$V_{CC} = 2.7V$ to $3.6V$	Full			0.8		
		$V_{CC} = 4.5V$ to $5.5V$	Full			$0.3 \times V_{CC}$		
High-Level Output Voltage	V_{OH}	$V_I = V_{IH}$ or V_{IL}	$V_{CC} = 1.65V$ to $5.5V$, $I_O = -100\mu A$	Full	$V_{CC} - 0.05$	$V_{CC} - 0.01$	V	
			$V_{CC} = 1.65V$, $I_O = -4mA$	Full	1.43	1.55		
			$V_{CC} = 2.3V$, $I_O = -8mA$	Full	2.02	2.18		
			$V_{CC} = 2.7V$, $I_O = -12mA$	Full	2.38	2.56		
			$V_{CC} = 3.0V$, $I_O = -24mA$	Full	2.52	2.74		
			$V_{CC} = 4.5V$, $I_O = -32mA$	Full	4	4.22		
Low-Level Output Voltage	V_{OL}	$V_I = V_{IH}$ or V_{IL}	$V_{CC} = 1.65V$ to $5.5V$, $I_O = 100\mu A$	Full		0.01	0.05	V
			$V_{CC} = 1.65V$, $I_O = 4mA$	Full		0.1	0.22	
			$V_{CC} = 2.3V$, $I_O = 8mA$	Full		0.12	0.28	
			$V_{CC} = 2.7V$, $I_O = 12mA$	Full		0.16	0.34	
			$V_{CC} = 3.0V$, $I_O = 24mA$	Full		0.3	0.56	
			$V_{CC} = 4.5V$, $I_O = 32mA$	Full		0.32	0.6	
Input Leakage Current	I_I	$V_{CC} = 0V$ to $5.5V$, $V_I = 5.5V$ or GND	Full		± 0.01	± 1	μA	
Power-Off Leakage Current	I_{OFF}	$V_{CC} = 0V$, V_I or $V_O = 5.5V$	Full		± 0.01	± 1	μA	
Supply Current	I_{CC}	$V_{CC} = 1.65V$ to $5.5V$, $V_I = 5.5V$ or GND, $I_O = 0A$	Full		0.01	1	μA	
Additional Supply Current	ΔI_{CC}	Per pin, $V_{CC} = 2.3V$ to $5.5V$, $V_I = V_{CC} - 0.6V$, $I_O = 0A$	Full		0.05	10	μA	
Input Capacitance	C_I	$V_{CC} = 3.3V$, $V_I = GND$ to V_{CC}	+25°C		3.5		pF	

DYNAMIC CHARACTERISTICS

(For test circuit, see Figure 1. Full = -40°C to +125°C, all typical values are measured at $T_A = +25^\circ\text{C}$ and $V_{CC} = 1.8\text{V}, 2.5\text{V}, 2.7\text{V}, 3.3\text{V}$ and 5.0V respectively, unless otherwise noted.)

PARAMETER	SYMBOL	CONDITIONS	TEMP	MIN ⁽¹⁾	TYP	MAX ⁽¹⁾	UNITS	
Propagation Delay ⁽²⁾	t_{PD}	A, B to Y, see Figure 2	$V_{CC} = 1.65\text{V to } 1.95\text{V}$	Full	0.1	7.2	15.5	ns
			$V_{CC} = 2.3\text{V to } 2.7\text{V}$	Full	0.5	3.9	8.5	
			$V_{CC} = 2.7\text{V}$	Full	0.5	3.5	7.5	
			$V_{CC} = 3.0\text{V to } 3.6\text{V}$	Full	0.5	3.2	6.5	
			$V_{CC} = 4.5\text{V to } 5.5\text{V}$	Full	0.1	2.7	5.0	
Power Dissipation Capacitance ⁽³⁾	C_{PD}	$V_{CC} = 3.3\text{V}, V_I = \text{GND to } V_{CC}$	+25°C		18		pF	

NOTES:

- Specified by design and characterization; not production tested.
- t_{PD} is the same as t_{PLH} and t_{PHL} .
- C_{PD} is used to determine the dynamic power dissipation (P_D in μW).

$$P_D = C_{PD} \times V_{CC}^2 \times f_i \times N + \Sigma(C_L \times V_{CC}^2 \times f_o)$$

where:

f_i = Input frequency in MHz.

f_o = Output frequency in MHz.

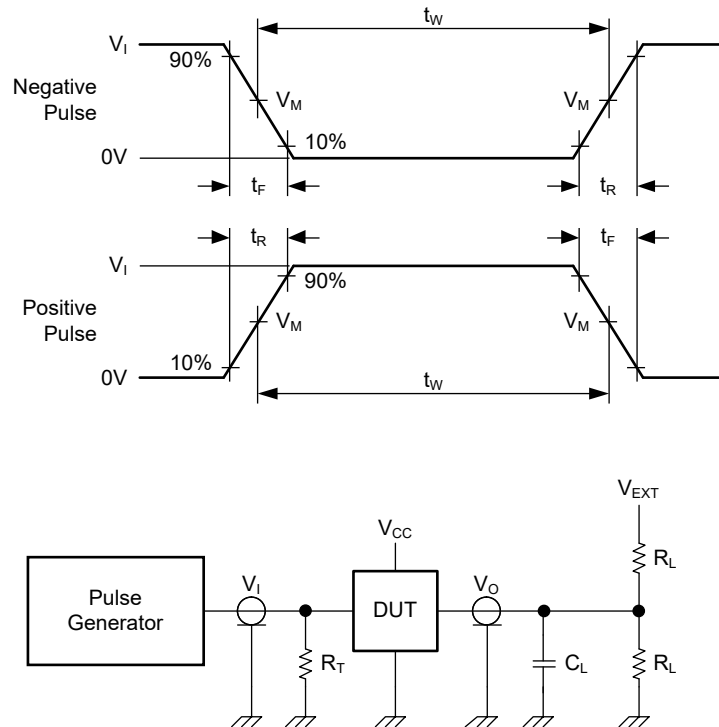
C_L = Output load capacitance in pF.

V_{CC} = Supply voltage in Volts.

N = Number of inputs switching.

$\Sigma(C_L \times V_{CC}^2 \times f_o)$ = Sum of outputs.

TEST CIRCUIT



Test conditions are given in Table 1.

Definitions for test circuit:

R_L = Load resistance.

C_L = Load capacitance including jig and probe capacitance.

R_T = Termination resistance should be equal to the output impedance Z_o of the pulse generator.

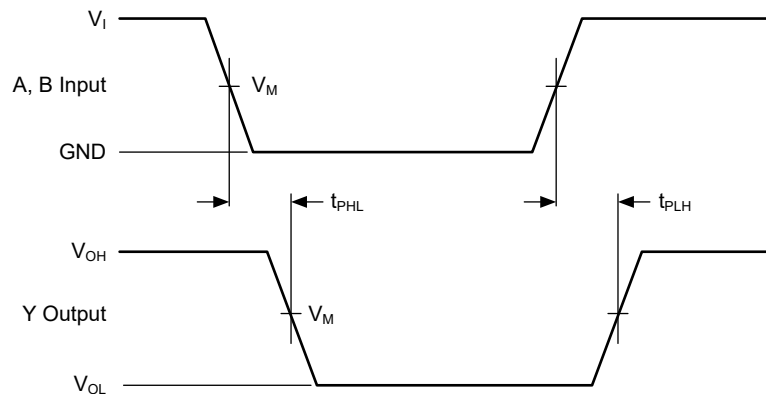
V_{EXT} = External voltage for measuring switching times.

Figure 1. Test Circuit for Measuring Switching Times

Table 1. Test Conditions

SUPPLY VOLTAGE	INPUT		LOAD		V_{EXT}
V_{CC}	V_I	$t_R = t_F$	C_L	R_L	t_{PLH}, t_{PHL}
1.65V to 1.95V	V_{CC}	$\leq 2.0\text{ns}$	30pF	1k Ω	Open
2.3V to 2.7V	V_{CC}	$\leq 2.0\text{ns}$	30pF	500 Ω	Open
2.7V	2.7V	$\leq 2.5\text{ns}$	50pF	500 Ω	Open
3.0V to 3.6V	2.7V	$\leq 2.5\text{ns}$	50pF	500 Ω	Open
4.5V to 5.5V	V_{CC}	$\leq 2.5\text{ns}$	50pF	500 Ω	Open

WAVEFORMS



Test conditions are given in Table 1.

Measurement points are given in Table 2.

Logic levels: V_{OL} and V_{OH} are typical output voltage levels that occur with the output load.

Figure 2. The Data Input A, B to Output Y Propagation Delays

Table 2. Measurement Points

SUPPLY VOLTAGE	INPUT	OUTPUT
V_{CC}	$V_M^{(1)}$	V_M
1.65V to 1.95V	$0.5 \times V_{CC}$	$0.5 \times V_{CC}$
2.3V to 2.7V	$0.5 \times V_{CC}$	$0.5 \times V_{CC}$
2.7V	1.5V	1.5V
3.0V to 3.6V	1.5V	1.5V
4.5V to 5.5V	$0.5 \times V_{CC}$	$0.5 \times V_{CC}$

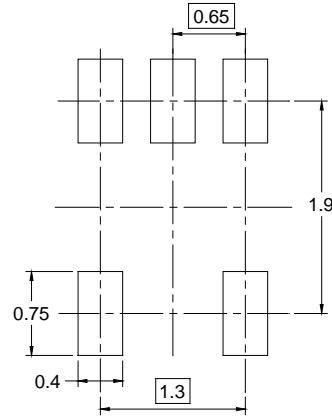
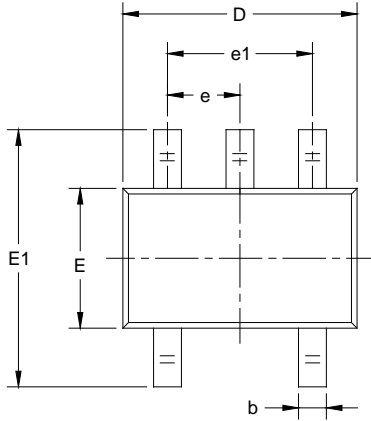
NOTE:

1. The measurement points should be V_{IH} or V_{IL} when the input rising or falling time exceeds 2.5ns.

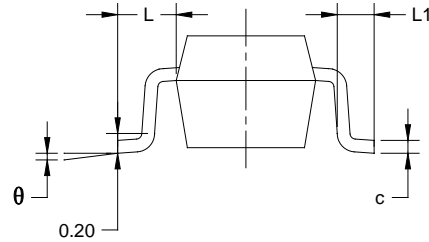
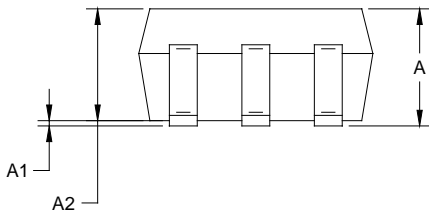
PACKAGE INFORMATION

PACKAGE OUTLINE DIMENSIONS

SC70-5



RECOMMENDED LAND PATTERN (Unit: mm)



Symbol	Dimensions In Millimeters		Dimensions In Inches	
	MIN	MAX	MIN	MAX
A	0.800	1.100	0.031	0.043
A1	0.000	0.100	0.000	0.004
A2	0.800	1.000	0.031	0.039
b	0.150	0.350	0.006	0.014
c	0.080	0.220	0.003	0.009
D	2.000	2.200	0.079	0.087
E	1.150	1.350	0.045	0.053
E1	2.150	2.450	0.085	0.096
e	0.65 TYP		0.026 TYP	
e1	1.300 BSC		0.051 BSC	
L	0.525 REF		0.021 REF	
L1	0.260	0.460	0.010	0.018
θ	0°	8°	0°	8°

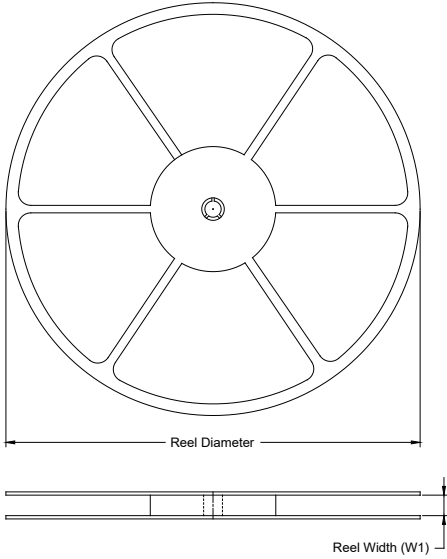
NOTES:

1. Body dimensions do not include mode flash or protrusion.
2. This drawing is subject to change without notice.

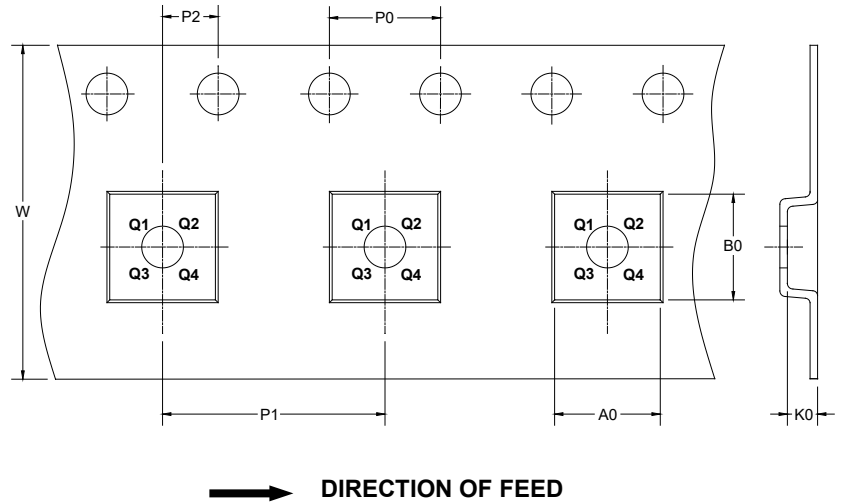
PACKAGE INFORMATION

TAPE AND REEL INFORMATION

REEL DIMENSIONS



TAPE DIMENSIONS



NOTE: The picture is only for reference. Please make the object as the standard.

KEY PARAMETER LIST OF TAPE AND REEL

Package Type	Reel Diameter	Reel Width W1 (mm)	A0 (mm)	B0 (mm)	K0 (mm)	P0 (mm)	P1 (mm)	P2 (mm)	W (mm)	Pin1 Quadrant
SC70-5	7"	9.5	2.25	2.55	1.20	4.0	4.0	2.0	8.0	Q3

DD0001

PACKAGE INFORMATION

CARTON BOX DIMENSIONS



NOTE: The picture is only for reference. Please make the object as the standard.

KEY PARAMETER LIST OF CARTON BOX

Reel Type	Length (mm)	Width (mm)	Height (mm)	Pizza/Carton
7" (Option)	368	227	224	8
7"	442	410	224	18

DD0002