



SGM8967-1/SGM8967-2/SGM8967-4

2.7mA, 27MHz, High Precision, Rail-to-Rail I/O, Low Noise, CMOS Operational Amplifiers

GENERAL DESCRIPTION

The SGM8967-1/2/4 are a family of single, dual and quad rail-to-rail input and output operational amplifiers with 27MHz gain-bandwidth product and 30V/ μ s slew rate, while consuming only 2.7mA quiescent current per amplifier at 5.5V.

The SGM8967-1/2/4 feature a 240 μ V maximum input offset, and the devices are optimized for low voltage operation from 2.1V to 5.5V.

The single SGM8967-1 is available in Green SOT-23-5 and SOIC-8 packages. The dual SGM8967-2 is available in Green SOIC-8 and MSOP-8 packages. The quad SGM8967-4 is available in Green SOIC-14 and TSSOP-14 packages. They are specified over the extended industrial temperature range (-40°C to +125°C).

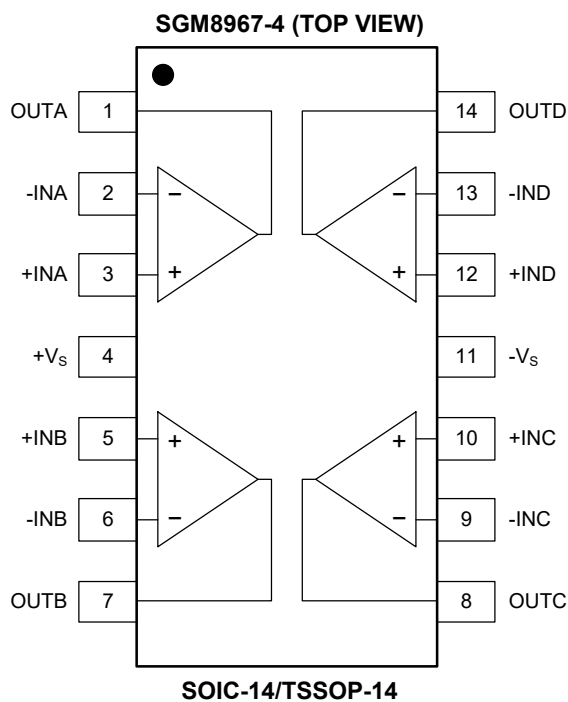
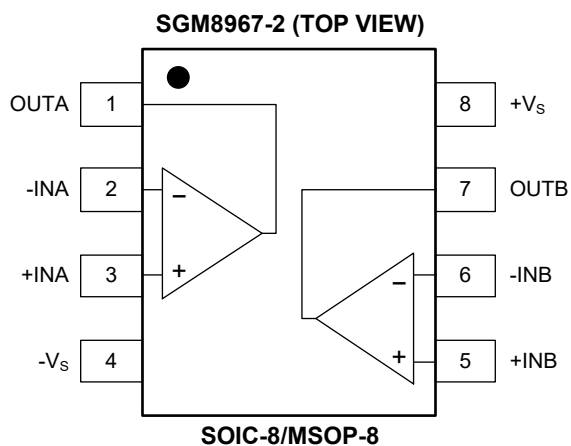
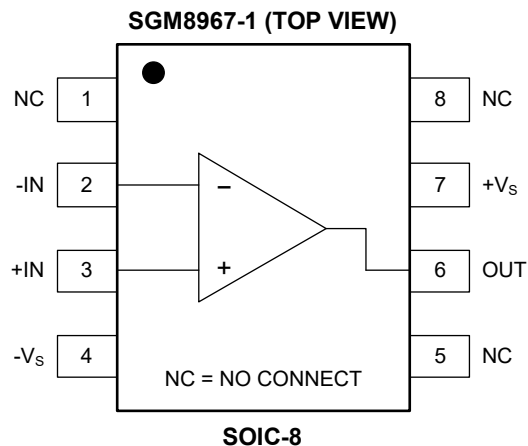
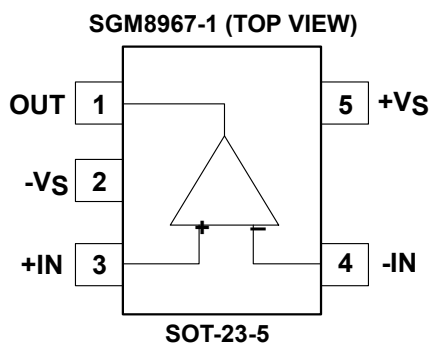
FEATURES

- Rail-to-Rail Input and Output
- Input Offset Voltage: 240 μ V (MAX)
- High Gain-Bandwidth Product: 27MHz
- High Slew Rate: 30V/ μ s
- Settling Time to 0.1% with 2V Step: 120ns
- Overload Recovery Time: 60ns
- Low Noise: 8nV/ $\sqrt{\text{Hz}}$ at 10kHz
- Supply Voltage Range: 2.1V to 5.5V
- Input Voltage Range: -0.1V to 5.6V with $V_S = 5.5V$
- Low Power:
 - Supply Current: 2.7mA/Amplifier (TYP)
- -40°C to +125°C Operating Temperature Range
- Small Packaging:
 - SGM8967-1 Available in Green SOT-23-5 and SOIC-8 Packages
 - SGM8967-2 Available in Green MSOP-8 and SOIC-8 Packages
 - SGM8967-4 Available in Green SOIC-14 and TSSOP-14 Packages

APPLICATIONS

Sensor
Audio
Active Filter
A/D Converter
Communication
Test Equipment
Cellular and Cordless Phone
Laptop and PDA
Photodiode Amplification
Battery-Powered Instrumentation

PIN CONFIGURATIONS



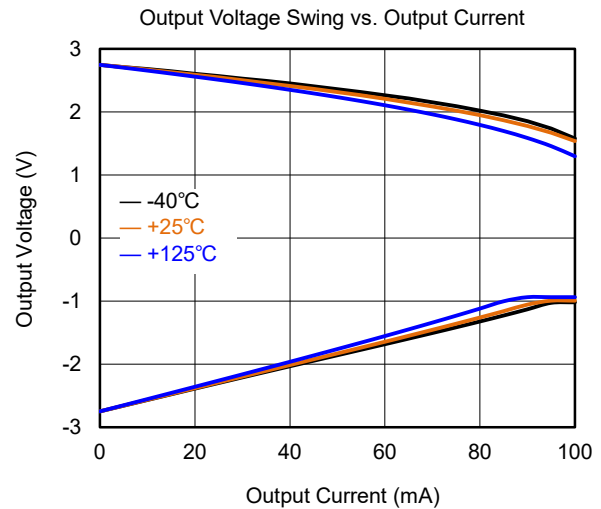
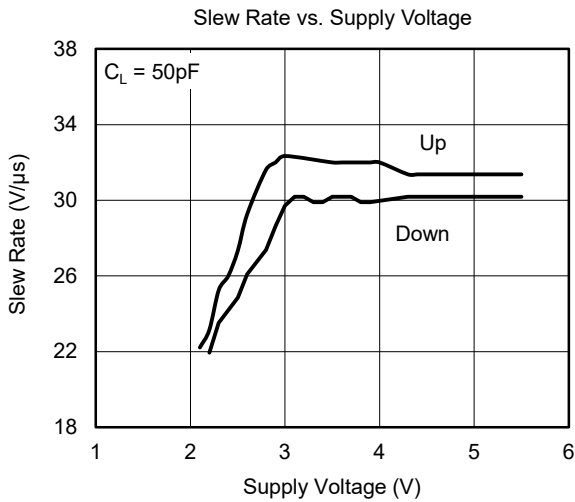
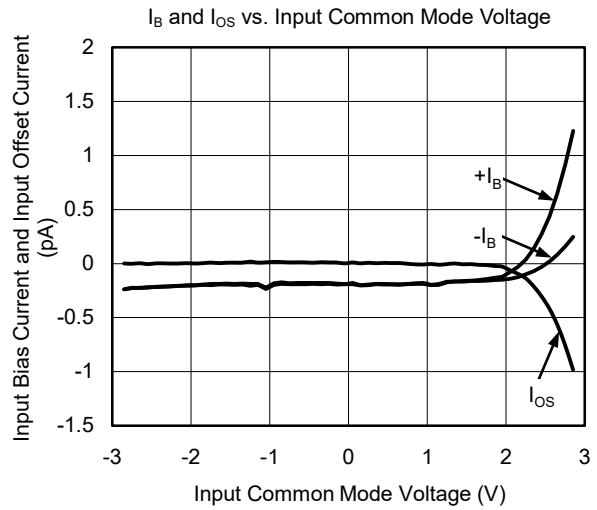
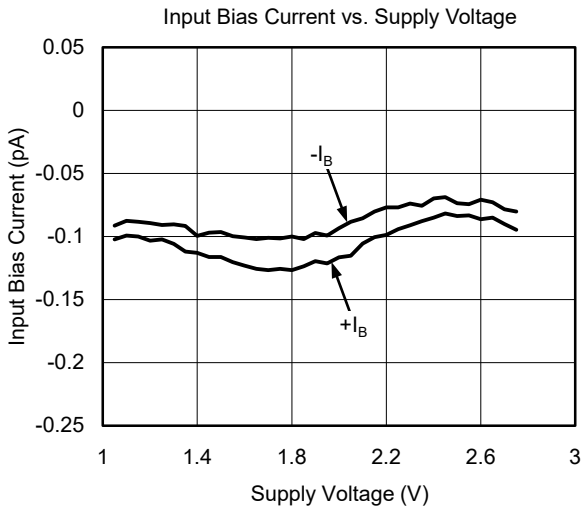
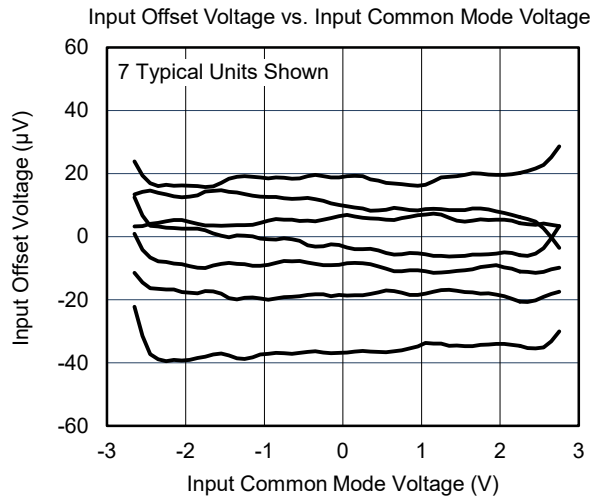
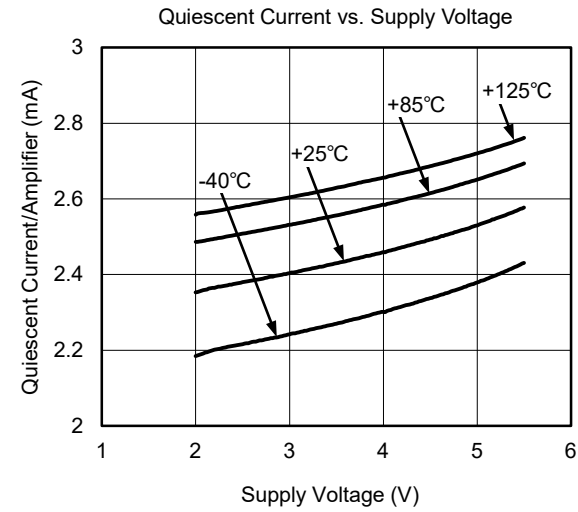
ELECTRICAL CHARACTERISTICS

(At $T_A = +25^\circ\text{C}$, $V_S = 2.1\text{V}$ to 5.5V or $\pm 1.05\text{V}$ to $\pm 2.75\text{V}$, $V_{CM} = V_S/2$ and $R_L = 600\Omega$ connected to $V_S/2$, Full = -40°C to $+125^\circ\text{C}$, unless otherwise noted.)

PARAMETER	SYMBOL	CONDITIONS	TEMP	MIN	TYP	MAX	UNITS
Input Characteristics							
Input Offset Voltage	V_{OS}		$+25^\circ\text{C}$		50	240	μV
			Full			850	
Input Bias Current	I_B		$+25^\circ\text{C}$		3	120	pA
			Full			8000	
Input Offset Current	I_{OS}		$+25^\circ\text{C}$		3	120	pA
			Full			1500	
Input Common Mode Voltage Range	V_{CM}		Full	$(-V_S) - 0.1$		$(+V_S) + 0.1$	V
Common Mode Rejection Ratio	CMRR	$V_S = 5.5\text{V}$, $V_{CM} = -0.1\text{V}$ to 5.6V	$+25^\circ\text{C}$	85	105		dB
			Full	82			
		$V_S = 2.1\text{V}$, $V_{CM} = -0.1\text{V}$ to 2.2V	$+25^\circ\text{C}$	77	95		
			Full	74			
Open-Loop Voltage Gain	A_{OL}	$V_S = \pm 1.05\text{V}$, $R_L = 600\Omega$, $(-V_S) + 0.25\text{V} < V_{OUT} < (+V_S) - 0.25\text{V}$	$+25^\circ\text{C}$	90	118		dB
			Full	87			
		$V_S = \pm 2.75\text{V}$, $R_L = 600\Omega$, $(-V_S) + 0.25\text{V} < V_{OUT} < (+V_S) - 0.25\text{V}$	$+25^\circ\text{C}$	100	128		
			Full	97			
		$V_S = \pm 1.05\text{V}$, $R_L = 10\text{k}\Omega$, $(-V_S) + 0.15\text{V} < V_{OUT} < (+V_S) - 0.15\text{V}$	$+25^\circ\text{C}$	93	120		
			Full	90			
		$V_S = \pm 2.75\text{V}$, $R_L = 10\text{k}\Omega$, $(-V_S) + 0.15\text{V} < V_{OUT} < (+V_S) - 0.15\text{V}$	$+25^\circ\text{C}$	100	124		
			Full	97			
Output Characteristics							
Output Voltage Swing from Rail	V_{OUT}	$V_S = 5.5\text{V}$, $R_L = 600\Omega$	$+25^\circ\text{C}$		100	120	mV
			Full			130	
		$V_S = 5.5\text{V}$, $R_L = 10\text{k}\Omega$	$+25^\circ\text{C}$		8	15	
			Full			17	
Output Current (I_{OUT})	I_{OUT}	$V_S = 5.5\text{V}$	$+25^\circ\text{C}$	48	80		mA
			Full	42			
Power Supply							
Operating Voltage Range	V_S		Full	2.1		5.5	V
Power Supply Rejection Ratio	PSRR	$V_S = 2.1\text{V}$ to 5.5V , $V_{CM} = (-V_S) + 0.5\text{V}$	$+25^\circ\text{C}$	89	110		dB
			Full	86			
Quiescent Current/Amplifier	I_Q	$I_{OUT} = 0$	$+25^\circ\text{C}$		2.7	3.5	mA
			Full			3.7	
Dynamic Performance							
Gain-Bandwidth Product	GBP	$V_S = 5.5\text{V}$, $R_L = 10\text{k}\Omega$	$+25^\circ\text{C}$		27		MHz
Phase Margin	ϕ_O	$V_S = 5.5\text{V}$, $R_L = 10\text{k}\Omega$	$+25^\circ\text{C}$		60		$^\circ$
Slew Rate	SR	$V_S = 5\text{V}$, $G = +1$, 2V output step	$+25^\circ\text{C}$		30		$\text{V}/\mu\text{s}$
Settling Time to 0.1%	t_s	$V_S = 5\text{V}$, $G = +1$, 2V output step	$+25^\circ\text{C}$		120		ns
Overload Recovery Time		$V_S = 5\text{V}$, $V_{IN} \times G = V_S$	$+25^\circ\text{C}$		60		ns
Total Harmonic Distortion + Noise	THD+N	$V_{OUT} = 4V_{P-P}$, $G = +1$, $f = 10\text{kHz}$, $R_L = 10\text{k}\Omega$, $\text{BW} = 22\text{Hz}$ to 80kHz	$+25^\circ\text{C}$		0.0003		%
			$+25^\circ\text{C}$		0.0006		
Noise Performance							
Input Voltage Noise Density	e_n	$f = 1\text{kHz}$	$+25^\circ\text{C}$		18		$\text{nV}/\sqrt{\text{Hz}}$
		$f = 10\text{kHz}$	$+25^\circ\text{C}$		8		

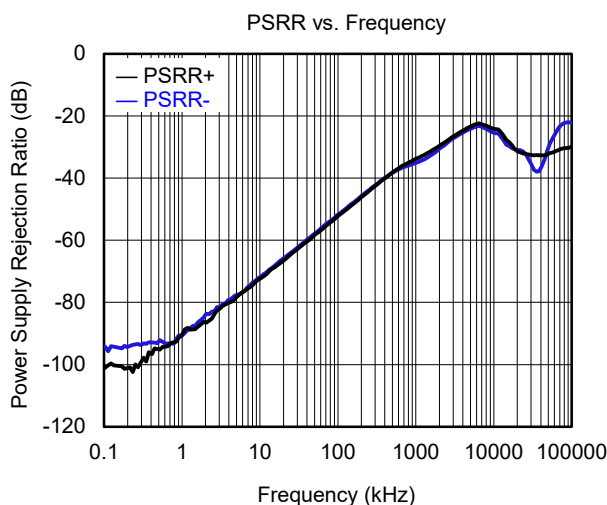
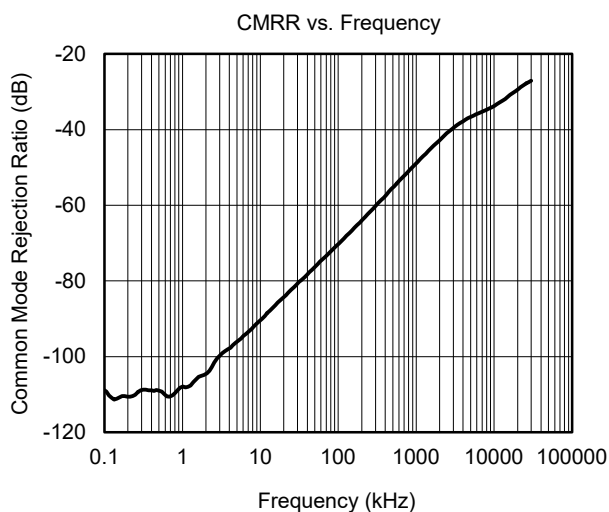
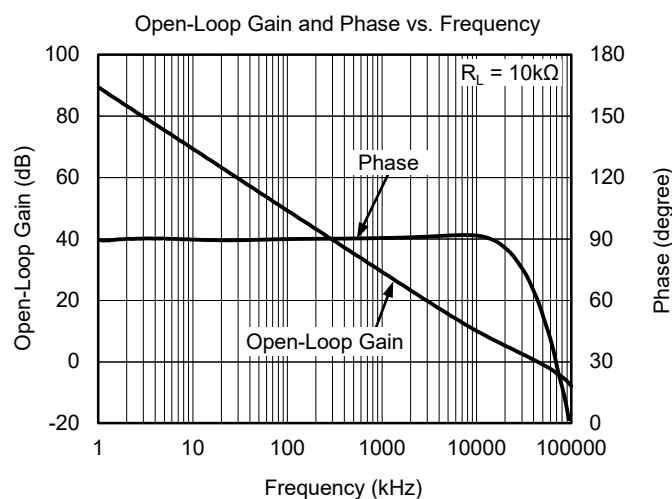
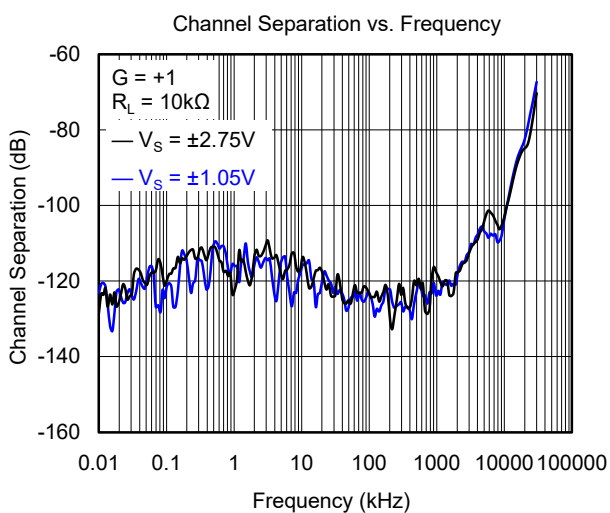
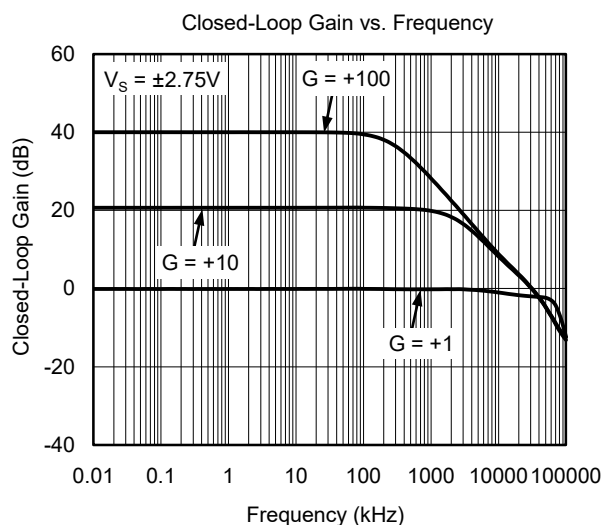
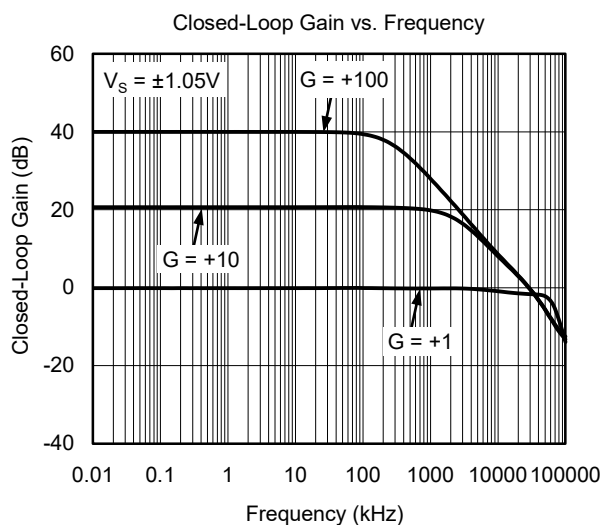
TYPICAL PERFORMANCE CHARACTERISTICS

At $T_A = +25^\circ\text{C}$, $V_S = \pm 2.75\text{V}$ and $R_L = 600\Omega$, unless otherwise noted.



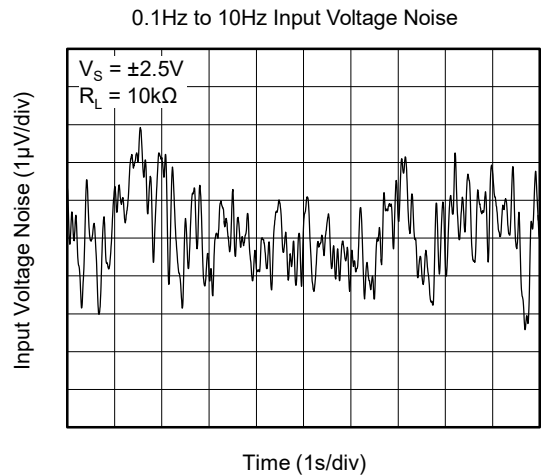
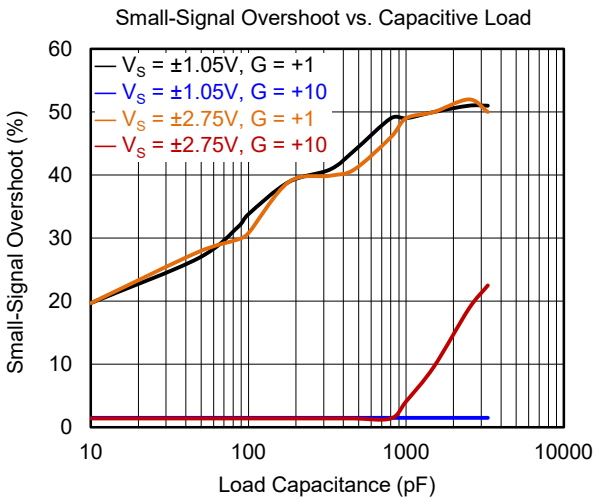
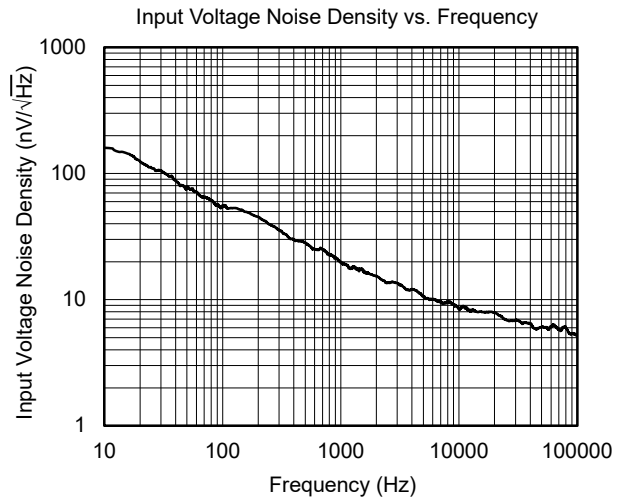
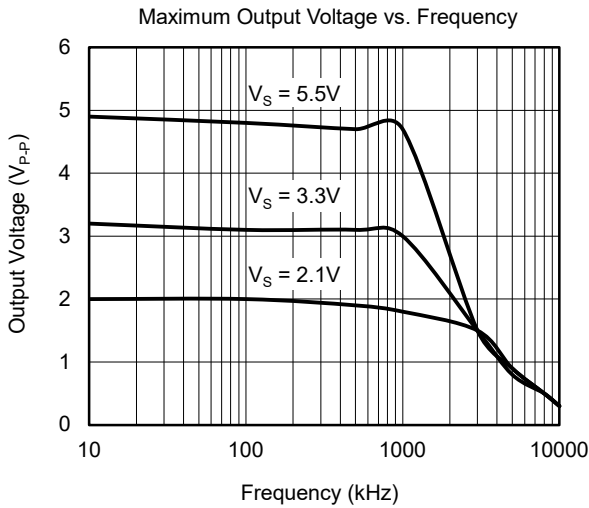
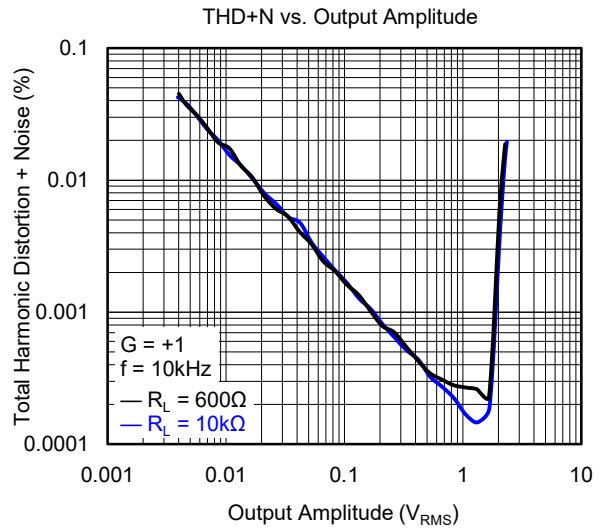
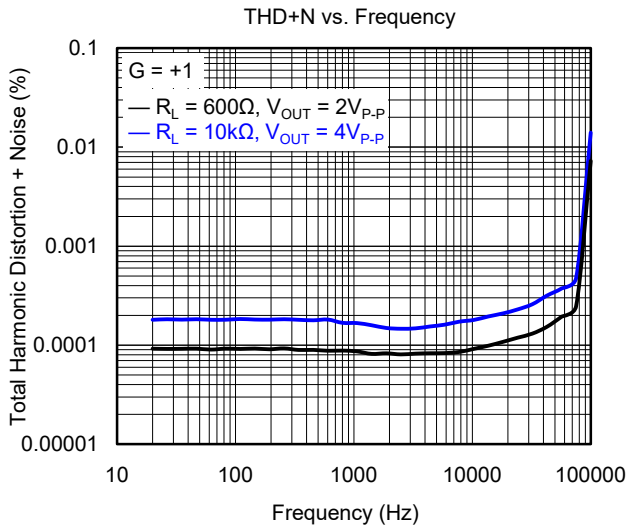
TYPICAL PERFORMANCE CHARACTERISTICS (continued)

At $T_A = +25^\circ\text{C}$, $V_S = \pm 2.75\text{V}$ and $R_L = 600\Omega$, unless otherwise noted.



TYPICAL PERFORMANCE CHARACTERISTICS (continued)

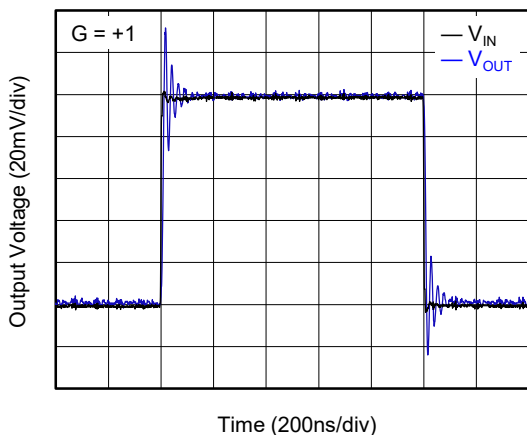
At $T_A = +25^\circ\text{C}$, $V_S = \pm 2.75\text{V}$ and $R_L = 600\Omega$, unless otherwise noted.



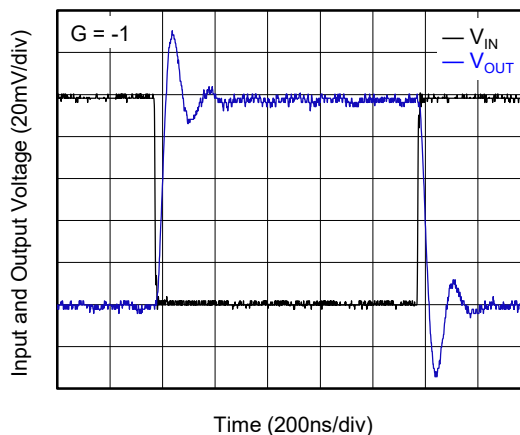
TYPICAL PERFORMANCE CHARACTERISTICS (continued)

At $T_A = +25^\circ\text{C}$, $V_S = \pm 2.75\text{V}$ and $R_L = 600\Omega$, unless otherwise noted.

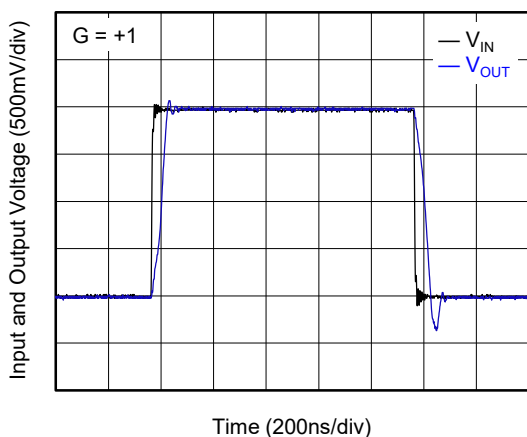
Small-Signal Step Response



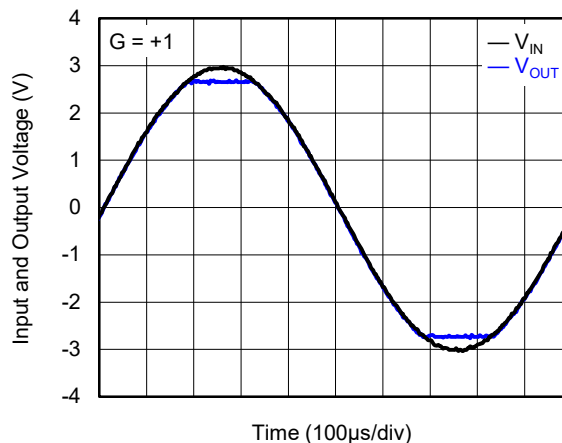
Small-Signal Step Response



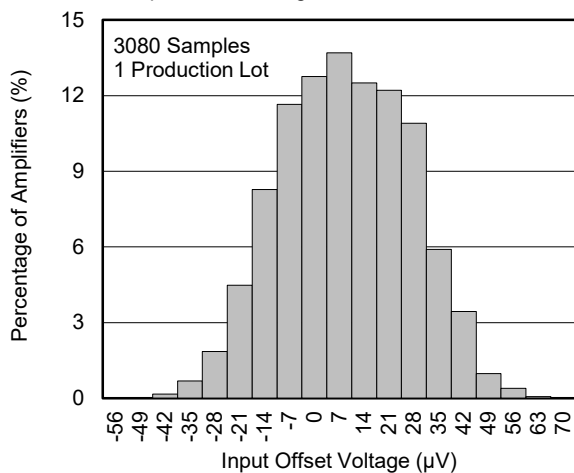
Large-Signal Step Response



No Phase Reversal



Input Offset Voltage Production Distribution



APPLICATION NOTES

Rail-to-Rail Input

The input common mode voltage range of the SGM8967-1/2/4 extends 100mV beyond the supply rails for the full supply voltage range of 2.1V to 5.5V. Diodes between the inputs and the supply rails keep the input voltage from exceeding the rails.

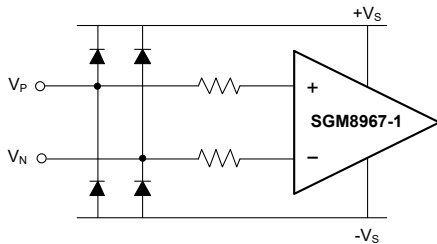


Figure 1. Equivalent Input Circuit

Input Protection

The SGM8967-1/2/4 family incorporates internal ESD protection circuits on all pins. For input and output pins, this protection primarily consists of current-steering diodes connected between the input and power supply pins. Therefore, as well as keeping the input voltage below the maximum rating, it is also important to limit the input current to less than 10mA. Figure 2 shows how a series input resistor can be added to the driven input to limit the input current. The added resistor contributes thermal noise at the amplifier input and the value must be kept to a minimum in noise-sensitive applications.

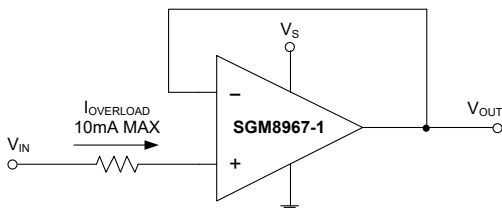


Figure 2. Input Current Protection

Rail-to-Rail Output

The minimum output voltage will be within millivolts of ground for single-supply operation where the load is referenced to ground (-Vs). With a 5.5V supply and the 10kΩ load tied to ground, the typical output swings from 0.008V to 5.492V.

Driving Capacitive Loads

The SGM8967-1/2/4 are unity-gain stable for capacitive load up to 470pF. Applications that require greater capacitive drive capability should use an isolation resistor between the output and the capacitive load (Figure 3). Note that this alternative results in a loss of gain accuracy because RISO forms a voltage divider with the RLOAD.

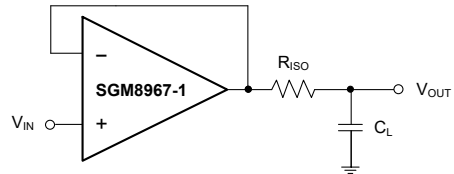


Figure 3. Using Isolation Resistor to Improve Stability when Driving Heavy Capacitive Load

Power Supply Bypassing and Layout

Power supply pins are actually inputs to the amplifiers. Care must be taken to provide the amplifiers with a clean, low noise DC voltage source.

Power supply bypassing is employed to provide a low impedance path to ground for noise and undesired signals at all frequencies. This cannot be achieved with a single capacitor type; but with a variety of capacitors in parallel, the bandwidth of power supply bypassing can be greatly extended. The bypass capacitors have two functions:

1. Provide a low impedance path for noise and undesired signals from the supply pins to ground.
2. Provide local stored charge for fast switching conditions and minimize the voltage drop at the supply pins during transients. This is typically achieved with large electrolytic capacitors.

APPLICATION NOTES (continued)

Good quality ceramic chip capacitors should be used and always kept as close as possible to the amplifier package. A parallel combination of a 0.1 μ F ceramic and a 10 μ F electrolytic covers a wide range of rejection for unwanted noise. The 10 μ F capacitor is less critical for high frequency bypassing, and in most cases, one per supply line is sufficient. The values of capacitors are circuit-dependent and should be determined by the system's requirements.

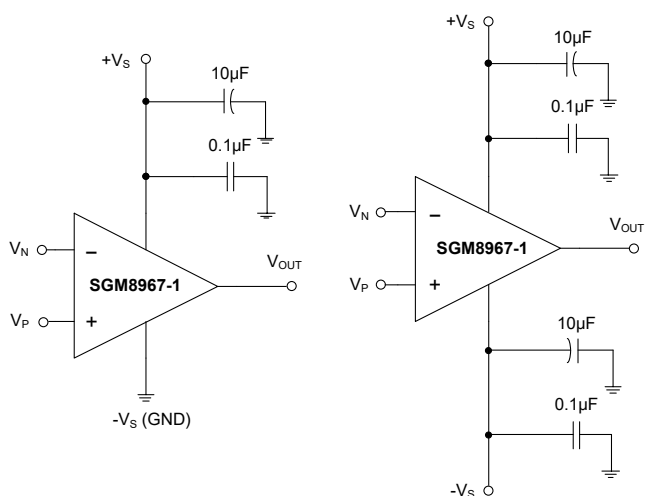


Figure 4. Amplifier with Bypass Capacitors

Grounding

Separate grounding for analog and digital portions of circuitry is one of the simplest and most effective methods of noise suppression. One or more layers on multilayer PCBs are usually devoted to ground planes.

A ground plane helps distribute heat and reduces EMI noise pickup. Make sure to physically separate digital and analog grounds, paying attention to the flow of the ground current.

Input-to-Output Coupling

To minimize capacitive coupling, run the input traces as far away from the supply or output traces as possible. If these traces cannot be kept separate, crossing the sensitive trace perpendicular is much better as opposed to in parallel with the noisy trace. This helps reduce unwanted positive feedback.

TYPICAL APPLICATION CIRCUITS

Difference Amplifier

The circuit shown in Figure 5 performs the difference function. If the resistor ratios are equal ($R_4/R_3 = R_2/R_1$), then $V_{OUT} = (V_P - V_N) \times R_2/R_1 + V_{REF}$.

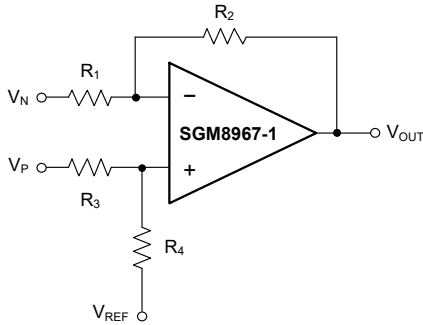


Figure 5. Difference Amplifier

High Input Impedance Difference Amplifier

The circuit in Figure 6 performs the same function as that in Figure 5 but with a high input impedance.

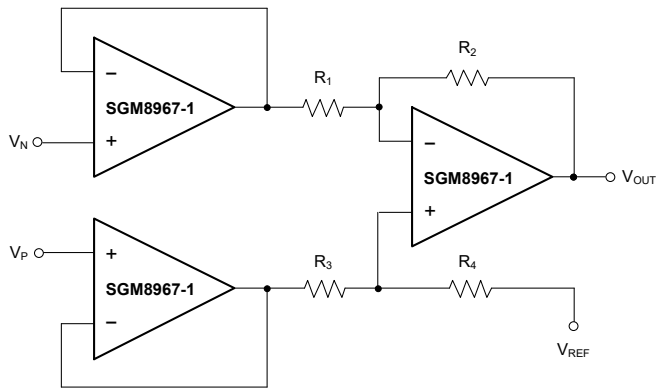


Figure 6. High Input Impedance Difference Amplifier

Active Low-Pass Filter

The low-pass filter shown in Figure 7 has a DC gain of $(-R_2/R_1)$ and the -3dB corner frequency is $1/2\pi R_2 C$. Make sure the filter bandwidth is within the bandwidth of the amplifier. Feedback resistors with large values can couple with parasitic capacitance and cause undesired effects such as ringing or oscillation in high-speed amplifiers. Keep resistor values as low as possible and consistent with output loading consideration.

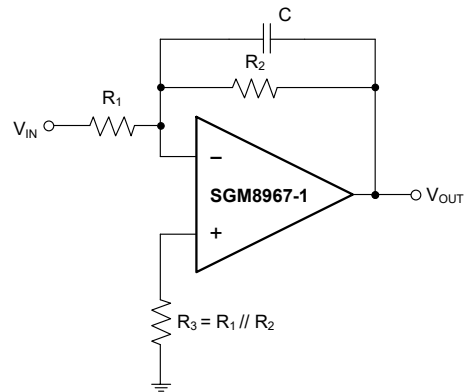


Figure 7. Active Low-Pass Filter

REVISION HISTORY

NOTE: Page numbers for previous revisions may differ from page numbers in the current version.

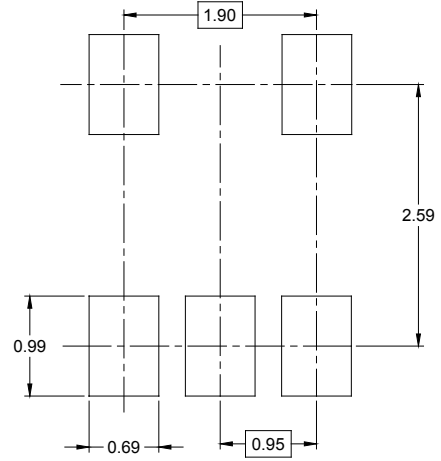
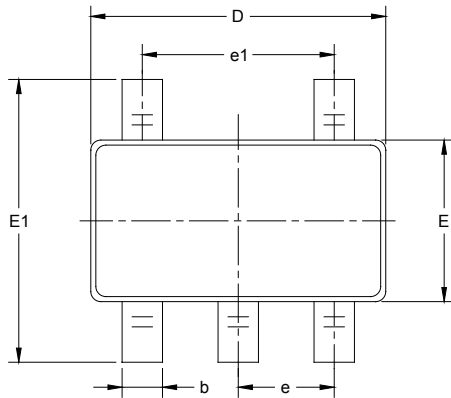
Changes from Original (DECEMBER 2019) to REV.A

	Page
Changed from product preview to production data.....	All

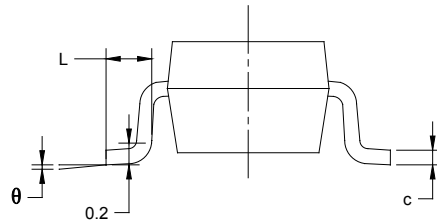
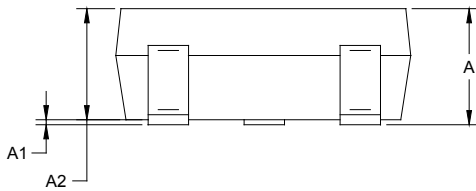
PACKAGE INFORMATION

PACKAGE OUTLINE DIMENSIONS

SOT-23-5



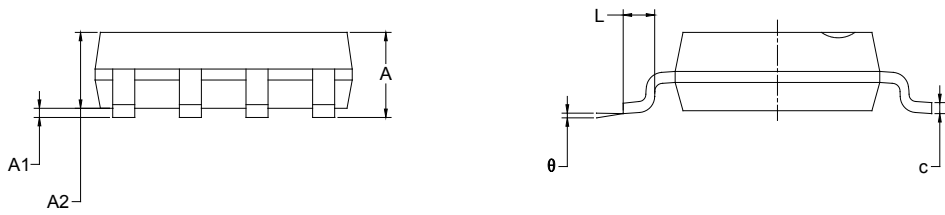
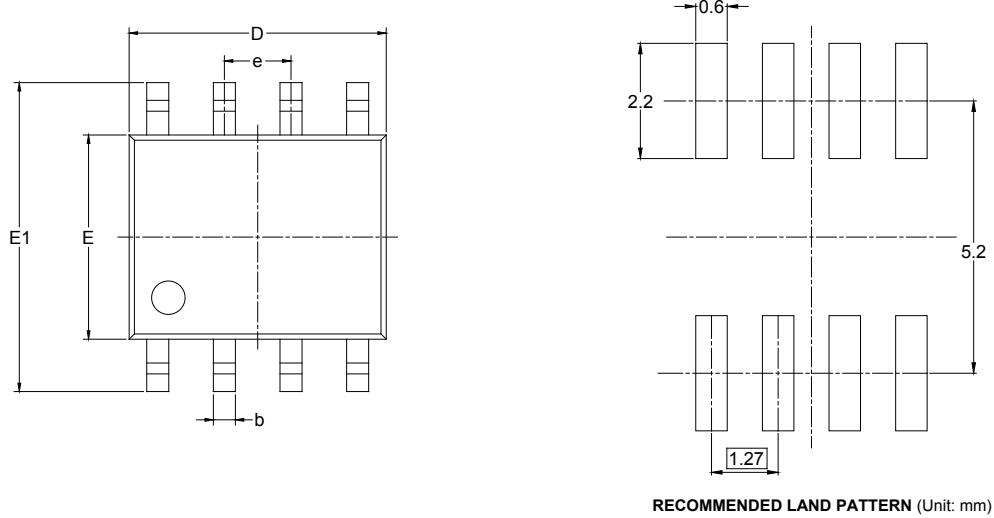
RECOMMENDED LAND PATTERN (Unit: mm)



Symbol	Dimensions In Millimeters		Dimensions In Inches	
	MIN	MAX	MIN	MAX
A	1.050	1.250	0.041	0.049
A1	0.000	0.100	0.000	0.004
A2	1.050	1.150	0.041	0.045
b	0.300	0.500	0.012	0.020
c	0.100	0.200	0.004	0.008
D	2.820	3.020	0.111	0.119
E	1.500	1.700	0.059	0.067
E1	2.650	2.950	0.104	0.116
e	0.950 BSC		0.037 BSC	
e1	1.900 BSC		0.075 BSC	
L	0.300	0.600	0.012	0.024
θ	0°	8°	0°	8°

PACKAGE OUTLINE DIMENSIONS

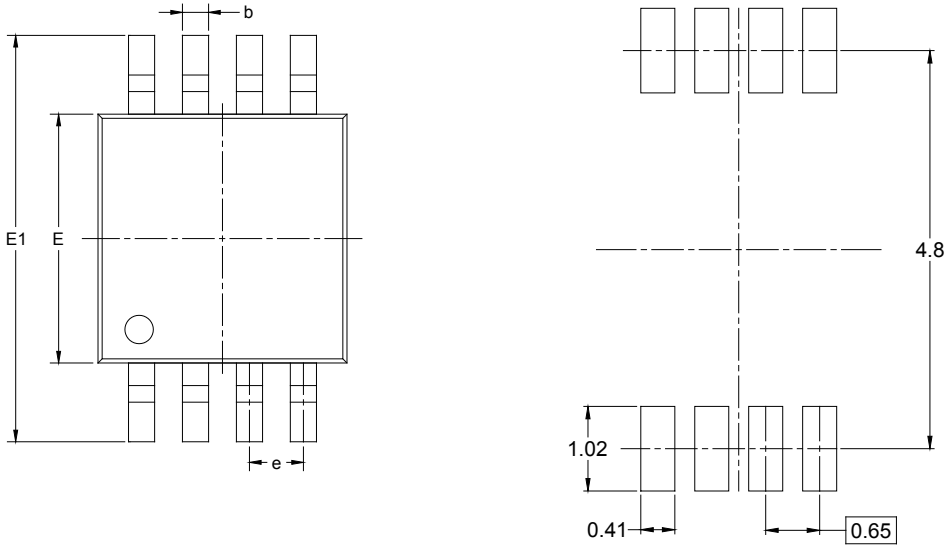
SOIC-8



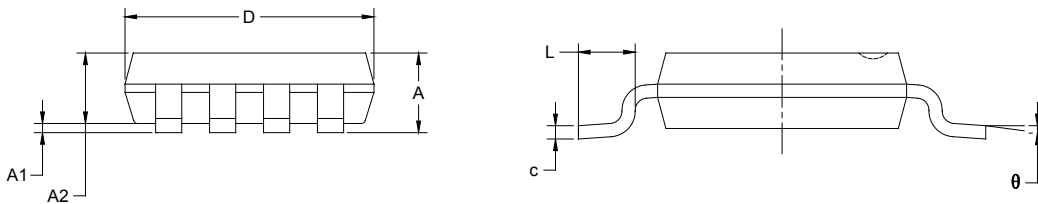
Symbol	Dimensions In Millimeters		Dimensions In Inches	
	MIN	MAX	MIN	MAX
A	1.350	1.750	0.053	0.069
A1	0.100	0.250	0.004	0.010
A2	1.350	1.550	0.053	0.061
b	0.330	0.510	0.013	0.020
c	0.170	0.250	0.006	0.010
D	4.700	5.100	0.185	0.200
E	3.800	4.000	0.150	0.157
E1	5.800	6.200	0.228	0.244
e	1.27 BSC		0.050 BSC	
L	0.400	1.270	0.016	0.050
θ	0°	8°	0°	8°

PACKAGE OUTLINE DIMENSIONS

MSOP-8



RECOMMENDED LAND PATTERN (Unit: mm)

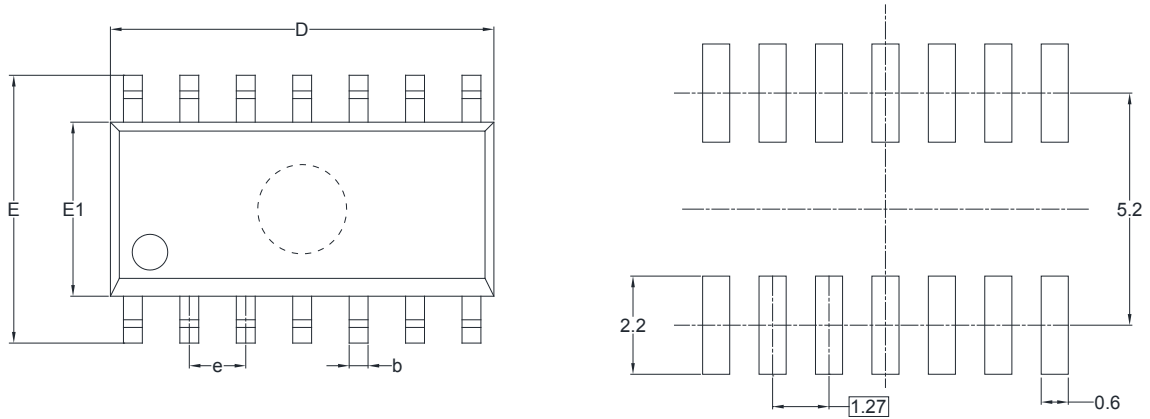


Symbol	Dimensions In Millimeters		Dimensions In Inches	
	MIN	MAX	MIN	MAX
A	0.820	1.100	0.032	0.043
A1	0.020	0.150	0.001	0.006
A2	0.750	0.950	0.030	0.037
b	0.250	0.380	0.010	0.015
c	0.090	0.230	0.004	0.009
D	2.900	3.100	0.114	0.122
E	2.900	3.100	0.114	0.122
E1	4.750	5.050	0.187	0.199
e	0.650 BSC		0.026 BSC	
L	0.400	0.800	0.016	0.031
θ	0°	6°	0°	6°

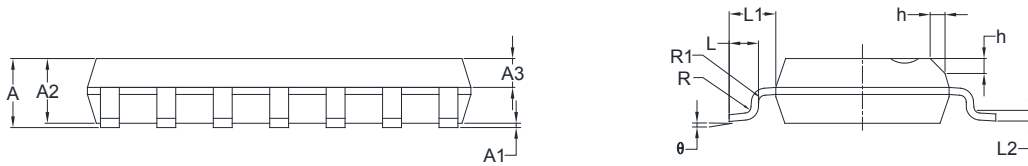
PACKAGE INFORMATION

PACKAGE OUTLINE DIMENSIONS

SOIC-14



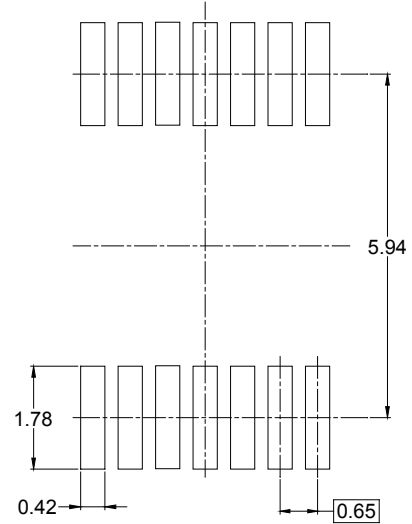
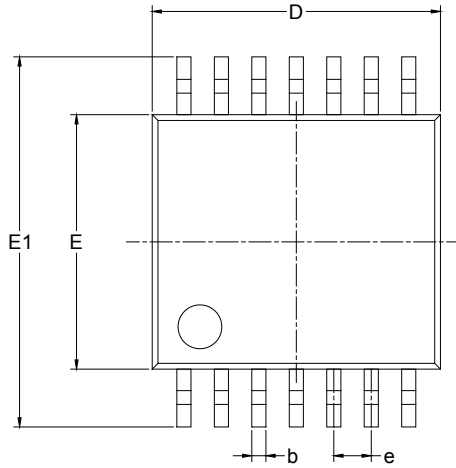
RECOMMENDED LAND PATTERN (Unit: mm)



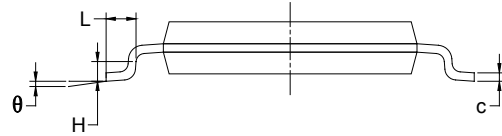
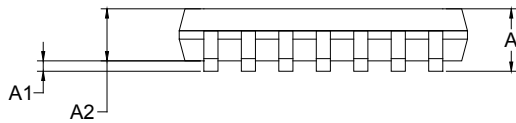
Symbol	Dimensions In Millimeters		Dimensions In Inches	
	MIN	MAX	MIN	MAX
A	1.35	1.75	0.053	0.069
A1	0.10	0.25	0.004	0.010
A2	1.25	1.65	0.049	0.065
A3	0.55	0.75	0.022	0.030
b	0.36	0.49	0.014	0.019
D	8.53	8.73	0.336	0.344
E	5.80	6.20	0.228	0.244
E1	3.80	4.00	0.150	0.157
e	1.27 BSC		0.050 BSC	
L	0.45	0.80	0.018	0.032
L1	1.04 REF		0.040 REF	
L2	0.25 BSC		0.01 BSC	
R	0.07		0.003	
R1	0.07		0.003	
h	0.30	0.50	0.012	0.020
θ	0°	8°	0°	8°

PACKAGE OUTLINE DIMENSIONS

TSSOP-14



RECOMMENDED LAND PATTERN (Unit: mm)

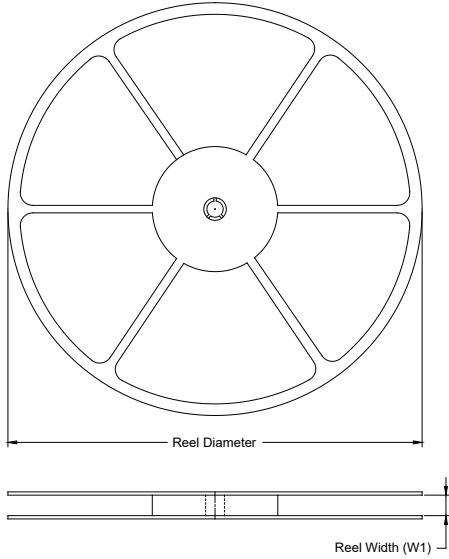


Symbol	Dimensions In Millimeters		Dimensions In Inches	
	MIN	MAX	MIN	MAX
A		1.200		0.047
A1	0.050	0.150	0.002	0.006
A2	0.800	1.050	0.031	0.041
b	0.190	0.300	0.007	0.012
c	0.090	0.200	0.004	0.008
D	4.860	5.100	0.191	0.201
E	4.300	4.500	0.169	0.177
E1	6.250	6.550	0.246	0.258
e	0.650 BSC		0.026 BSC	
L	0.500	0.700	0.02	0.028
H	0.25 TYP		0.01 TYP	
θ	1°	7°	1°	7°

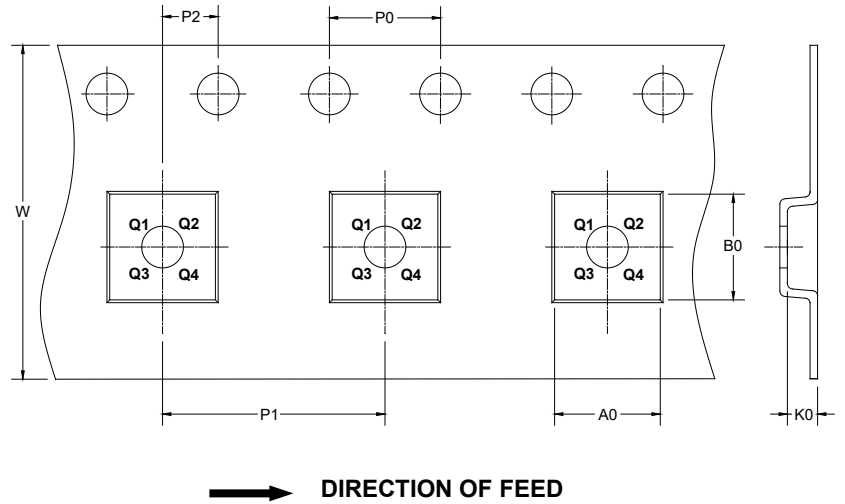
PACKAGE INFORMATION

TAPE AND REEL INFORMATION

REEL DIMENSIONS



TAPE DIMENSIONS



NOTE: The picture is only for reference. Please make the object as the standard.

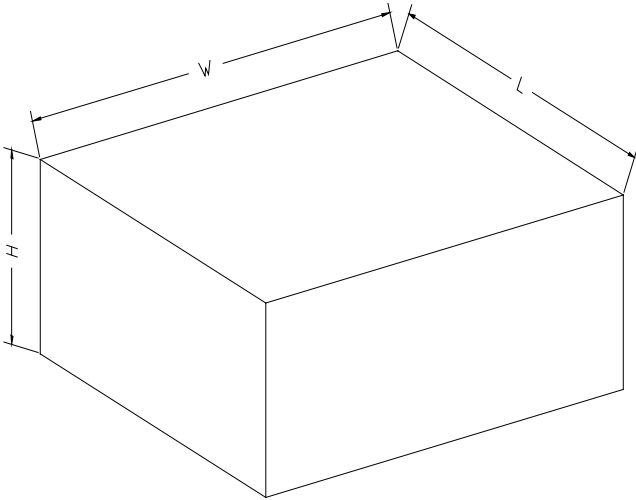
KEY PARAMETER LIST OF TAPE AND REEL

Package Type	Reel Diameter	Reel Width W1 (mm)	A0 (mm)	B0 (mm)	K0 (mm)	P0 (mm)	P1 (mm)	P2 (mm)	W (mm)	Pin1 Quadrant
SOT-23-5	7"	9.5	3.20	3.20	1.40	4.0	4.0	2.0	8.0	Q3
SOIC-8	13"	12.4	6.40	5.40	2.10	4.0	8.0	2.0	12.0	Q1
MSOP-8	13"	12.4	5.20	3.30	1.50	4.0	8.0	2.0	12.0	Q1
SOIC-14	13"	16.4	6.60	9.30	2.10	4.0	8.0	2.0	16.0	Q1
TSSOP-14	13"	12.4	6.95	5.60	1.20	4.0	8.0	2.0	12.0	Q1

D20001

PACKAGE INFORMATION

CARTON BOX DIMENSIONS



NOTE: The picture is only for reference. Please make the object as the standard.

KEY PARAMETER LIST OF CARTON BOX

Reel Type	Length (mm)	Width (mm)	Height (mm)	Pizza/Carton
7" (Option)	368	227	224	8
7"	442	410	224	18
13"	386	280	370	5

DD0002