



深圳市创芯弘科技有限公司

SGM4568

**8-Bit Bidirectional Voltage-Level
Translator with Auto Direction Sensing**

GENERAL DESCRIPTION

This 8-bit non-inverting voltage-level translator uses two separate configurable power-supply rails. The A ports are designed to track V_{CCA} . V_{CCA} accepts any supply voltage from 1.2V to 5.5V. The B ports are designed to track V_{CCB} . V_{CCB} accepts any supply voltage from 1.65V to 5.5V. This allows for universal low-voltage bidirectional translation between any of the 1.2V, 1.5V, 1.8V, 2.5V, 3.3V, and 5V voltage nodes. V_{CCA} should not exceed V_{CCB} .

When the output-enable (OE) input is low, all outputs are placed in the high-impedance state. To ensure the high-impedance state during power up or power down, OE should be tied to GND through a pull-down resistor; the minimum value of the resistor is determined by the current-sourcing capability of the driver.

The SGM4568 is designed so that the OE input circuit is supplied by V_{CCA} .

This device is fully specified for partial-power-down applications using I_{OFF} . The I_{OFF} circuitry disables the outputs, preventing damaging current backflow through the device when it is powered down.

The SGM4568 is available in Green TSSOP-20 and TQFN-3×3-20L packages. It operated over an ambient temperature range of -40°C to +85°C.

FEATURES

- 1.2V to 5.5V on A Ports and 1.65V to 5.5V on B Ports ($V_{CCA} \leq V_{CCB}$)
- V_{CC} Isolation: If Either V_{CC} is at GND, All Outputs are in the High-Impedance State
- OE Input Circuit Referenced to V_{CCA}
- Low Power Consumption
- Push-Pull Output
- I_{OFF} : Supports Partial-Power-Down Mode Operation
- -40°C to +85°C Operating Temperature Range
- Available in Green TSSOP-20 and TQFN-3×3-20L Packages

APPLICATIONS

Smart-Phone
Portable Equipments
UART
GPIO

PACKAGE/ORDERING INFORMATION

MODEL	PACKAGE DESCRIPTION	SPECIFIED TEMPERATURE RANGE	ORDERING NUMBER	PACKAGE MARKING	PACKING OPTION
SGM4568	TSSOP-20	-40°C to +85°C	SGM4568YTS20G/TR	SGM4568YTS20 XXXXX	Tape and Reel, 4000
	TQFN-3×3-20L	-40°C to +85°C	SGM4568YTQG20G/TR	SGM 4568QG XXXXX	Tape and Reel, 4000

NOTE: XXXXX = Date Code and Vendor Code.

Green (RoHS & HSF): SG Micro Corp defines "Green" to mean Pb-Free (RoHS compatible) and free of halogen substances. If you have additional comments or questions, please contact your SGMICRO representative directly.

ABSOLUTE MAXIMUM RATINGS

V_{CCA} , Supply Voltage Range	-0.3V to 6V
V_{CCB} , Supply Voltage Range	-0.3V to 6V
V_I , Input Voltage Range	
A Ports	-0.3V to 6V
B Ports	-0.3V to 6V
V_O , Voltage Range Applied to Any Output in the High-Impedance or Power-Off State	
A Ports	-0.3V to 6V
B Ports	-0.3V to 6V
V_O , Voltage Range Applied to Any Output in the High or Low State ⁽¹⁾	
A Ports	-0.3V to $V_{CCA} + 0.3V$
B Ports	-0.3V to $V_{CCB} + 0.3V$
I_{IK} , Input Clamp Current ($V_I < 0$)	-50mA
I_{OK} , Output Clamp Current ($V_O < 0$)	-25mA
Continuous Current through V_{CCA} , V_{CCB} , or GND	±100mA
Junction Temperature	150°C
Storage Temperature Range	-65°C to +150°C
Lead Temperature (Soldering, 10sec)	260°C
ESD Susceptibility	
HBM	4000V
MM	300V

NOTE: 1. The value of V_{CCA} and V_{CCB} are provided in the recommended operating conditions table.

OVERSTRESS CAUTION

Stresses beyond those listed may cause permanent damage to the device. Functional operation of the device at these or any other conditions beyond those indicated in the operational section of the specification is not implied. Exposure to absolute maximum rating conditions for extended periods may affect reliability.

DISCLAIMER

SG Micro Corp reserves the right to make any change in circuit design, specification or other related things if necessary without notice at any time.

RECOMMENDED OPERATING CONDITIONS
(2, 3)

Supply Voltage Range	
V_{CCA}	1.2V to 5.5V
V_{CCB}	1.65V to 5.5V
High-Level Input Voltage, V_{IH}	
Data Inputs	$V_{CCI} \times 0.85$ ⁽⁴⁾ to V_{CCI}
OE Input	$V_{CCA} \times 0.85$ to 5.5V
Low-Level Input Voltage, V_{IL}	
Data Inputs	0V to $V_{CCI} \times 0.2$ ⁽⁴⁾
OE Input	0V to $V_{CCA} \times 0.2$
Voltage Range Applied to Any Output in the High-Impedance or Power-Off State, V_O	
A Ports	0V to 5.5V
B Ports	0V to 5.5V
Input Transition Rise or Fall Rate, $\Delta t/\Delta V$	
A Port Inputs	40ns/V (MAX)
B Port Inputs	40ns/V (MAX)
Operating Temperature Range	-40°C to +85°C

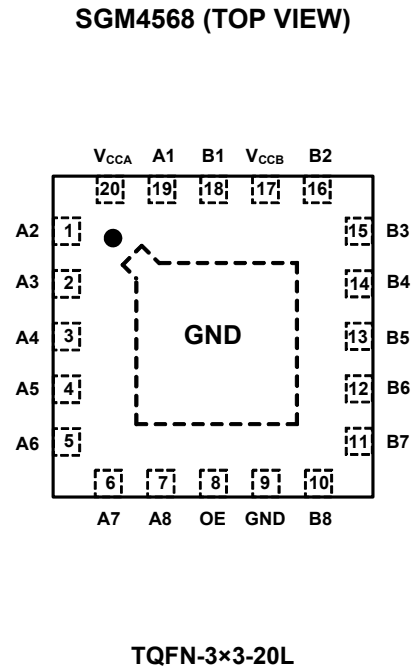
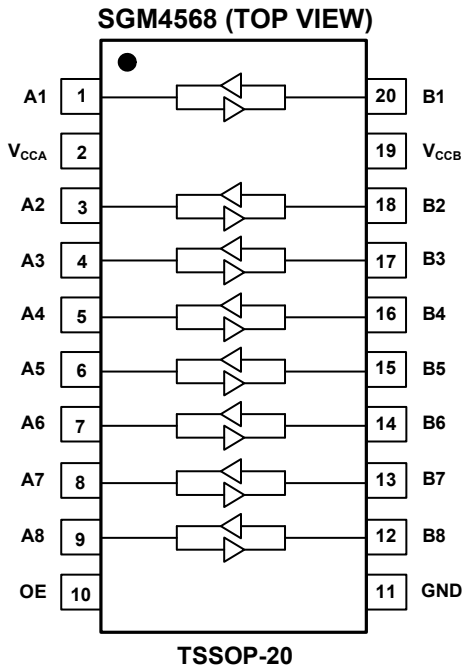
NOTES:

- The A and B sides of an unused data I/O pair must be held in the same state, i.e., both at V_{CCI} or both at GND.
- V_{CCA} must be less than or equal to V_{CCB} and must not exceed 5.5V.
- V_{CCI} is the supply voltage associated with the input ports.

ESD SENSITIVITY CAUTION

This integrated circuit can be damaged by ESD if you don't pay attention to ESD protection. SGMICRO recommends that all integrated circuits be handled with appropriate precautions. Failure to observe proper handling and installation procedures can cause damage. ESD damage can range from subtle performance degradation to complete device failure. Precision integrated circuits may be more susceptible to damage because very small parametric changes could cause the device not to meet its published specifications.

PIN CONFIGURATIONS



PIN DESCRIPTION

PIN		NAME	FUNCTION
TSSOP-20	TQFN-3x3-20L		
1	19	A1	Input/Output 1. Referenced to V_{CCA} .
2	20	V_{CCA}	A Ports Supply Voltage. $1.2V \leq V_{CCA} \leq 5.5V$ and $V_{CCA} \leq V_{CCB}$.
3	1	A2	Input/Output 2. Referenced to V_{CCA} .
4	2	A3	Input/Output 3. Referenced to V_{CCA} .
5	3	A4	Input/Output 4. Referenced to V_{CCA} .
6	4	A5	Input/Output 5. Referenced to V_{CCA} .
7	5	A6	Input/Output 6. Referenced to V_{CCA} .
8	6	A7	Input/Output 7. Referenced to V_{CCA} .
9	7	A8	Input/Output 8. Referenced to V_{CCA} .
10	8	OE	Output Enable. Pull OE low to place all outputs in 3-state mode. Referenced to V_{CCA} .
11	9	GND	Ground.
12	10	B8	Input/Output 8. Referenced to V_{CCB} .
13	11	B7	Input/Output 7. Referenced to V_{CCB} .
14	12	B6	Input/Output 6. Referenced to V_{CCB} .
15	13	B5	Input/Output 5. Referenced to V_{CCB} .
16	14	B4	Input/Output 4. Referenced to V_{CCB} .
17	15	B3	Input/Output 3. Referenced to V_{CCB} .
18	16	B2	Input/Output 2. Referenced to V_{CCB} .
19	17	V_{CCB}	B Ports Supply Voltage. $1.65V \leq V_{CCB} \leq 5.5V$.
20	18	B1	Input/Output 1. Referenced to V_{CCB} .
—	Exposed Pad	GND	Exposed pad should be soldered to PCB board and connected to GND or left floating.

ELECTRICAL CHARACTERISTICS ⁽¹⁾

(Full = -40°C to +85°C, typical values are at T_A = +25°C, unless otherwise noted.)

PARAMETER		CONDITIONS		TEMP	MIN	TYP	MAX	UNITS
A Ports High Level Output Voltage (V _{OHA})	I _{OH} = -20μA	V _{CCA} = 1.2V	+25°C		1.05			V
		V _{CCA} = 1.4V to 5.5V	Full	V _{CCA} - 0.3				
A Ports Low Level Output Voltage (V _{OLA})	I _{OL} = 20μA	V _{CCA} = 1.2V	+25°C		0.1			
		V _{CCA} = 1.4V to 5.5V	Full			0.3		
B Ports High Level Output Voltage (V _{OHB})	I _{OH} = -20μA	V _{CCB} = 1.65V to 5.5V	Full	V _{CCB} - 0.3				
B Ports Low Level Output Voltage (V _{OLB})	I _{OL} = 20μA	V _{CCB} = 1.65V to 5.5V	Full			0.3		
Input Leakage Current (I _I)	OE	OE = V _{CCA} or GND, V _{CCA} = 1.2V to 5.5V, V _{CCB} = 1.65V to 5.5V	+25°C			±1		μA
			Full			±1.5		
Power Off Leakage Current (I _{OFF})	A Ports	V _I or V _O = 0V to 5.5V, V _{CCA} = 0V, V _{CCB} = 0V to 5.5V	+25°C			±0.5		
	B Ports		Full			±1		
3-State Output Leakage (I _{OZ})	A or B Ports	OE = GND, V _{CCA} = 1.2V to 5.5V, V _{CCB} = 1.65V to 5.5V	+25°C			±0.5		
			Full			±1		
Quiescent Supply Current (I _{CCA})	V _I = V _{CCI} or GND, I _O = 0, OE = V _{CCA}	V _{CCA} = 1.2V, V _{CCB} = 1.65V to 5.5V	+25°C		0.1			μA
		V _{CCA} = 1.4V to 5.5V, V _{CCB} = 1.65V to 5.5V	Full			12		
		V _{CCA} = 5.5V, V _{CCB} = 0V				12		
		V _{CCA} = 0V, V _{CCB} = 5.5V				-1		
Quiescent Supply Current (I _{CCB})	V _I = V _{CCI} or GND, I _O = 0, OE = V _{CCA}	V _{CCA} = 1.2V, V _{CCB} = 1.65V to 5.5V	+25°C		1			μA
		V _{CCA} = 1.4V to 5.5V, V _{CCB} = 1.65V to 5.5V	Full			10		
		V _{CCA} = 5.5V, V _{CCB} = 0V				-1		
		V _{CCA} = 0V, V _{CCB} = 5.5V				9		
Quiescent Supply Current (I _{CCA} + I _{CCB})	V _I = V _{CCI} or GND, I _O = 0, OE = V _{CCA}	V _{CCA} = 1.2V, V _{CCB} = 1.65V to 5.5V	+25°C		1			μA
		V _{CCA} = 1.4V to 5.5V, V _{CCB} = 1.65V to 5.5V	Full			19		
Quiescent Supply Current (I _{CCZA})	V _I = V _{CCI} or GND, I _O = 0, OE = GND	V _{CCA} = 1.2V, V _{CCB} = 1.65V to 5.5V	+25°C		0.1			μA
		V _{CCA} = 1.4V to 5.5V, V _{CCB} = 1.65V to 5.5V	Full			12		
Quiescent Supply Current (I _{CCZB})	V _I = V _{CCI} or GND, I _O = 0, OE = GND	V _{CCA} = 1.2V, V _{CCB} = 1.65V to 5.5V	+25°C		0.1			μA
		V _{CCA} = 1.4V to 5.5V, V _{CCB} = 1.65V to 5.5V	Full			9		
OE Input Capacitance (C _I)		V _{CCA} = 1.2V to 5.5V, V _{CCB} = 1.65V to 5.5V	+25°C		5.2			pF
Input/Output Capacitance (C _{IO})	A Ports	V _{CCA} = 1.2V to 5.5V, V _{CCB} = 1.65V to 5.5V	+25°C		4.4			pF
	B Ports		+25°C		4.4			

NOTE:

1. V_{CCI} is the supply voltage associated with the input ports.

TIMING REQUIREMENTS

		V _{CCB} = 1.8V	V _{CCB} = 2.5V	V _{CCB} = 3.3V	V _{CCB} = 5V	UNITS
		TYP	TYP	TYP	TYP	
(T_A = +25°C, V_{CCA} = 1.2V, unless otherwise noted.)						
Data Rate		20	20	20	20	Mbps
Pulse Duration (t _w)	Data Inputs	50	50	50	50	ns
(T_A = +25°C, V_{CCA} = 1.5V, unless otherwise noted.)						
Data Rate		50	50	50	50	Mbps
Pulse Duration (t _w)	Data Inputs	20	20	20	20	ns
(T_A = +25°C, V_{CCA} = 1.8V, unless otherwise noted.)						
Data Rate		52	60	60	60	Mbps
Pulse Duration (t _w)	Data Inputs	19	17	17	17	ns
(T_A = +25°C, V_{CCA} = 2.5V, unless otherwise noted.)						
Data Rate			70	100	100	Mbps
Pulse Duration (t _w)	Data Inputs		14	10	10	ns
(T_A = +25°C, V_{CCA} = 3.3V, unless otherwise noted.)						
Data Rate				100	100	Mbps
Pulse Duration (t _w)	Data Inputs			10	10	ns
(T_A = +25°C, V_{CCA} = 5V, unless otherwise noted.)						
Data Rate					100	Mbps
Pulse Duration (t _w)	Data Inputs				10	ns

SWITCHING CHARACTERISTICS

(T_A = +25°C, V_{CCA} = 1.2V, unless otherwise noted.)

PARAMETER		FROM (INPUT)	TO (OUTPUT)	V _{CCB} = 1.8V	V _{CCB} = 2.5V	V _{CCB} = 3.3V	V _{CCB} = 5V	UNITS	
				TYP	TYP	TYP	TYP		
t _{PD}	t _{PLH}	A	B	22.9	19.8	19.0	18.9	ns	
	t _{PHL}			30.5	29.0	30.0	31.3		
	t _{PLH}	B	A	32.0	33.2	30.1	28.9		
	t _{PHL}			22.1	19.5	18.1	14.7		
t _{EN}	t _{PZH}	OE	A	74.1	71.5	69.0	62.9	ns	
	t _{PZL}			60.0	54.2	52.6	50.0		
	t _{PZH}		B	B	45.3	41.4	40.8		42.2
	t _{PZL}				69.5	66.8	67.3		68.0
t _{DIS}	t _{PHZ}	OE	A	1060	1070	1040	1030	ns	
	t _{PLZ}			500	500	510	520		
	t _{PHZ}		B	B	1090	1120	1100		1130
	t _{PLZ}				570	590	580		570
t _{rA}	A Ports Rise Time			21.5	22.2	21.2	20.2	ns	
t _{fA}	A Ports Fall Time			9.6	10.1	9.5	8.7	ns	
t _{rB}	B Ports Rise Time			3.9	2.3	2.0	1.7	ns	
t _{fB}	B Ports Fall Time			2.3	1.9	1.7	1.5	ns	
t _{SK(O)}	Channel-to-Channel Skew			1	1	1	1	ns	
Data Rate					20	20	20	20	Mbps

SWITCHING CHARACTERISTICS

($T_A = +25^\circ\text{C}$, $V_{CCA} = 1.5\text{V}$, unless otherwise noted.)

PARAMETER	FROM (INPUT)	TO (OUTPUT)	$V_{CCB} = 1.8\text{V}$	$V_{CCB} = 2.5\text{V}$	$V_{CCB} = 3.3\text{V}$	$V_{CCB} = 5\text{V}$	UNITS	
			TYP	TYP	TYP	TYP		
t_{PD}	t_{PLH}	A	B	13.9	12.1	10.9	10.2	ns
				t_{PHL}	13.7	12.2	11.3	
	t_{PLH}	B	A	12.3	13.7	13.2	9.4	
				t_{PHL}	11.1	11.5	9.0	
t_{EN}	t_{PZH}	OE	A	32.0	31.3	31.2	30.3	ns
				t_{PZL}	32.9	28.8	27.3	
	t_{PZH}		B	29.2	23.4	21.7	21.2	
				t_{PZL}	33.5	29.6	28.9	
t_{DIS}	t_{PHZ}	OE	A	1030	1030	1050	1050	ns
				t_{PLZ}	510	520	520	
	t_{PHZ}		B	1070	1120	1080	1110	
				t_{PLZ}	530	570	570	
t_{rA}	A Ports Rise Time		8.0	6.0	5.8	4.8	ns	
t_{fA}	A Ports Fall Time		3.9	2.9	2.8	1.6	ns	
t_{rB}	B Ports Rise Time		4.0	2.3	2.0	1.8	ns	
t_{fB}	B Ports Fall Time		2.4	1.9	1.8	1.6	ns	
$t_{SK(O)}$	Channel-to-Channel Skew		0.5	0.5	0.5	0.5	ns	
Data Rate			50	50	50	50	Mbps	

SWITCHING CHARACTERISTICS

($T_A = +25^\circ\text{C}$, $V_{CCA} = 1.8\text{V}$, unless otherwise noted.)

PARAMETER	FROM (INPUT)	TO (OUTPUT)	$V_{CCB} = 1.8\text{V}$	$V_{CCB} = 2.5\text{V}$	$V_{CCB} = 3.3\text{V}$	$V_{CCB} = 5\text{V}$	UNITS	
			TYP	TYP	TYP	TYP		
t_{PD}	A	B	t_{PLH}	13.8	10.2	9.0	8.3	ns
			t_{PHL}	10.6	9.0	8.2	7.7	
	B	A	t_{PLH}	11.2	9.9	8.0	7.4	
			t_{PHL}	8.6	6.8	7.4	5.7	
t_{EN}	OE	A	t_{PZH}	21.6	21.9	23.2	20.8	ns
			t_{PZL}	26.0	21.4	20.6	20.0	
		B	t_{PZH}	24.8	19.0	17.2	16.4	
			t_{PZL}	24.7	21.3	20.8	21.8	
t_{DIS}	OE	A	t_{PHZ}	1080	1080	1090	1070	ns
			t_{PLZ}	540	540	530	540	
		B	t_{PHZ}	1070	1110	1090	1100	
			t_{PLZ}	530	560	560	560	
t_{rA}	A Ports Rise Time		4.7	4.2	3.5	3.0	ns	
t_{fA}	A Ports Fall Time		2.6	2.1	2.6	4.1	ns	
t_{rB}	B Ports Rise Time		3.4	2.3	1.9	1.7	ns	
t_{fB}	B Ports Fall Time		2.4	1.7	1.5	1.5	ns	
$t_{SK(O)}$	Channel-to-Channel Skew		0.5	0.5	0.5	0.5	ns	
Data Rate			52	60	60	60	Mbps	

SWITCHING CHARACTERISTICS

(T_A = +25°C, V_{CCA} = 2.5V, unless otherwise noted.)

PARAMETER		FROM (INPUT)	TO (OUTPUT)	V _{CCB} = 2.5V	V _{CCB} = 3.3V	V _{CCB} = 5V	UNITS
				TYP	TYP	TYP	
t _{PD}	t _{PLH}	A	B	8.2	7.7	6.1	ns
	t _{PHL}			6.6	4.5	5.1	
	t _{PLH}	B	A	6.4	6.2	4.9	
	t _{PHL}			5.8	3.9	3.9	
t _{EN}	t _{PZH}	OE	A	15.0	15.4	18.4	ns
	t _{PZL}			16.5	14.2	13.9	
	t _{PZH}		B	15.6	15.6	12.8	
	t _{PZL}			15.5	16.3	15.2	
t _{DIS}	t _{PHZ}	OE	A	1090	1100	1110	ns
	t _{PLZ}			570	570	570	
	t _{PHZ}		B	1100	1080	1090	
	t _{PLZ}			570	560	550	
t _{rA}	A Ports Rise Time			2.4	3.3	3.3	ns
t _{fA}	A Ports Fall Time			2.0	3.2	2.5	ns
t _{rB}	B Ports Rise Time			2.3	2.6	2.5	ns
t _{fB}	B Ports Fall Time			1.9	3.1	1.3	ns
t _{SK(O)}	Channel-to-Channel Skew			0.5	0.5	0.5	ns
Data Rate				70	100	100	Mbps

SWITCHING CHARACTERISTICS

(T_A = +25°C, V_{CCA} = 3.3V, unless otherwise noted.)

PARAMETER		FROM (INPUT)	TO (OUTPUT)	V _{CCB} = 3.3V	V _{CCB} = 5V	UNITS
				TYP	TYP	
t _{PD}	t _{PLH}	A	B	5.6	3.7	ns
	t _{PHL}			4.9	3.7	
	t _{PLH}	B	A	4.3	3.6	
	t _{PHL}			4.2	2.6	
t _{EN}	t _{PZH}	OE	A	13.3	15.0	ns
	t _{PZL}			14.4	13.1	
	t _{PZH}		B	14.5	13.3	
	t _{PZL}			13.5	15.5	
t _{DIS}	t _{PHZ}	OE	A	1080	1090	ns
	t _{PLZ}			570	570	
	t _{PHZ}		B	1060	1100	
	t _{PLZ}			560	560	
t _{rA}	A Ports Rise Time			2.0	2.0	ns
t _{fA}	A Ports Fall Time			1.7	1.6	ns
t _{rB}	B Ports Rise Time			2.1	1.7	ns
t _{fB}	B Ports Fall Time			2.1	1.5	ns
t _{SK(O)}	Channel-to-Channel Skew			0.5	0.5	ns
Data Rate				100	100	Mbps

SWITCHING CHARACTERISTICS

($T_A = +25^\circ\text{C}$, $V_{CCA} = 5\text{V}$, unless otherwise noted.)

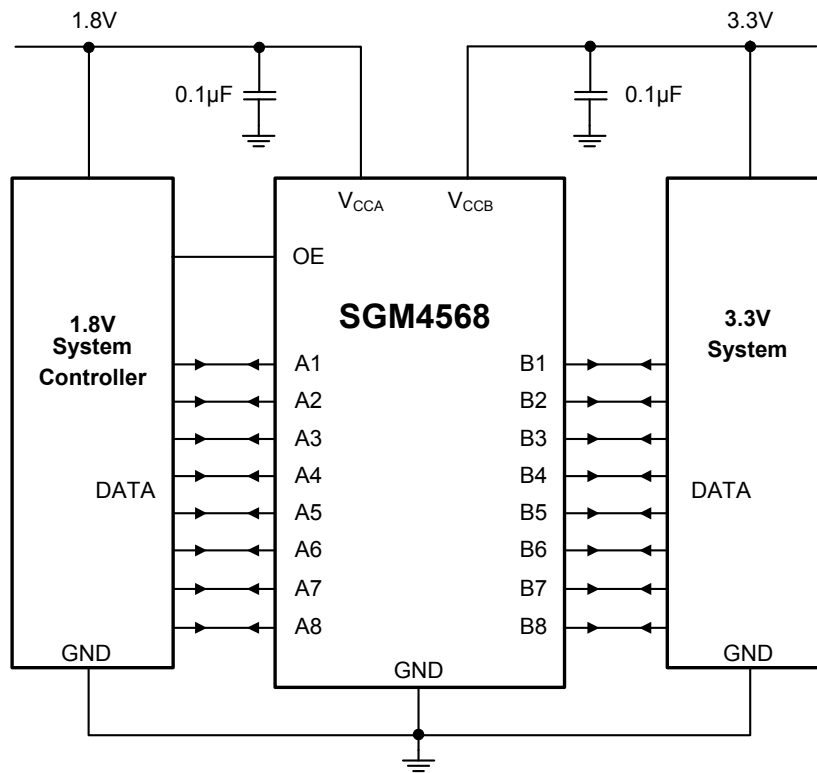
PARAMETER	FROM (INPUT)	TO (OUTPUT)	$V_{CCB} = 5\text{V}$		UNITS
			TYP		
t_{PD}	A	B	t_{PLH}	3.7	ns
			t_{PHL}	3.2	
	B	A	t_{PLH}	2.9	
			t_{PHL}	2.7	
t_{EN}	OE	A	t_{PZH}	15.6	ns
			t_{PZL}	14.3	
		B	t_{PZH}	15.3	
			t_{PZL}	15.3	
t_{DIS}	OE	A	t_{PHZ}	1090	ns
			t_{PLZ}	560	
		B	t_{PHZ}	1090	
			t_{PLZ}	560	
t_{rA}	A Ports Rise Time		1.5	ns	
t_{fA}	A Ports Fall Time		1.4	ns	
t_{rB}	B Ports Rise Time		2.2	ns	
t_{fB}	B Ports Fall Time		1.3	ns	
$t_{SK(O)}$	Channel-to-Channel Skew		0.5	ns	
Data Rate			100	Mbps	

OPERATING CHARACTERISTICS

($T_A = 25^\circ\text{C}$, unless otherwise noted.)

PARAMETER	TEST CONDITIONS	V_{CCA}									UNIT
		1.2V	1.2V	1.5V	1.8V	2.5V	2.5V	3.3V	3.3V	5V	
		V_{CCB}									
		5V	1.8V	1.8V	1.8V	2.5V	5V	3.3V	5V	5V	
		TYP	TYP	TYP	TYP	TYP	TYP	TYP	TYP	TYP	
C_{PDA}	A Port Inputs, B Port Outputs	68	64	34	9	9	10	11	11	12	pF
	B Port Inputs, A Port Outputs	6	6	6	6	6	6	6	6	6	
C_{PDB}	A Port Inputs, B Port Outputs	7	6	6	6	6	6	6	6	6	
	B Port Inputs, A Port Outputs	40	97	10	9	9	10	10	11	12	
C_{PDA}	A Port Inputs, B Port Outputs	0.003	0.002	0.004	0.003	0.004	0.003	0.003	0.003	0.003	pF
	B Port Inputs, A Port Outputs	0.004	0.003	0.007	0.004	0.004	0.003	0.002	0.002	0.003	
C_{PDB}	A Port Inputs, B Port Outputs	0.004	0.008	0.009	0.007	0.004	0.003	0.003	0.003	0.003	
	B Port Inputs, A Port Outputs	0.004	0.008	0.009	0.008	0.003	0.003	0.003	0.003	0.002	

TYPICAL APPLICATION CIRCUIT



APPLICATION INFORMATION

Applications

The SGM4568 can be used in level-translation applications for interfacing devices or systems operating at different interface voltages with one another.

Architecture

The SGM4568 architecture (see Figure 1) does not require a direction-control signal to control the direction of data flow from A to B or from B to A. In a DC state, the output drivers of the SGM4568 can maintain a high or low, but are designed to be weak, so that they can be overdriven by an external driver when data on the bus starts flowing the opposite direction.

The output one-shots detect rising or falling edges on the A or B ports. During a rising edge, the one-shot turns on the PMOS transistors (T1, T3) for a short duration, which speeds up the low-to-high transition. Similarly, during a falling edge, the one-shot turns on the NMOS transistors (T2, T4) for a short duration, which speeds up the high-to-low transition. The typical output impedance during output transition is 70Ω at $V_{CC0} = 1.2V$ to $1.8V$, 50Ω at $V_{CC0} = 1.8V$ to $3.3V$, and 40Ω at $V_{CC0} = 3.3V$ to $5V$.

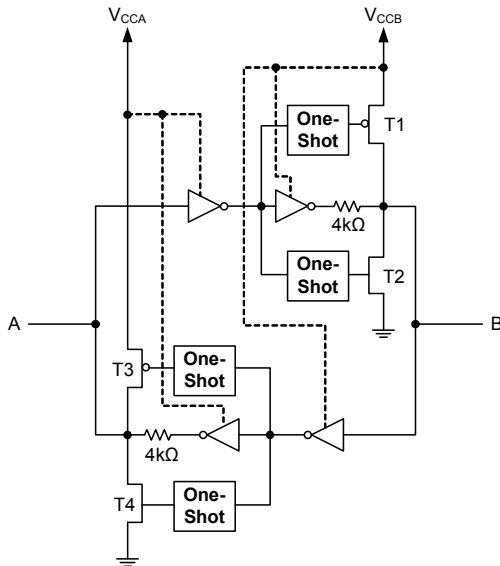
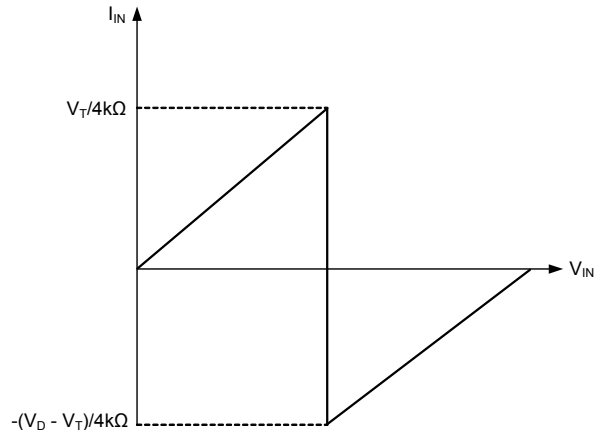


Figure 1. Architecture of SGM4568 I/O Cell

Input Driver Requirements

Typical I_{IN} vs. V_{IN} characteristics of the SGM4568 are shown in Figure 2. For proper operation, the device driving the data I/Os of the SGM4568 must have drive strength of at least $\pm 2mA$.



A. V_T is the input threshold voltage of the SGM4568 (typically $V_{CC0}/2$).
 B. V_D is the supply voltage of the external driver.

Figure 2. Typical I_{IN} vs. V_{IN} Curve

Power Up

During operation, ensure that $V_{CCA} \leq V_{CCB}$ at all times. During power-up sequencing, $V_{CCA} \geq V_{CCB}$ does not damage the device, so any power supply can be ramped up first. The SGM4568 has circuitry that disables all output ports when either V_{CC} is switched off ($V_{CCA/B} = 0V$).

Enable and Disable

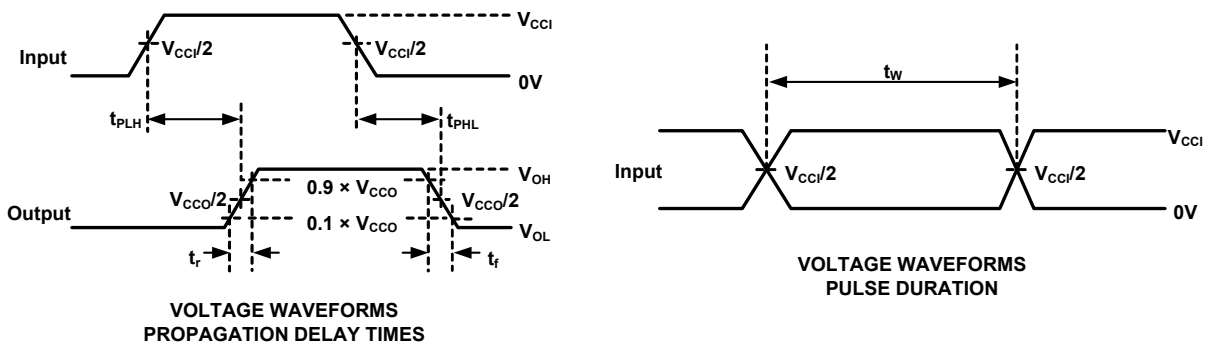
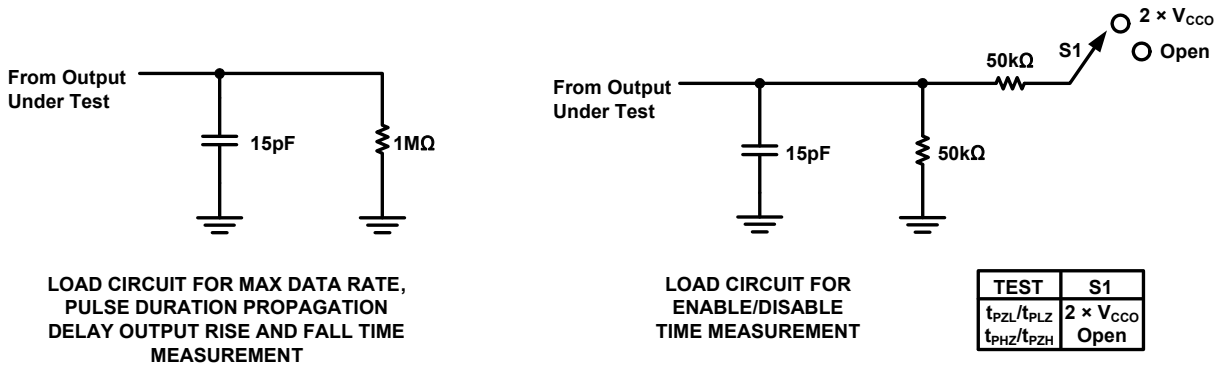
The SGM4568 has an OE input that is used to disable the device by setting OE = low, which places all I/Os in the high-impedance (Hi-Z) state. The disable time (t_{DIS}) indicates the delay between when OE goes low and when the outputs are actually disabled (Hi-Z). The enable time (t_{EN}) indicates the amount of time the user must allow for the one-shot circuitry to become operational after OE is taken high.

Pull-Up or Pull-Down Resistors on I/O Lines

The SGM4568 is designed to drive capacitive loads of up to 70pF. The output drivers of the SGM4568 have low DC drive strength. If pull-up or pull-down resistors are connected externally to the data I/Os, their values must be kept higher than 50kΩ to ensure that they do not contend with the output drivers of the SGM4568.

For the same reason, the SGM4568 should not be used in applications such as I²C or 1-wire where an open-drain driver is connected on the bidirectional data I/O.

PARAMETER MEASUREMENT INFORMATION



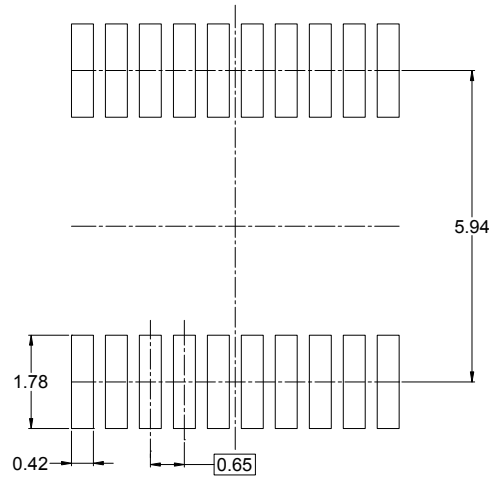
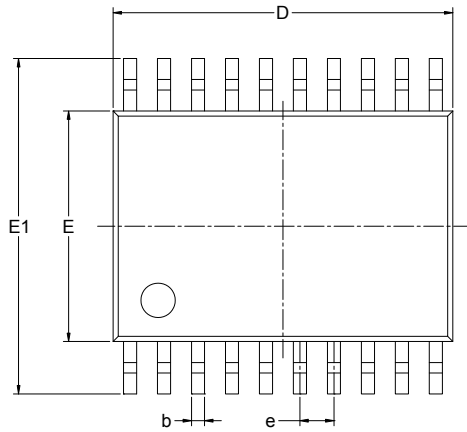
NOTES:

1. C_L includes probe and jig capacitance.
2. All input pulses are supplied by generators having the following characteristics: PRR ≤ 10MHz, Z_O = 50Ω, dv/dt ≥ 1V/ns.
3. The outputs are measured one at a time, with one transition per measurement.
4. t_{PLH} and t_{PHL} are the same as t_{PD}.
5. V_{CC1} is the V_{CC} associated with the input ports.
6. V_{CCO} is the V_{CC} associated with the output ports.
7. All parameters and waveforms are not applicable to all devices.

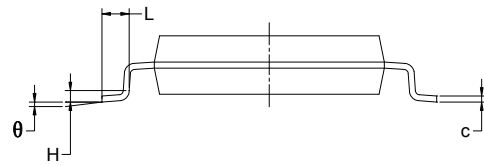
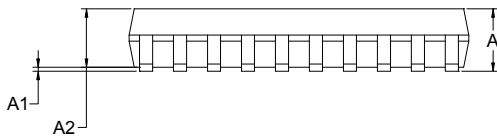
Figure 3. Load Circuits and Voltage Waveforms

PACKAGE OUTLINE DIMENSIONS

TSSOP-20



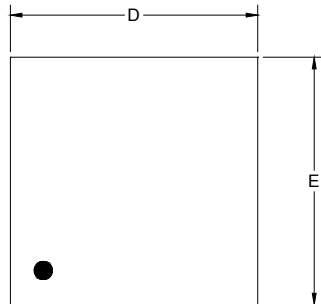
RECOMMENDED LAND PATTERN (Unit: mm)



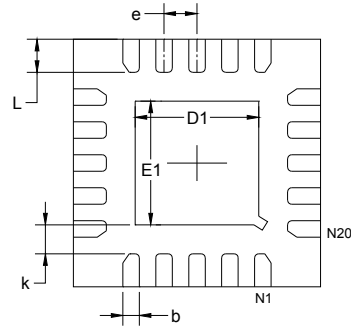
Symbol	Dimensions In Millimeters		Dimensions In Inches	
	MIN	MAX	MIN	MAX
A		1.100		0.043
A1	0.050	0.150	0.002	0.006
A2	0.800	1.000	0.031	0.039
b	0.190	0.300	0.007	0.012
c	0.090	0.200	0.004	0.008
D	6.400	6.600	0.252	0.259
E	4.300	4.500	0.169	0.177
E1	6.250	6.550	0.246	0.258
e	0.650 BSC		0.026 BSC	
L	0.500	0.700	0.02	0.028
H	0.25 TYP		0.01 TYP	
θ	1°	7°	1°	7°

PACKAGE OUTLINE DIMENSIONS

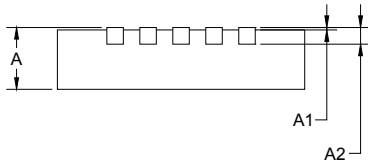
TQFN-3x3-20L



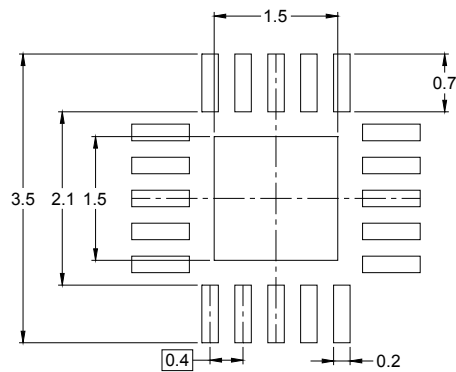
TOP VIEW



BOTTOM VIEW



SIDE VIEW

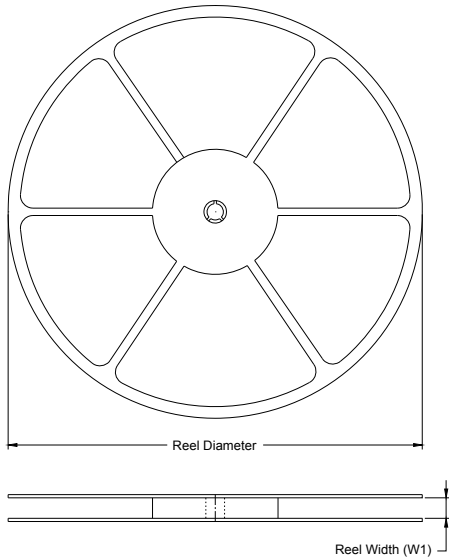


RECOMMENDED LAND PATTERN (Unit: mm)

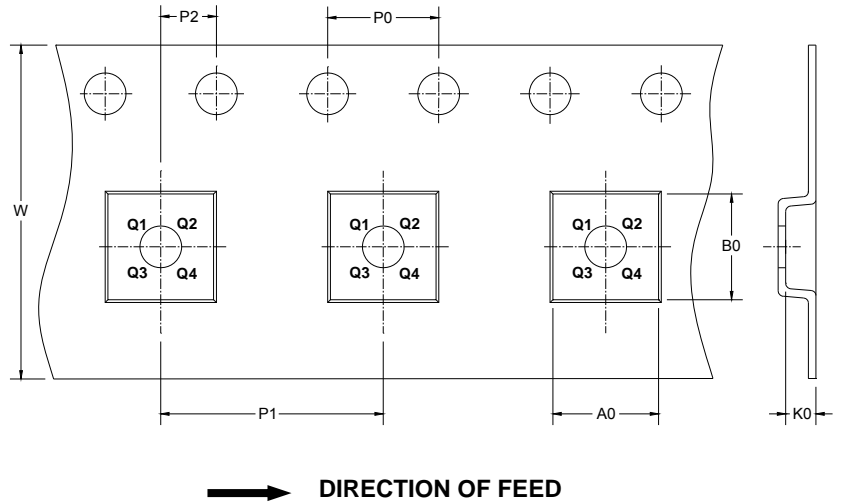
Symbol	Dimensions In Millimeters		Dimensions In Inches	
	MIN	MAX	MIN	MAX
A	0.700	0.800	0.028	0.031
A1	0.000	0.050	0.000	0.002
A2	0.203 REF		0.008 REF	
D	2.924	3.076	0.115	0.121
D1	1.400	1.600	0.055	0.063
E	2.924	3.076	0.115	0.121
E1	1.400	1.600	0.055	0.063
k	0.200 MIN		0.008 MIN	
b	0.150	0.250	0.006	0.010
e	0.400 TYP		0.016 TYP	
L	0.324	0.476	0.013	0.019

TAPE AND REEL INFORMATION

REEL DIMENSIONS



TAPE DIMENSIONS



NOTE: The picture is only for reference. Please make the object as the standard.

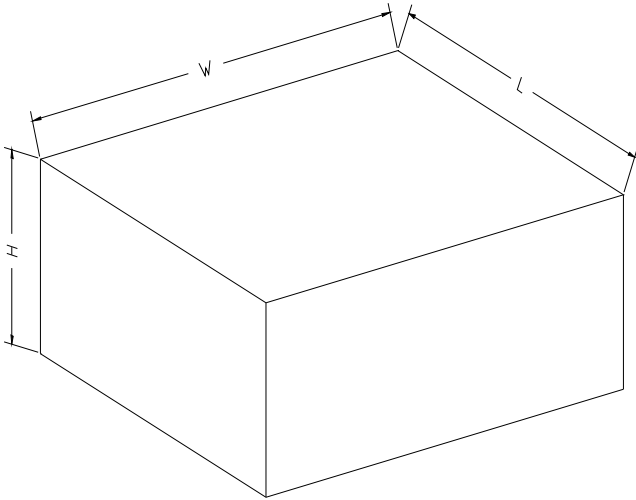
KEY PARAMETER LIST OF TAPE AND REEL

Package Type	Reel Diameter	Reel Width W1 (mm)	A0 (mm)	B0 (mm)	K0 (mm)	P0 (mm)	P1 (mm)	P2 (mm)	W (mm)	Pin1 Quadrant
TSSOP-20	13"	12.4	6.8	6.85	1.7	4.0	8.0	2.0	12.0	Q1
TQFN-3×3-20L	13"	12.4	3.3	3.3	1.1	4.0	4.0	2.0	12.0	Q1

D100001

PACKAGE INFORMATION

CARTON BOX DIMENSIONS



NOTE: The picture is only for reference. Please make the object as the standard.

KEY PARAMETER LIST OF CARTON BOX

Reel Type	Length (mm)	Width (mm)	Height (mm)	Pizza/Carton
13"	386	280	370	5

DD01002