

Current-Limited, Power Distribution Switches

General Description

The uP7566 is a current limited high-side switch designed for applications where heavy capacitive loads and short-circuits are likely to be met. This device operates with inputs from 2.7V to 5.5V for both 3V and 5V systems. Its low quiescent current and shutdown current (<1uA) conserve battery power in portable.

The power switch is controlled by a logic enable input and driven by an internal charge pump circuit. When the output load exceeds the current-limit threshold or a short is present, the uP7566 asserts over current protection and limits the output current to a safe level by driving the power switch into saturation mode.

The uP7566 features glitch-blank fault flag that is asserted by over current and over temperature. The 8ms glitch-blanking time allows momentary faults to be ignored, thus preventing false alarms to the host system.

Other features include soft-start to limit inrush current during plug-in, thermal shutdown to prevent catastrophic switch failure from high-current loads, under-voltage lockout (UVLO) to ensure that the device remains off unless there is a valid input voltage present, and output reverse voltage to turn off the power switch when the output voltage is higher than input voltage. The uP7566 is available in TSOT23-5L, TSOT23-5L(Flip-Chip), SOT23 - 5L, and MSOP-8L packages.

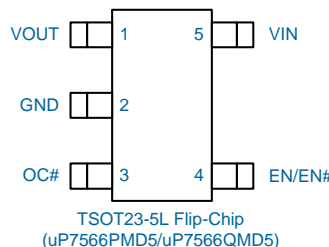
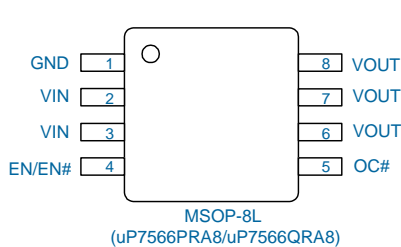
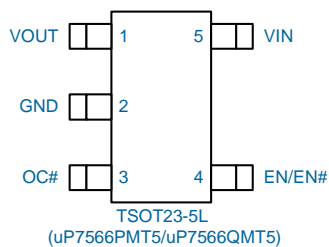
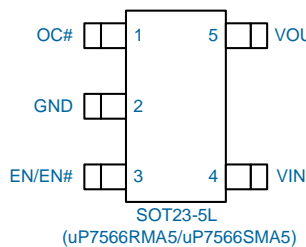
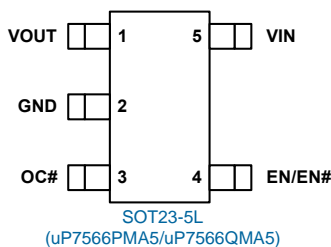
Features

- ❑ Compliant to USB Specifications
- ❑ Operating Range: 2.7 V to 5.5 V
- ❑ 75mΩ (5V Input) High Side MOSFET Switch
- ❑ 100uA Typical Quiescent Current
- ❑ <1uA Typical Shutdown Current
- ❑ Over Current/ Short Circuit Protection
- ❑ Output Reverse Voltage/Current Protection
- ❑ Fast Short-Circuit Response Time: 2us (typ.)
- ❑ Thermal Shutdown Protection
- ❑ Deglitched Open Drain Fault Flag
- ❑ Slow Turn On and Fast Turn Off
- ❑ Enable Active-High or Active-Low
- ❑ Pb-Free (RoHS Compliant)
- ❑ UL Approved E316940
- ❑ TUV EN62368-1(Certification No.:R50179160)
- ❑ CB IEC62368-1 (Certification No.:50345136)

Applications

- ❑ Notebook and Desktop PCs
- ❑ USB Power Management
- ❑ ACPI Power Distribution
- ❑ Hot-Plug Power Supplies
- ❑ Battery-Powered Equipments
- ❑ Battery-Charger Circuits

Pin Configuration



uP7566

Ordering Information

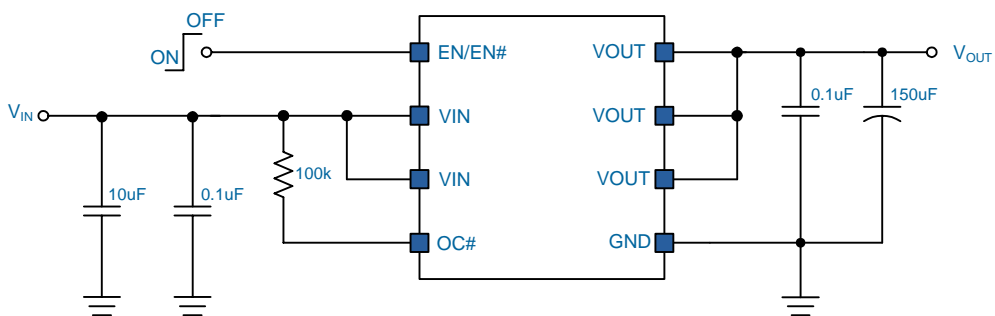
Order Number	Package	Remark
uP7566PRA8-XX	MSOP-8L	Enable Active High
uP7566QRA8-XX	MSOP-8L	Enable Active Low
uP7566PMA5-XX	SOT23-5L	Enable Active High
uP7566QMA5-XX	SOT23-5L	Enable Active Low
uP7566RMA5-XX	SOT23-5L	Enable Active High
uP7566SMA5-XX	SOT23-5L	Enable Active Low
uP7566PMT5-XX	TSOT23-5L	Enable Active High
uP7566QMT5-XX	TSOT23-5L	Enable Active Low
uP7566PMD5-XX	TSOT23-5L (Flip-Chip)	Enable Active High
uP7566QMD5-XX	TSOT23-5L (Flip-Chip)	Enable Active Low

Code XX	Typical Current Limit (A)	Typical Short Circuit Current (A)
10	1.5	0.9
15	2.1	1.0
20	2.5	1.5
25	3.3	2.0

Note:

- (1) Please check the sample/production availability with uPI representatives.
- (2) uPI products are compatible with the current IPC/JEDEC J-STD-020 requirement. They are halogen-free, RoHS compliant and 100% matte tin (Sn) plating that are suitable for use in SnPb or Pb-free soldering processes.

Typical Application Circuit

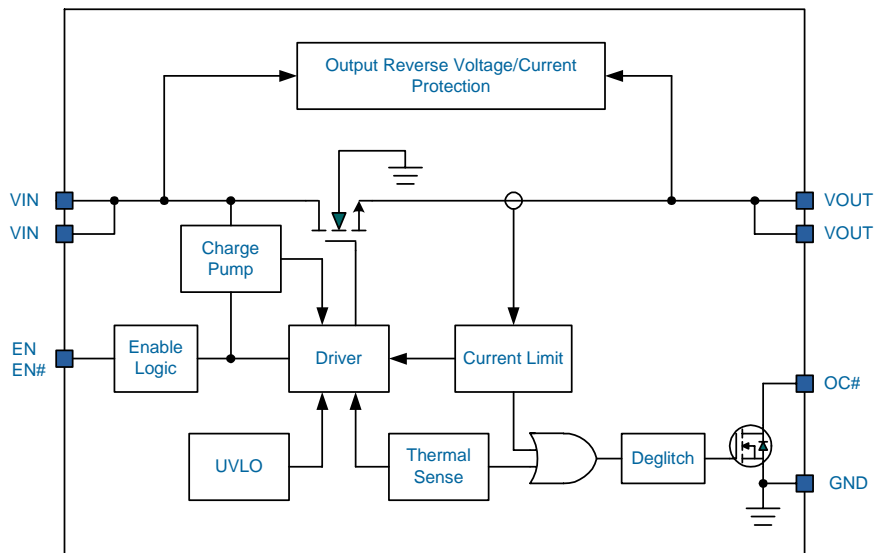


uP7566

Functional Pin Description

Pin Name	Pin Function
OC#	Fault Flag. This is an active-low, open-drain fault flag output for the power switch. A 8ms deglitch on both the rising and falling edges avoids false triggering at startup and during transients.
VOUT	Output Voltage. This pins is output from N-Channel MOSFET Source. Bypass this pin with a minimum 22uF capacitor to ground.
GND	Ground.
EN/EN#	Enable Input. This is the enable input to turn on/off the power switch.
VIN	Supply Input. This is the input pin to N-Channel MOSFET Drain and supply to control circuit. Bypass this pin with a 10uF capacitor to ground.

Functional Block Diagram



uP7566

Functional Description

Power Switch

The power switch is an N-channel MOSFET with a low on-state resistance. Configured as a high-side switch, the power switch prevents current flow from VOUT to VIN and VIN to VOUT when disabled. The power switch is controlled by a logic enable input and driven by an internal charge pump circuit. When the output load exceeds the current-limit threshold or a short is present, the uP7566 asserts over current protection and limits the output current to a safe level by driving the power switch into saturation mode.

Charge Pump

An internal charge pump supplies power to the driver circuit and provides the necessary voltage to pull the gate of the MOSFET above the source. The charge pump operates from input voltage.

Driver

The driver controls the gate voltage of the power switch. To limit large current surges and reduce the associated electromagnetic interference (EMI) produced, the driver incorporates circuitry that controls the rise times and fall times of the output voltage.

Chip Enable

Refer to Ordering Information, the uP7566 has active high (EN) or active low (EN#). The EN pin receives a TTL or CMOS compatible input to enable/disable the uP7566 Logic low disables the power switch, charge pump, gate driver and other circuitry and reduces the supply current down to less than 1uA. Logic high restores bias to the drive and control circuits and turns the switch on.

The EN# pin receives a TTL or CMOS compatible input to enable/disable the uP7566. Logic high disables the power switch, charge pump, gate driver and other circuitry and reduces the supply current down to less than 1uA. Logic low restores bias to the drive and control circuits and turns the switch on.

Soft Start

The uP7566 features soft start function to eliminate the inrush current into downstream and voltage droop of upstream when hot-plug-in with capacitive loads. The soft start interval is 0.9ms typically. The uP7566 current limit function may be active during the plug-in of extreme large capacitive load. The fault flag is masked during the softstart interval.

Under Voltage Lockout

A voltage sense circuit monitors the input voltage. When the input voltage is below approximately 2.2V, a control signal turns off the power switch.

Over Current Limit

The uP7566 continuously monitors the output current for over current protection to protect the system power, the power switch, and the load from damage during output short circuit or soft start interval. When an overload or short circuit is encountered, the current-sense circuitry sends a control signal to the driver. The driver in turn reduces the gate voltage and drives the power FET into its saturation region, which switches the output into a constant-current mode and holds the current constant while varying the voltage on the load.

Fault Flag

The uP7566 asserts fault condition and pulls low OC# when over current, over temperature condition is encountered. The output remains asserted until the over current and over temperature condition is removed. A 8ms deglitch on both the rising and falling edges avoids false triggering at startup and during transients. If an over temperature shutdown or over current occurs, the OC# is asserted instantaneously.

Over Temperature Protection

The uP7566 continuously monitor the operating temperature of the power switch for over temperature protection. The uP7566 asserts over temperature and turns off the power switch to prevent the device from damage if the junction temperature rises to approximately 135°C due over current or short-circuit conditions. Hysteresis is built into the thermal sense, the switch will not turns back on until the device has cooled approximately 20 degrees. The open-drain false reporting output (OC#) is asserted (active low) when an over temperature shutdown or over current occurs.

Output Voltage Discharge When Disabled

The output voltage is discharged through an internal resistor when the output voltage is disabled.

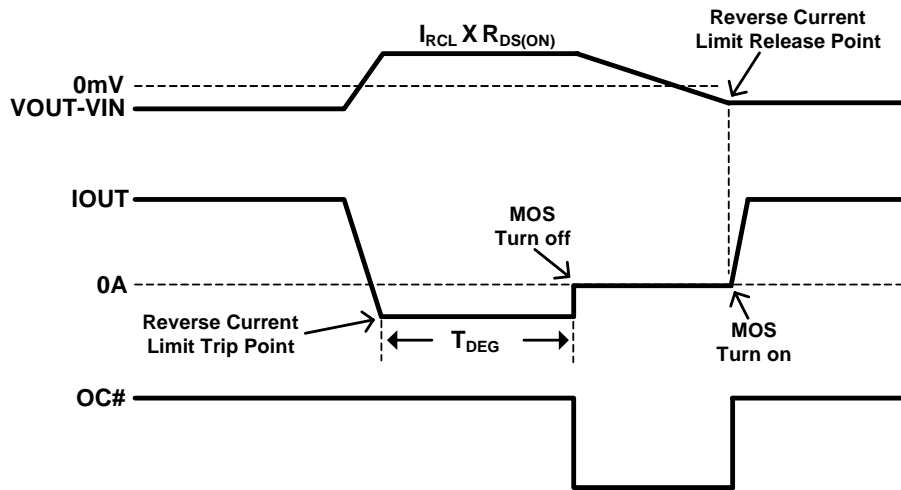
uP7566

Functional Description

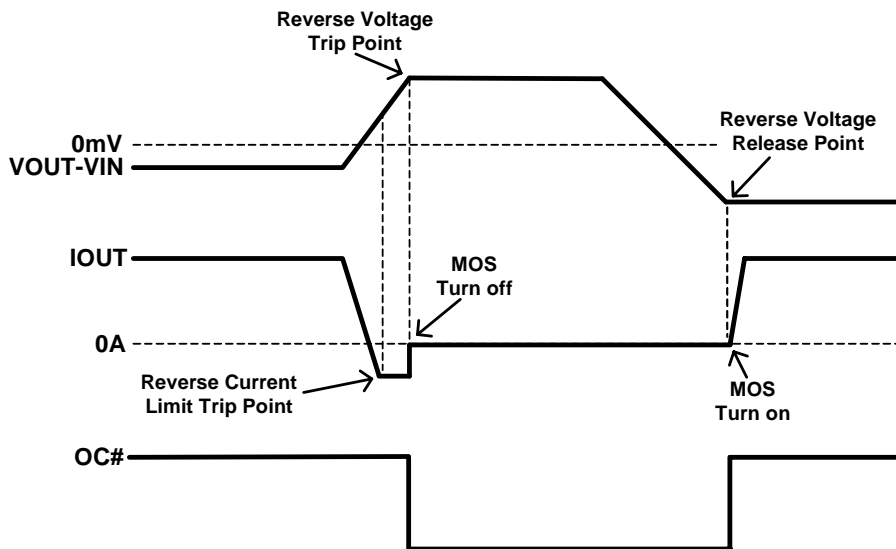
Reverse-Current Limit and Reverse-Voltage Protection

The uP7566 has a reverse current limit feature that protects the input source against significant back current flow from output to input when the output side voltage is higher than the input side. This feature is activated and clamped to a reverse-current level (200mA typical) at a deglitch time of 4ms when the output side voltage is higher than the input side. After 4ms deglitch time, the N-channel MOSFET is turned off, no current flows from the output to the input. The N-channel MOSFET will be turned on if the output side voltage is lower than the input side (5mV typical).

In addition to reverse current limit, reverse voltage protection is also implemented. A reverse voltage comparator controls the N-channel MOSFET to be turned ON or OFF. The N-channel MOSFET is turned off after 40us (typical) deglitch time as soon as $V_{OUT}-V_{IN}$ exceeds 60mV. It turns on within 40us (typical) deglitch time until the voltage $V_{OUT}-V_{IN}$ falls below -40mV. The following Figures show typical protection behavior implementation using the uP7566.



Reverse Current Limit Protection



Reverse Voltage Protection

uP7566

Absolute Maximum Rating

(Note 1)

Supply Input Voltage, V_{IN}	-0.3V to +6V
Other Pins	-0.3V to +6V
Storage Temperature Range	-65°C to +150°C
Junction Temperature	150°C
Lead Temperature (Soldering, 10 sec)	260°C
ESD Rating (Note 2)	
HBM (Human Body Mode)	2kV
MM (Machine Mode)	200V
CDM (Charged Device Mode)	1000V

Thermal Information

Package Thermal Resistance (Note 3)

TSOT23-5L θ_{JA}	250°C/W
TSOT23-5L θ_{JC}	100°C/W
TSOT23-5L (Flip-Chip) θ_{JA}	126.5°C/W
SOT23-5L θ_{JA}	250°C/W
SOT23-5L θ_{JC}	140°C/W
MSOP-8L θ_{JA}	160°C/W
MSOP-8L θ_{JC}	40°C/W
Power Dissipation, P_D @ $T_A = 25^\circ\text{C}$	
TSOT23-5L	0.40W
TSOT23-5L (Flip-Chip)	0.79W
SOP23-5L	0.40W
MSOP-8L	0.63W

Recommended Operation Conditions

(Note 4)

Operating Junction Temperature Range	-40°C to +125°C
Operating Ambient Temperature Range	-40°C to +85°C
Supply Input Voltage, V_{IN}	+2.7V to +5.5V

Electrical Characteristics

($V_{IN} = 5\text{V}$, $T_A = 25^\circ\text{C}$, unless otherwise specified)

Parameter	Symbol	Test Conditions	Min	Typ	Max	Units
Supply Input						
Supply Input Voltage			2.7	--	5.5	V
Under Voltage Lockout	V_{UVLO}	V_{IN} rising	2.0	2.2	2.4	V
UVLO Hysteresis	ΔV_{UVLO}		--	75	--	mV
Shutdown Current	I_{SD}	No load on V_{OUT} , disabled.	--	0.1	1	μA
Quiescent Current	I_Q	No load on V_{OUT} , enabled.	--	--	100	μA

uP7566

Electrical Characteristics

Parameter	Symbol	Test Conditions	Min	Typ	Max	Units	
Chip Enable							
Logic High Threshold		$2.7V < V_{IN} < 5.5V$	1.4	--	--	V	
Logic Low Threshold		$2.7V < V_{IN} < 5.5V$	--	--	0.4	V	
Enable Input Current		$0V < V_{EN}, V_{EN\#} < 5.5V$	-0.5	--	0.5	uA	
Turn On Time (Note 5)	T_{ON}	$C_L = 1\mu F, R_L = 10\Omega$	--	1	--	ms	
Turn Off Time (Note 5)	T_{OFF}	$C_L = 1\mu F, R_L = 10\Omega$	--	0.1	--	ms	
Output Rise Time	T_R	$C_L = 1\mu F, R_L = 10\Omega$	0.6	0.9	1.2	ms	
Output Fall Time	T_F	$C_L = 1\mu F, R_L = 10\Omega$	--	0.1	0.3	ms	
Output Discharge Resistance when Disabled		$V_{IN} = 5V, V_{OUT} = 5V, \text{disabled.}$ uP7566XXXX-XX	--	40	--	Ω	
		$V_{IN} = 5V, V_{OUT} = 5V, \text{disabled.}$ uP7566PMD5-XX	200	--	300		
		$V_{IN} = 5V, V_{OUT} = 5V, \text{disabled.}$ uP7566QMD5-XX	200	--	300		
Power Switch							
N-MOSFET ON Resistance (Note 6)	$R_{DS(ON)}$	Test current = 0.5A	uP7566XXXX-XX	--	--	75	m Ω
N-MOSFET ON Resistance for TSOT23-5L Flip-Chip Package Only (Note 6)	$R_{DS(ON)}$	Test current = 0.5A	uP7566PMD5-XX	--	40	--	m Ω
			uP7566QMD5-XX	--	40	--	
Current Limit							
Short Circuit Output Current	I_{SC}	$V_{IN} = 5.0V, V_{OUT}$ connected to GND, device enabled into short-circuit	uP7566XXXX-10	--	0.9	--	A
			uP7566XXXX-15	--	1.0	--	
			uP7566XXXX-20	--	1.5	--	
			uP7566XXXX-25	--	2.0	--	
Over Current Trip Threshold	I_{SC_TRI}	$V_{IN} = 5.0V, \text{current ramp} < 100A/s \text{ on } V_{OUT}$	uP7566XXXX-10	1.1	1.5	2.0	A
			uP7566XXXX-15	1.6	2.1	2.7	
			uP7566XXXX-20	2.1	2.5	3.1	
			uP7566XXXX-25	3.1	3.3	5.0	
Output Reverse Voltage Protection							
Output Reverse Voltage Trigger Point		$V_{OUT} - V_{IN}$	--	60	--	mV	
Output Reverse Voltage Release Trigger Point		$V_{IN} - V_{OUT}$	--	40	--	mV	
VOUT Shutdown Current	I_{SD_OUT}	$V_{OUT} = 5.5V, V_{IN}$ Short to GND	--	--	5	uA	
Output Reverse Current Protection							
Output Reverse Current Threshold			--	0.2	--	A	
Output Reverse Current Deglitch Time			--	4	--	ms	

uP7566

Electrical Characteristics

Parameter	Symbol	Test Conditions	Min	Typ	Max	Units
Over Temperature Protection						
Shutdown-Level Threshold		Guarantee by design	--	135	--	°C
Thermal Shutdown Hysteresis		Guarantee by design	--	20	--	°C
Fault Flag (OC#)						
Output Low Voltage	V_{OL}	$I_{OC\#} = 5\text{mA}$	--	--	0.4	V
Off State Current		$V_{OC\#} = 5.5\text{V}$	--	--	1	uA
OC# Deglitch		OC# assertion and deassertion delay	5	8	15	ms

Note 1. Stresses beyond those listed as the above *Absolute Maximum Ratings* may cause permanent damage to the device. These are for stress ratings only. Functional operation of the device at these or any other conditions beyond those indicated in the *Recommended Operation Condition* section of the specifications is not implied. Exposure to absolute maximum rating conditions for extended periods may remain possibility to affect device reliability.

Note 2. Devices are ESD sensitive. Handling precaution recommended.

Note 3. θ_{JA} is measured in the natural convection at $T_A = 25^\circ\text{C}$ on a low effective thermal conductivity test board of JEDEC 51-3 thermal measurement standard.

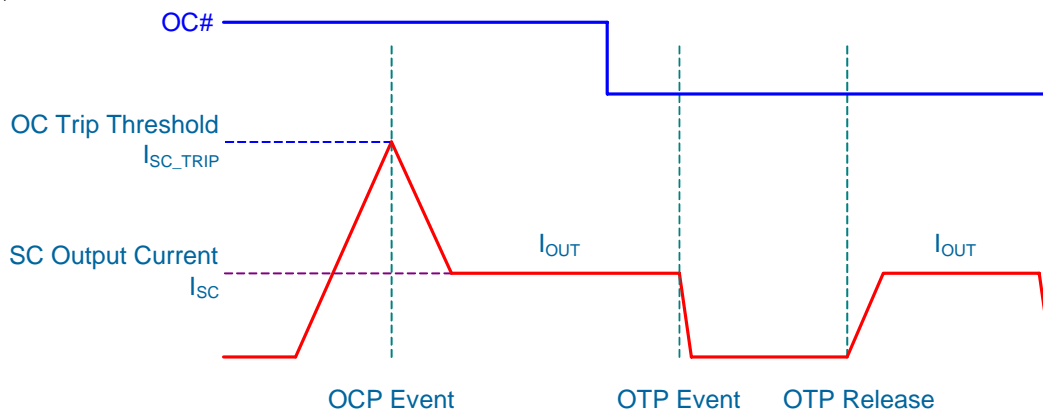
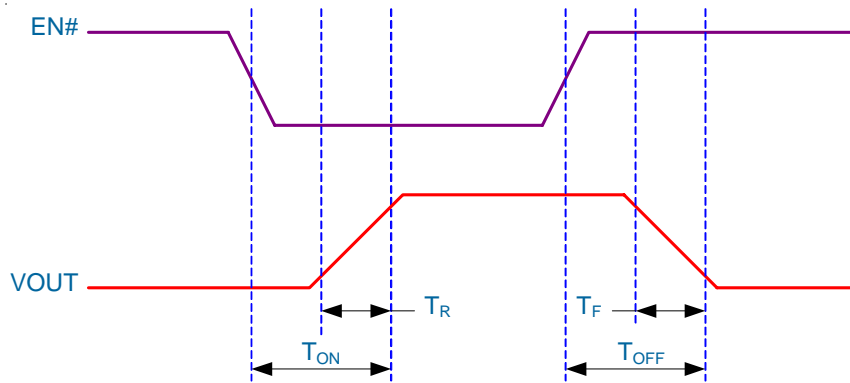
Note 4. The device is not guaranteed to function outside its operating conditions.

Note 5. These items are not tested in production, specified by design.

Note 6. Catalog by pulsed current, duration $\leq 1\text{mS}$, Frequency $\leq 100\text{Hz}$.

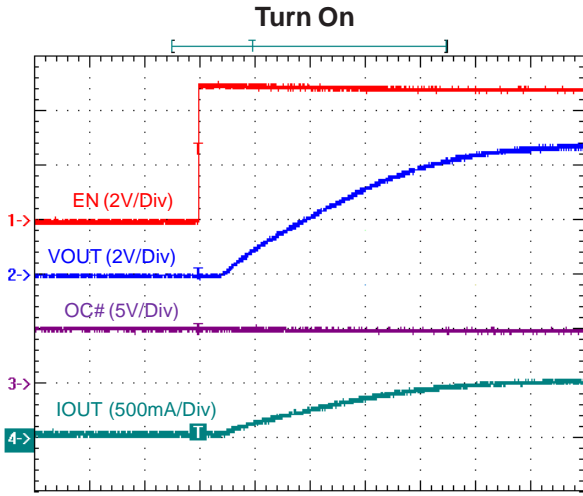
uP7566

Electrical Characteristics

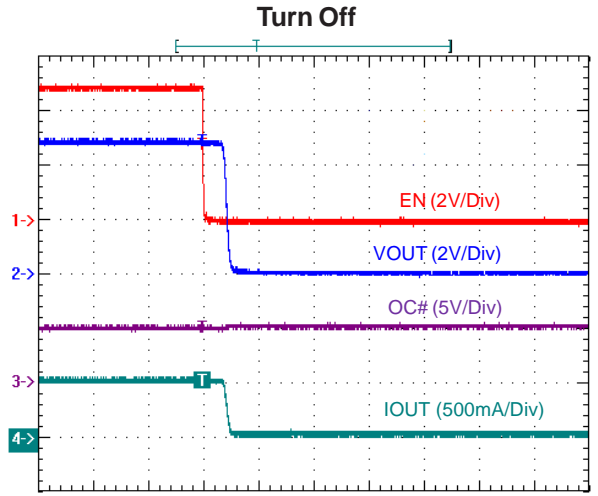


uP7566

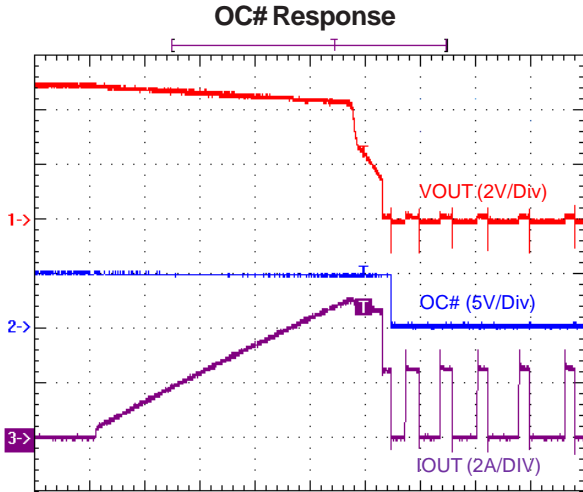
Typical Operation Characteristics



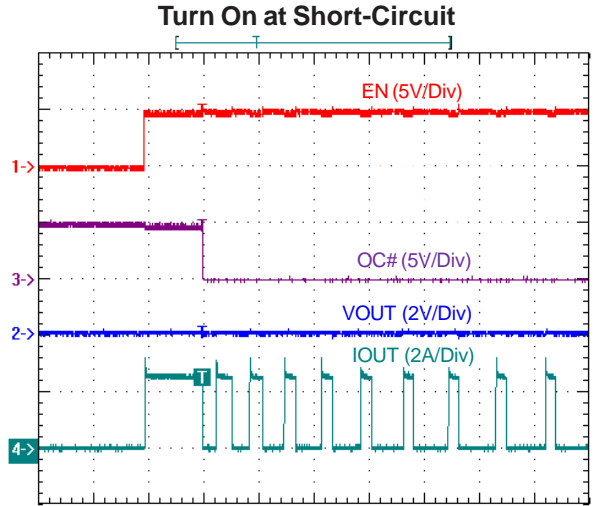
Time : 200us/Div
VIN = 5V, VOUT = 5V, CL = 1uF, RL = 10Ω



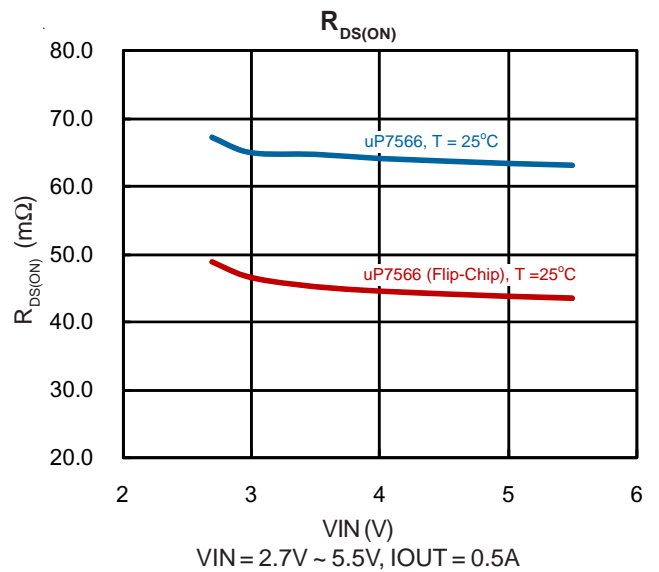
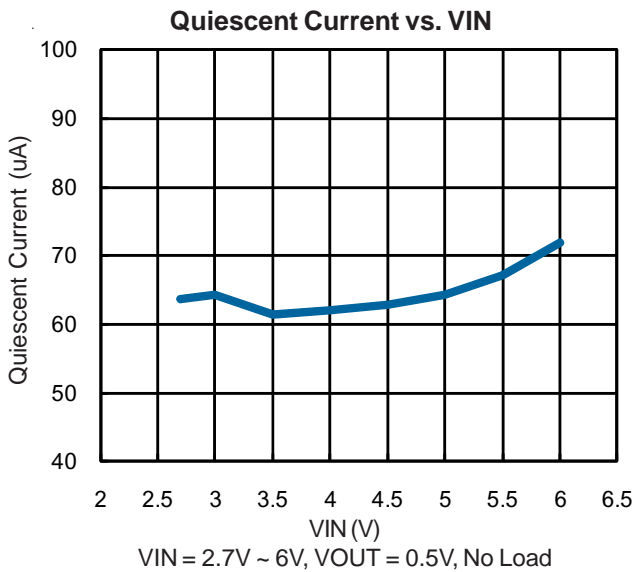
Time : 200us/Div
VIN = 5V, VOUT = 5V, CL = 1uF, RL = 10Ω



Time : 10ms/Div
VIN = 5V, VOUT = 5V, CL = 1uF



Time : 10ms/Div
VIN = 5V, VOUT = 5V, CL = 1uF



uP7566

Application Information

Supply Input Filtering

VIN pins supply power to the power switch and internal circuit. Both of them should be connect to upstream power supply with short and wide trace on the PCB.

Events such as hot-plug/unplug, output short circuit and over temperature result in step change of input current with sharp edges, which in turn causes voltage transient at supply input due to di/dit effect of parasitic inductance on the current path. A 0.1uF ceramic capacitor from VIN to GND, physically located near the device is strongly recommended to control the supply input transient. Minimizing the parasitic inductance along the current path also alleviate the voltage transient at the supply input.

Output Voltage Filtering

Bypassing the output voltage with a 0.1uF ceramic capacitor improves the immunity of the device against output short circuit and hot plug/unplug of load. A lower ESR capacitor results in lower voltage drop against a step load change. A large electrolytic capacitor from VOUT to GND is also recommended. This capacitor reduces power supply transient that may cause ringing on the input.

USB supports dynamic attachment (hot plug-in) of peripherals. A current surge is caused by the input capacitance of downstream device. Ferrite beads are recommended in series with all power and ground connector pins. Ferrite beads reduce EMI and limit the inrush current during hot-attachment by filtering high-frequency signals. The DC resistance of the ferrite bead should be specially taken care to reduce the voltage drop.

Voltage Drop and Power Dissipation

Temperature effect should be well considered when dealing with voltage drop and power dissipation. The maximum $R_{DS(ON)}$ of the power switch is 75mΩ under 25°C junction temperature. If the device is expected to operate at 125°C junction temperature, the $R_{DS(ON)}$ will become

$$75\text{m}\Omega \times [1 + (125^\circ\text{C} - 25^\circ\text{C}) \times 0.35\% / ^\circ\text{C}] = 101.25\text{m}\Omega$$

where 0.35%/°C is the approximated temperature coefficient of the $R_{DS(ON)}$.

If the maximum load current is expected to be 1.2A, the maximum voltage will become

$$1.2\text{A} \times 101.25\text{m}\Omega = 121.5\text{mV}$$

This in turn will cause power dissipation as

$$1.2\text{A} \times 121.5\text{mV} = 145.8\text{mW}$$

The temperature raise is calculated as

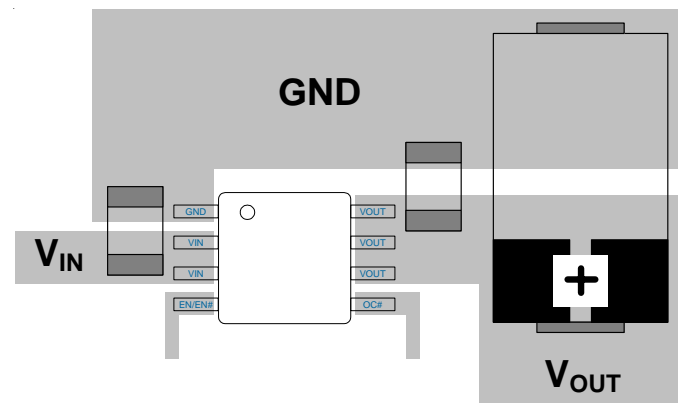
$$145.8\text{mW} \times 160^\circ\text{C} / \text{W} = 24^\circ\text{C}$$

The junction temperature is calculated as $T_A + 24^\circ\text{C}$, where T_A is the expected maximum ambient temperature. A few iterations are required until get final solutions.

Layout Consideration

The power circuitry of USB printed circuit boards requires a customized layout to maximize thermal dissipation and to minimized voltage drop and EMI

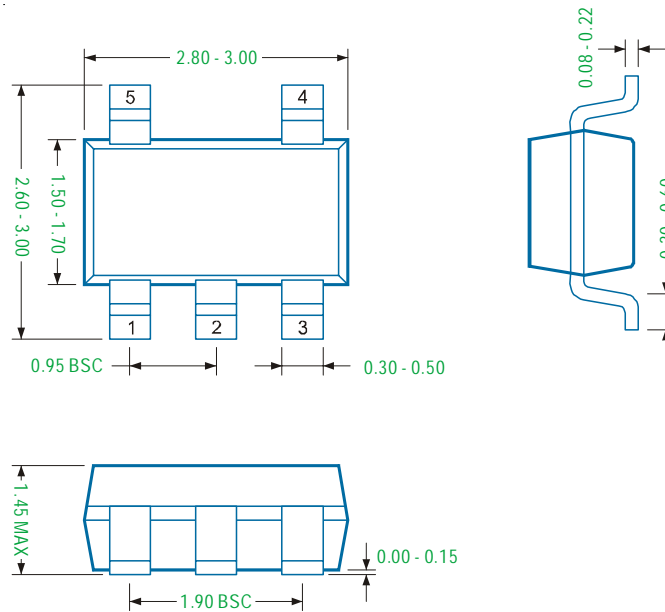
- Place the device physically as close to the USB port as possible. Keep all traces wide, short and direct to minimized the parasitic inductance. This optimizes the switch response time to output short circuit conditions.
- Place both input and output bypass capacitors near to the device.
- All VOUT pins should be connected together on the PCB. All VIN pins should be connected together on the PCB.



uP7566

Packaging Information

SOT23-5L Package



Note

1. Package Outline Unit Description:

BSC: Basic. Represents theoretical exact dimension or dimension target

MIN: Minimum dimension specified.

MAX: Maximum dimension specified.

REF: Reference. Represents dimension for reference use only. This value is not a device specification.

TYP: Typical. Provided as a general value. This value is not a device specification.

2. Dimensions in Millimeters.

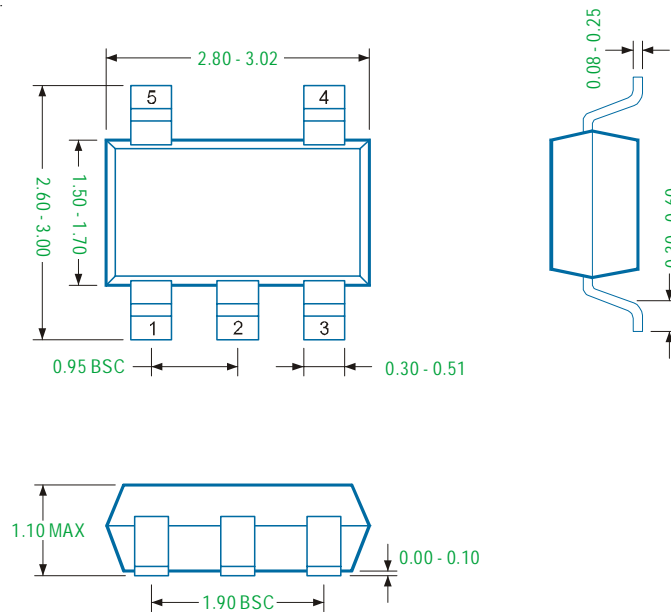
3. Drawing not to scale.

4. These dimensions do not include mold flash or protrusions. Mold flash or protrusions shall not exceed 0.15mm.

uP7566

Packaging Information

TSOT23 - 5L Package



Note

1. Package Outline Unit Description:

BSC: Basic. Represents theoretical exact dimension or dimension target

MIN: Minimum dimension specified.

MAX: Maximum dimension specified.

REF: Reference. Represents dimension for reference use only. This value is not a device specification.

TYP: Typical. Provided as a general value. This value is not a device specification.

2. Dimensions in Millimeters.

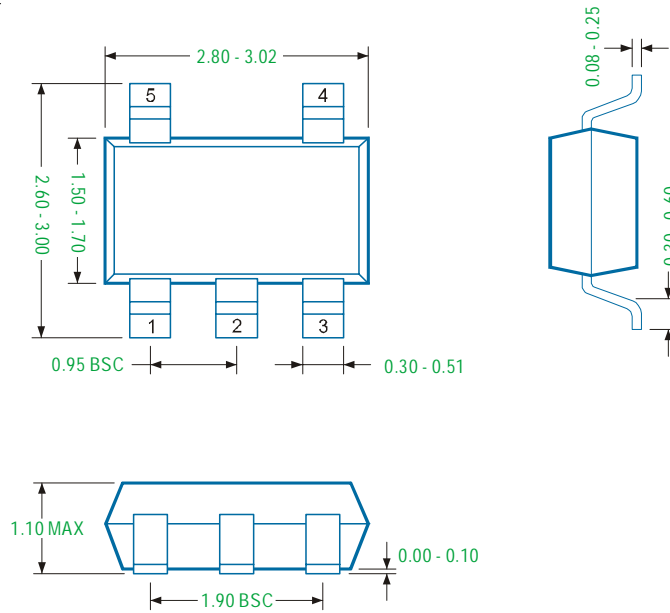
3. Drawing not to scale.

4. These dimensions do not include mold flash or protrusions. Mold flash or protrusions shall not exceed 0.15mm.

uP7566

Packaging Information

TSOT23 - 5L (Flip-Chip) Package



Note

1. Package Outline Unit Description:

BSC: Basic. Represents theoretical exact dimension or dimension target

MIN: Minimum dimension specified.

MAX: Maximum dimension specified.

REF: Reference. Represents dimension for reference use only. This value is not a device specification.

TYP: Typical. Provided as a general value. This value is not a device specification.

2. Dimensions in Millimeters.

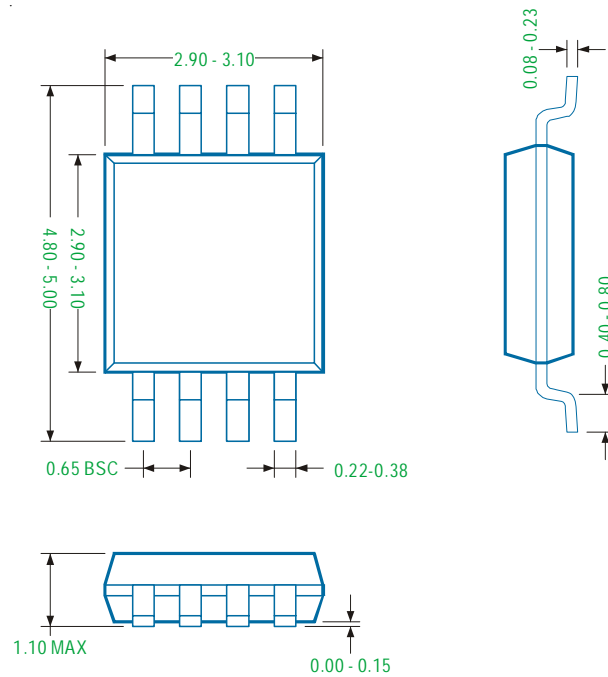
3. Drawing not to scale.

4. These dimensions do not include mold flash or protrusions. Mold flash or protrusions shall not exceed 0.15mm.

uP7566

Packaging Information

MSOP - 8L Package



Note

1. Package Outline Unit Description:

BSC: Basic. Represents theoretical exact dimension or dimension target

MIN: Minimum dimension specified.

MAX: Maximum dimension specified.

REF: Reference. Represents dimension for reference use only. This value is not a device specification.

TYP: Typical. Provided as a general value. This value is not a device specification.

2. Dimensions in Millimeters.

3. Drawing not to scale.

4. These dimensions do not include mold flash or protrusions. Mold flash or protrusions shall not exceed 0.15mm.

Legal Notice

The contents of this document are provided in connection with uPI Semiconductor Corp. (“uPI”) products. uPI makes no representations or warranties with respect to the accuracy or completeness of the contents of this publication and reserves the right to make changes to specifications and product descriptions at any time without notice.

No license, whether express, implied, arising by estoppel or otherwise, to any intellectual property rights, is granted by this publication. Except as provided in uPI’s terms and conditions of sale for such products, uPI assumes no liability whatsoever, and uPI disclaims any express or implied warranty relating to sale and/or use of uPI products, including liability or warranties relating to fitness for a particular purpose, merchantability, or infringement of any patent, copyright or other intellectual property right. uPI products are not designed, intended, authorized or warranted for use as components in systems intended for medical, life-saving, or life sustaining applications. uPI reserves the right to discontinue or make changes to its products at any time without notice.

Copyright 2020 ©, uPI Semiconductor Corp. All rights reserved.
uPI, uPI design logo, and combinations thereof, are registered trademarks of uPI Semiconductor Corp.

Other product names used in this publication are for identification purposes only and may be trademarks of their respective companies.