



SGMNQ28430

30V, Power, Single N-Channel, PDFN Package, MOSFET

GENERAL DESCRIPTION

The power MOSFET features a low on-state resistance.

FEATURES

- Low On-State Resistance
- Low QG and Capacitance Losses
- Small Footprint (5×6mm²) for Compact Design
- Halogen-Free/RoHS Compliant

APPLICATIONS

CPU Power Delivery
DC-DC Converters
Power Load Switch
Notebook Battery Management

ABSOLUTE MAXIMUM RATINGS

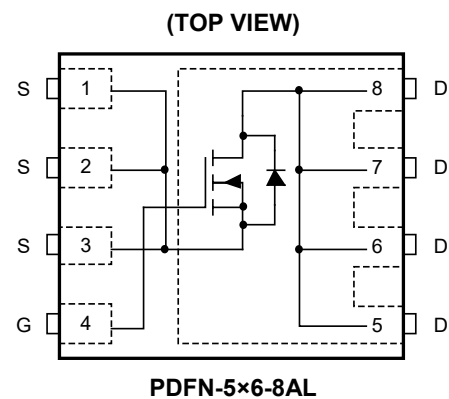
PARAMETER	SYMBOL	VALUE	UNITS
Drain-to-Source Voltage	V_{DS}	30	V
Gate-to-Source Voltage	V_{GS}	±20	V
Continuous Drain Current (DC)	I_D	78	A
Continuous Drain Current (Pulse)	I_{DM}	174	A
Total Dissipation	P_D	30	W
Avalanche Current	I_{AS}	45	A
Avalanche Energy	E_{AS}	101.25	mJ
Junction Temperature	T_J	+150	°C
Storage Temperature Range	T_{STG}	-55 to +150	°C
Lead Temperature (Soldering, 10s)		+260	°C

Stresses beyond those listed in Absolute Maximum Ratings may cause permanent damage to the device. Exposure to absolute maximum rating conditions for extended periods may affect reliability.

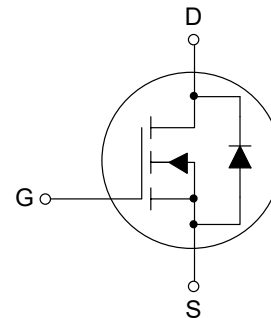
PRODUCT SUMMARY

$R_{DS(ON)}$ (TYP)	$R_{DS(ON)}$ (MAX)	I_D (MAX)
2.1mΩ	2.7mΩ	78A

PIN CONFIGURATION



EQUIVALENT CIRCUIT



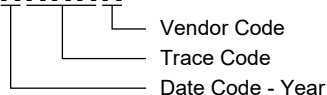
PACKAGE/ORDERING INFORMATION

MODEL	PACKAGE DESCRIPTION	SPECIFIED TEMPERATURE RANGE	ORDERING NUMBER	PACKAGE MARKING	PACKING OPTION
SGMNQ28430	PDFN-5x6-8AL	-55°C to +150°C	SGMNQ28430TPDA8G/TR	SGM28430 TPDA8 XXXXX	Tape and Reel, 4000

MARKING INFORMATION

NOTE: XXXXX = Date Code, Trace Code and Vendor Code.

XXXXX



Green (RoHS & HSF): SG Micro Corp defines "Green" to mean Pb-Free (RoHS compatible) and free of halogen substances. If you have additional comments or questions, please contact your SGMICRO representative directly.

DISCLAIMER

SG Micro Corp reserves the right to make any change in circuit design, or specifications without prior notice.

THERMAL RESISTANCE MAXIMUM RATINGS

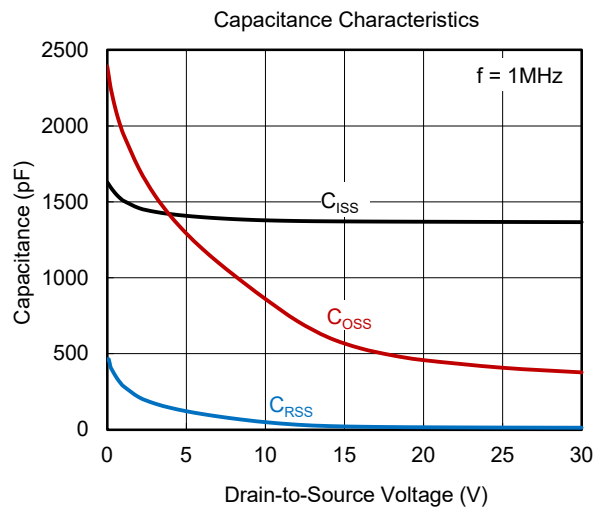
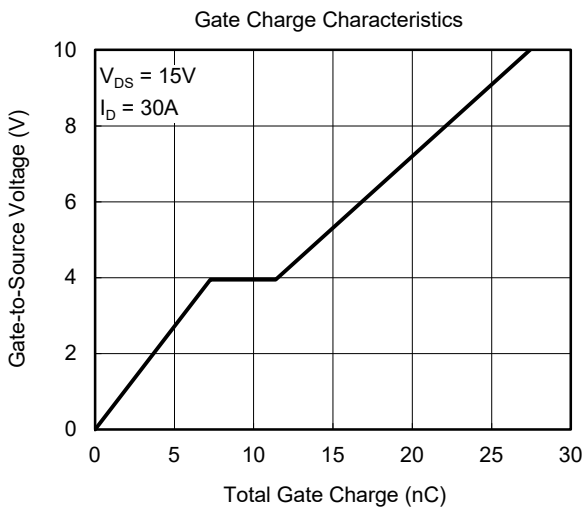
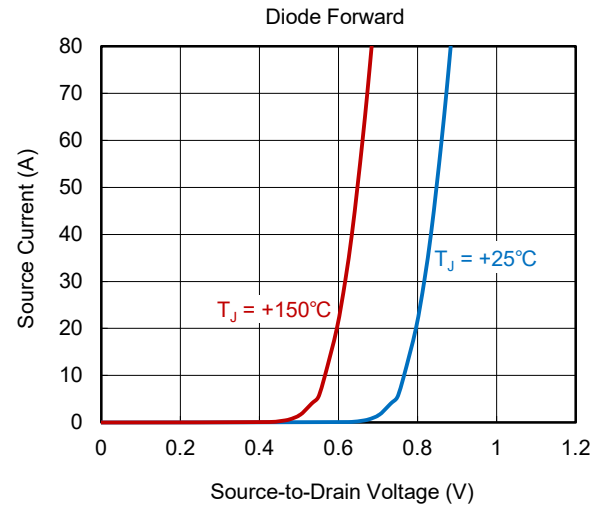
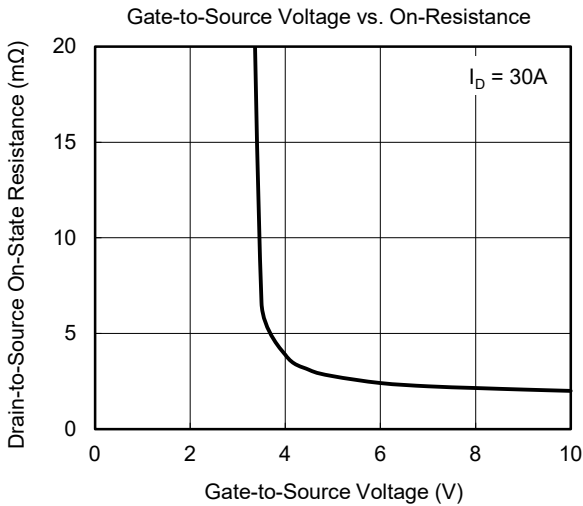
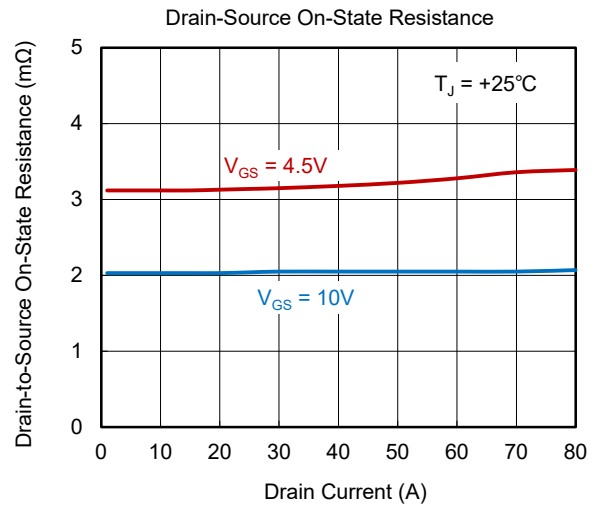
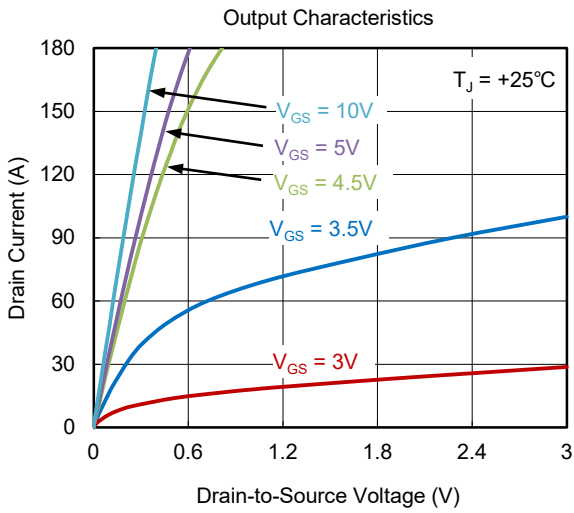
PARAMETER	SYMBOL	VALUE	UNITS
Junction-to-Ambient Thermal Resistance	$R_{\theta JA}$	49	°C/W
Junction-to-Case Thermal Resistance	$R_{\theta JC}$	4.1	°C/W

ELECTRICAL CHARACTERISTICS

(T_A = +25°C, unless otherwise noted.)

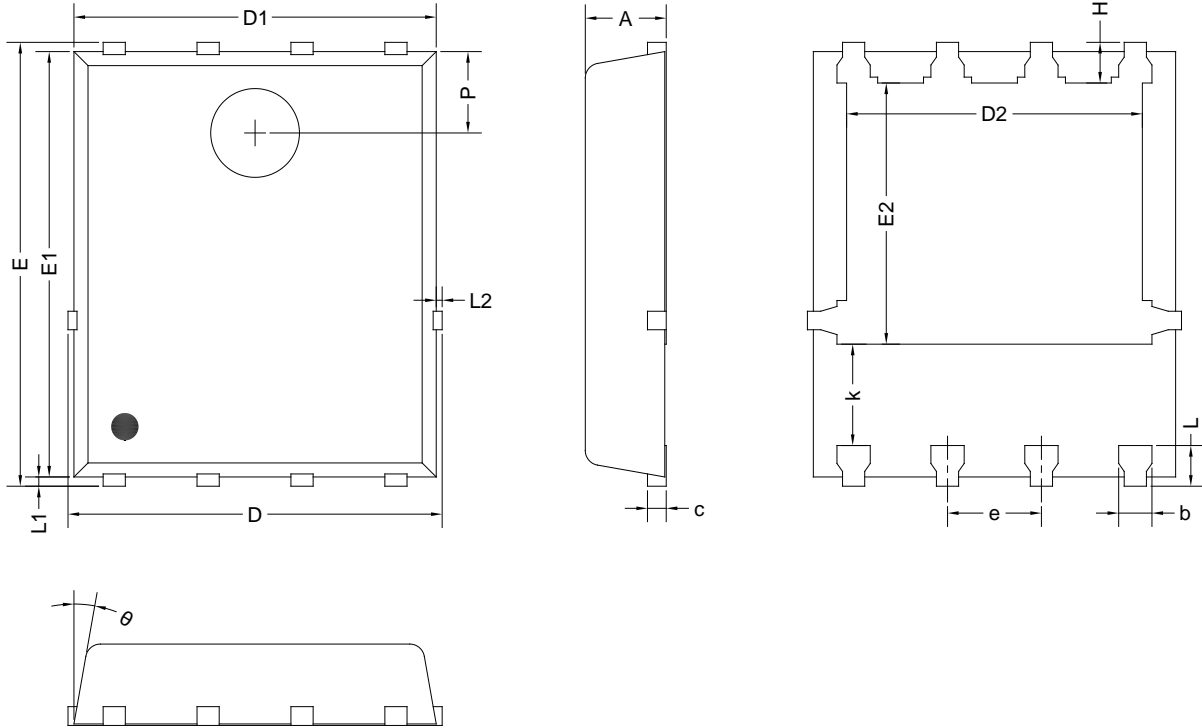
PARAMETER	SYMBOL	CONDITIONS	MIN	TYP	MAX	UNITS
Static OFF Characteristics						
Drain-to-Source Breakdown Voltage	V _{(BR)DSS}	I _D = 250μA, V _{GS} = 0V	30			V
Zero Gate Voltage Drain Current	I _{DSS}	V _{DS} = 24V, V _{GS} = 0V			1	μA
Gate-to-Source Leakage Current	I _{GSS}	V _{GS} = ±20V, V _{DS} = 0V			±100	nA
Static ON Characteristics						
Gate-to-Source Threshold Voltage	V _{GS(TH)}	V _{GS} = V _{DS} , I _D = 250μA	1.2	1.6	2.2	V
Drain-to-Source On-State Resistance	R _{DS(ON)}	I _D = 30A, V _{GS} = 10V		2.1	2.7	mΩ
		I _D = 30A, V _{GS} = 4.5V		3.3	4	
Forward Transconductance	g _{fs}	V _{DS} = 1.5V, I _D = 15A		45		S
Gate Resistance	R _G	V _{GS} = 0V, V _{DS} = 0V, f = 1MHz		1		Ω
Diode Characteristics						
Diode Forward Voltage	V _{F(SD)}	V _{GS} = 0V, I _S = 10A		0.8	1.1	V
Reverse Recovery Time	t _{RR}	I _S = 30A, V _{GS} = 0V, di/dt = 100A/μs		24.1		ns
Reverse Recovery Charge	Q _{RR}				8.7	
Dynamic Characteristics						
Input Capacitance	C _{ISS}	V _{DS} = 15V, V _{GS} = 0V, f = 1MHz		1631		pF
Output Capacitance	C _{OSS}			744		
Reverse Transfer Capacitance	C _{RSS}			52		
Total Gate Charge	Q _G	V _{DS} = 15V, I _D = 30A	V _{GS} = 10V	27.4		nC
			V _{GS} = 4.5V	12.5		
Gate-to-Source Charge	Q _{GS}	V _{DS} = 15V, V _{GS} = 4.5V, I _D = 30A		7.3		nC
Gate-to-Drain Charge	Q _{GD}			4.1		
Switch Characteristics						
Turn-On Delay Time	t _{D(ON)}	V _{DS} = 15V, V _{GS} = 10V, I _D = 15A, R _G = 3Ω		11.1		ns
Rise Time	t _r			56.1		
Turn-Off Delay Time	t _{D(OFF)}			20.3		
Fall Time	t _f			52.3		

TYPICAL PERFORMANCE CHARACTERISTICS



PACKAGE OUTLINE DIMENSIONS

PDFN-5x6-8AL

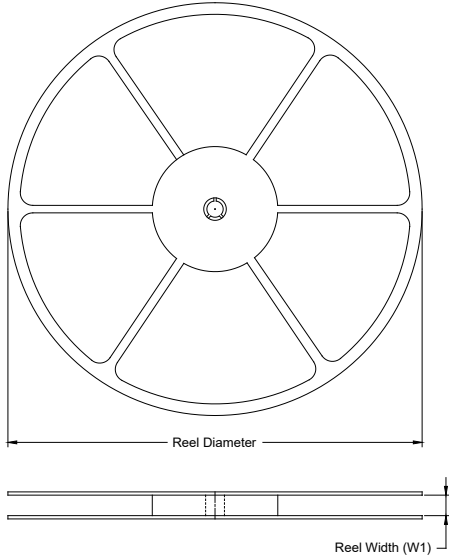


Symbol	Dimensions In Millimeters		
	MIN	MOD	MAX
A	1.000	1.100	1.200
b	0.340	0.450	0.540
c	0.210	0.250	0.340
D	4.800	5.000	5.100
D1	4.800	4.900	5.000
D2	3.900	4.000	4.100
E	5.900	6.000	6.100
E1	5.700	5.750	5.800
E2	3.430	3.530	3.630
e	1.270 BSC		
H	0.450	0.550	0.650
k	1.170	1.370	1.570
L	0.450	0.550	0.650
L1	0.000	0.130	0.200
L2	0.000	0.080	0.150
P	1.000	1.100	1.200
θ	8°	10°	12°

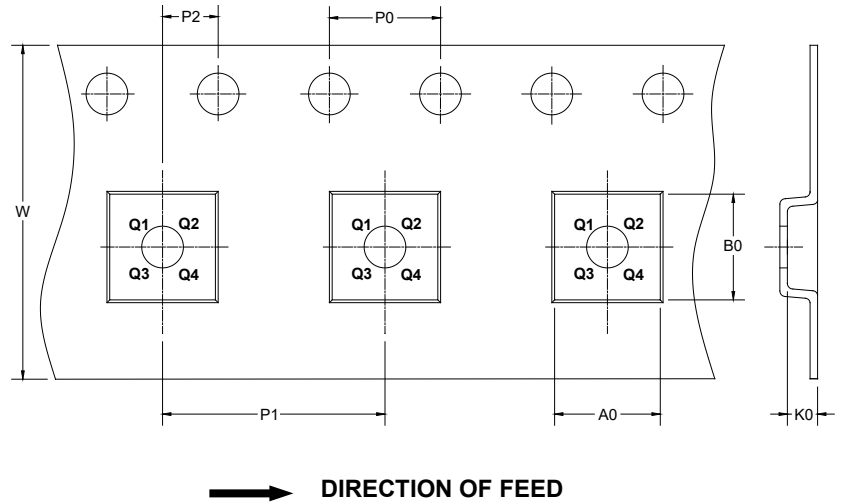
NOTE: This drawing is subject to change without notice.

TAPE AND REEL INFORMATION

REEL DIMENSIONS



TAPE DIMENSIONS



NOTE: The picture is only for reference. Please make the object as the standard.

KEY PARAMETER LIST OF TAPE AND REEL

Package Type	Reel Diameter	Reel Width W1 (mm)	A0 (mm)	B0 (mm)	K0 (mm)	P0 (mm)	P1 (mm)	P2 (mm)	W (mm)	Pin1 Quadrant
PDFN-5×6-8AL	13"	12.4	6.45	5.30	1.40	4.0	8.0	2.0	12.0	Q1

DD0001

PACKAGE INFORMATION

CARTON BOX DIMENSIONS



NOTE: The picture is only for reference. Please make the object as the standard.

KEY PARAMETER LIST OF CARTON BOX

Reel Type	Length (mm)	Width (mm)	Height (mm)	Pizza/Carton
13"	386	280	370	5

DD0002