

4.5V-100V Vin, 1.2A, Synchronous Buck/Iso-Buck Converter

FEATURES

- Wide Input Range: 4.5V-100V
- 1.2A Continuous Output Current
- 1.8A peak current limit
- Integrated 530mΩ High-Side and 220mΩ Low-Side Power MOSFETs
- 15uA Quiescent Current with VCC diode
160uA Quiescent Current without VCC diode
- Selectable PFM, USM and FPWM Operation Modes
- 1.2V ±1% Feedback Reference Voltage at Room Temperature
- 4.3ms Internal Soft-start Time
- Fixed Switching Frequency at 300KHz
- COT Control Mode
- FPWM mode support Iso-buck Topology
- Precision Enable Threshold for Programmable Input Voltage Under-Voltage Lock Out Protection (UVLO) Threshold and Hysteresis
- Cycle-by-Cycle Current Limit
- Over-Voltage Protection
- Over-Temperature Protection
- Available in an ESOP-8 Package

DESCRIPTION

The SCT2A23 is 1.2A Step-down DCDC converter with wide input voltage, ranging from 4.5V to 100V, which integrates an 530mΩ high-side MOSFET and a 220mΩ low-side MOSFET. The SCT2A23, adopting the constant-on time (COT) mode control, supports the PFM mode with typical 160uA low quiescent current which assists the converter on achieving high efficiency at light load or standby condition.

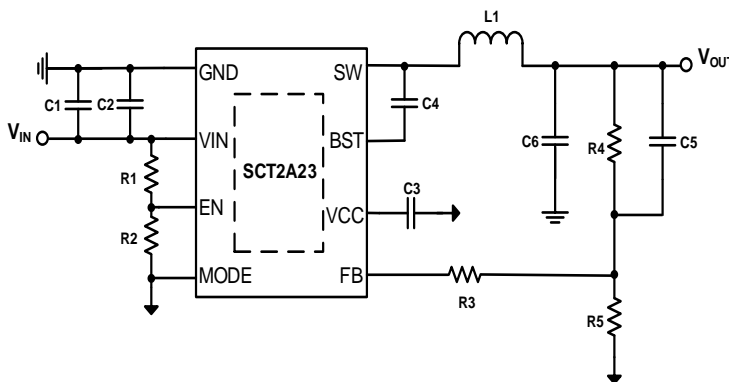
The SCT2A23 features selectable operation mode at light load, which provides the flexibility to select Pulse Frequency Modulation (PFM) to achieve high efficiency at the light-load, Ultrasonic Mode (USM) to keep the switching frequency above audible frequency areas during light-load conditions, and forced Pulse Width Modulation (FPWM) to achieve smaller output ripple and support isolation buck topology.

The SCT2A23 offers cycle-by-cycle current limit protection, thermal shutdown protection, output over-voltage protection and over temperature protection. The device is available in an 8-pin thermally enhanced ESOP-8 package.

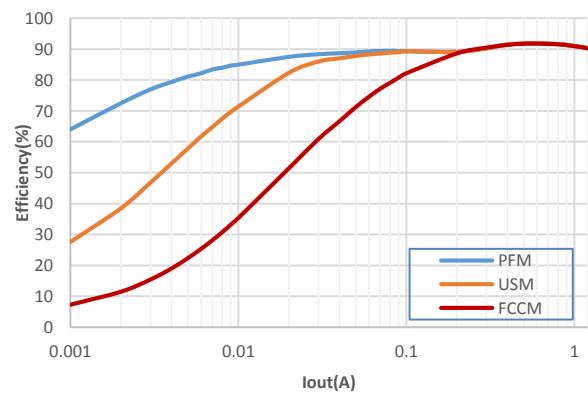
APPLICATIONS

- GPS tracker
- E-bike, Scooter
- BMS

TYPICAL APPLICATION



4.5V-100V,1.2A, Buck Converter



Efficiency, Vin=48V, Vout=12V

SCT2A23

REVISION HISTORY

NOTE: Page numbers for previous revisions may differ from page numbers in the current version.

Revision 1.0: Release to production

DEVICE ORDER INFORMATION

PART NUMBER	PACKAGE MARKING	PACKAGE DISCRIPTION
SCT2A23STE	2A23	8-Lead Plastic ESOP

1) For Tape & Reel, Add Suffix R (e.g. SCT2A23STER).

ABSOLUTE MAXIMUM RATINGS

Over operating free-air temperature unless otherwise noted⁽¹⁾

DESCRIPTION	MIN	MAX	UNIT
VIN, EN	-0.3	105	V
BOOT	-0.3	110	V
SW	-1	105	V
VCC, MODE	-0.3	30	V
BOOT-SW	-0.3	6	V
FB	-0.3	6	V
Operating junction temperature $T_J^{(2)}$	-40	150	°C
Storage temperature TSTG	-65	150	°C

(1) Stresses beyond those listed under Absolute Maximum Rating may cause device permanent damage. The device is not guaranteed to function outside of its Recommended Operation Conditions.

(2) The IC includes over temperature protection to protect the device during overload conditions. Junction temperature will exceed 150°C when over temperature protection is active. Continuous operation above the specified maximum operating junction temperature will reduce lifetime.

PIN CONFIGURATION

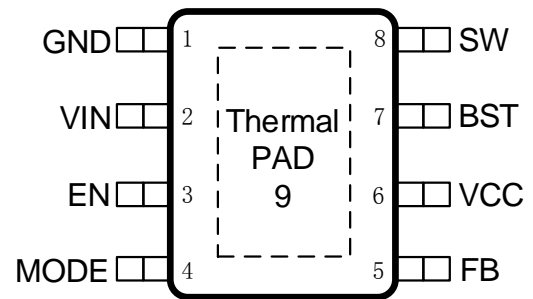


Figure 1. 8-Lead Plastic E-SOP

PIN FUNCTIONS

NAME	NO.	PIN FUNCTION
GND	1	Ground
VIN	2	Input supply voltage. Connect a local bypass capacitor from VIN pin to GND pin. Path from VIN pin to high frequency bypass capacitor and GND must be as short as possible.
EN	3	Enable pin to the regulator with internal pull-up current source. a) Float or connect to VIN or higher than 1.23V to enable the converter. b) Pull below 1.22V to disable the converter. c) Resistor divider from VIN to GND connecting EN pin can adjust the input voltage lockout threshold.
MODE	4	PFM, USM and PWM mode selection. a) Connect the pin to VCC by a resistor (for example 10K) will force the device in Forced Pulse Width Modulation (FPWM mode). b) Ground the pin to operate the device in Pulse Frequency Modulation (PFM mode) c) Floating the pin to operate the device in Ultrasonic Modulation (USM mode).
FB	5	Inverting input of the internal PWM comparator. The tap of external feedback resistor divider from the output to GND sets the output voltage. The device regulates FB voltage to the internal reference value of 1.2V typical.

VCC	6	Output from the Internal High Voltage Regulator. The internal VCC regulator provides bias supply for the gate drivers and other internal circuitry. A larger than 1.0 μ F decoupling capacitor is needed, recommended 2.2 μ F.
BST	7	Power supply bias for high-side power MOSFET gate driver. Connect a 0.1 μ F capacitor from BOOT pin to SW pin. Bootstrap capacitor is charged when low-side power MOSFET is on or SW voltage is low.
SW	8	Regulator switching output. Connect SW to an external power inductor
Thermal Pad	9	Heat dissipation path of die. Electrically connection to GND pin. Must be connected to ground plane on PCB for proper operation and optimized thermal performance.

RECOMMENDED OPERATING CONDITIONS

Over operating free-air temperature range unless otherwise noted

PARAMETER	DEFINITION	MIN	MAX	UNIT
V _{IN}	Input voltage range	4.5	100	V
V _{OUT}	Output voltage range	1.2	30	V
T _J	Operating junction temperature	-40	125	°C

ESD RATINGS

PARAMETER	DEFINITION	MIN	MAX	UNIT
V _{ESD}	Human Body Model(HBM), per ANSI-JEDEC-JS-001-2014 specification, all pins ⁽¹⁾	-1	+1	kV
	Charged Device Model(CDM), per ANSI-JEDEC-JS-002-2014 specification, all pins ⁽²⁾	-1	+1	kV

(1) JEDEC document JEP155 states that 500V HBM allows safe manufacturing with a standard ESD control process.

(2) JEDEC document JEP157 states that 250V CDM allows safe manufacturing with a standard ESD control process.

THERMAL INFORMATION

PARAMETER	THERMAL METRIC	ESOP-8L	UNIT
R _{θJA}	Junction to ambient thermal resistance ⁽¹⁾	41.1	°C/W
R _{θJC}	Junction to case thermal resistance ⁽¹⁾	37.3	
R _{θJB}	Junction to board thermal resistance	30.6	

- (1) SCT provides R_{θJA} and R_{θJC} numbers only as reference to estimate junction temperatures of the devices. R_{θJA} and R_{θJC} are not a characteristic of package itself, but of many other system level characteristics such as the design and layout of the printed circuit board (PCB) on which the SCT2A23 is mounted, thermal pad size, and external environmental factors. The PCB board is a heat sink that is soldered to the leads and thermal pad of the SCT2A23. Changing the design or configuration of the PCB board changes the efficiency of the heat sink and therefore the actual R_{θJA} and R_{θJC}.

SCT2A23

ELECTRICAL CHARACTERISTICS

V_{IN}=48V, T_J=-40°C~125°C, typical value is tested under 25°C.

SYMBOL	PARAMETER	TEST CONDITION	MIN	TYP	MAX	UNIT
Power Supply						
V _{IN}	Operating input voltage		4.5		100	V
V _{CC}	V _{CC} Regulator Output			7.3		V
V _{CC_UVLO}	V _{CC} UVLO Threshold Hysteresis	V _{IN} rising		4.1 220	4.48	V mV
I _{VCC_LIM}	V _{CC} internal LDO current limit	V _{CC} short to ground		30		mA
I _{SHDN}	Shutdown current from VIN pin	EN=0, no load		3	8	μA
I _Q	Quiescent current from VIN pin	PFM mode, EN floating, no load, non-switching, BOOT-SW=5V Force VCC>8V		15	30	μA
		PFM mode, EN floating, no load, non- switching, BOOT-SW=5V VCC floating		160	250	uA
Power MOSFETs						
R _{DSON_H}	High-side MOSFET on-resistance	V _{BOOT} -V _{SW} =5V		530	950	mΩ
R _{DSON_L}	Low-side MOSFET on-resistance			220	450	mΩ
Reference and Control Loop						
V _{REF}	Reference voltage of FB	T _J =25°C	1.188	1.2	1.212	V
		T _J =-40°C~125°C	1.178	1.2	1.222	V
Enable and Soft-startup						
V _{EN_H}	Enable high threshold			1.23		V
V _{EN_L}	Enable low threshold			1.22		V
V _{EN_HYS}	Enable hysteresis threshold			10		mV
I _{EN_L}	Enable pin current	EN=0V		0.35		μA
I _{EN_H}	Enable pin current	EN=1.5V		17		uA
T _{ss}	Internal soft start time			4.3		ms
Switching Frequency Timing						
F _{SW}	Switching frequency	V _{OUT} =12V	270	300	330	kHz
T _{OFF_MIN}	Minimum off-time	V _{IN} =12V		200		ns
Operation Mode						
V _{MD_PWM}	PWM mode input logic high threshold	V _{CC} floating	4.65			V
V _{MD_USM}	PFM mode with USM logic threshold		1.5		3.5	V
V _{MD_PFM}	PFM mode input logic low threshold				0.5	V
Current Limit and Over Current Protection						
I _{LIM_HS}	HS MOSFET current limit		1.6	1.8	2	A
I _{LIM_LS}	LS MOSFET current limit	From source to drain		1.3		A
I _{zc}	LS zero cross current threshold	From source to drain for PSM mode		75		mA

SYMBOL	PARAMETER	TEST CONDITION	MIN	TYP	MAX	UNIT
I _{LIM_LSROC}	LS reverse current limit	From drain to source for FCCM mode		3.5		A
Protection						
V _{OVP}	Feedback overvoltage with respect to reference voltage	V _{FB} /V _{REF} rising		120		%
		V _{FB} /V _{REF} falling		115		%
V _{UVP}	Feedback under voltage with respect to reference voltage	V _{FB} /V _{REF} rising		80		%
		V _{FB} /V _{REF} falling		75		%
T _{SD}	Thermal shutdown threshold*	T _J rising		173		°C
		Hysteresis		25		°C

*Derived from bench characterization

TYPICAL CHARACTERISTICS

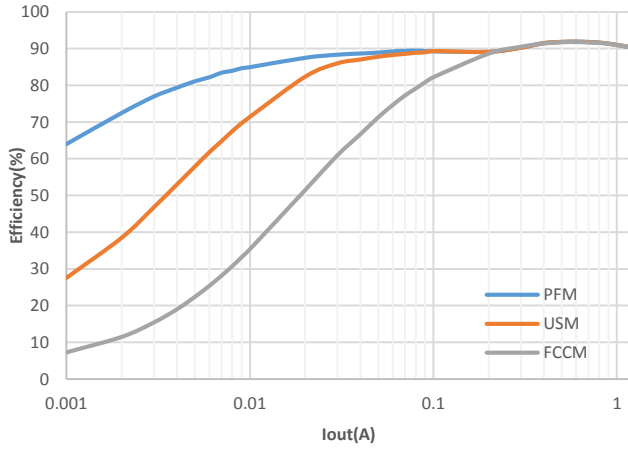


Figure 2. Efficiency, Vin=48V, Vout=12V

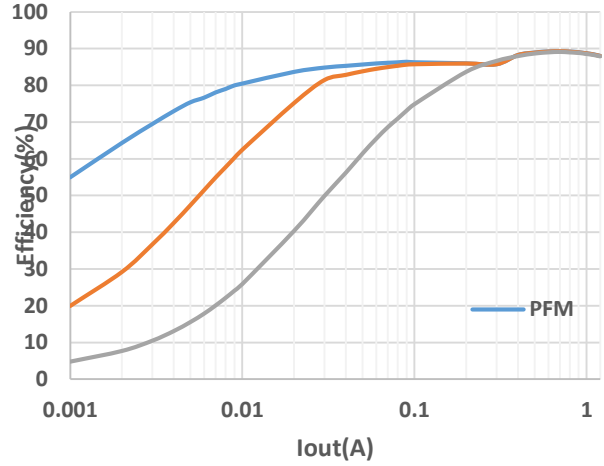


Figure 3. Efficiency, Vin=72V, Vout=12V

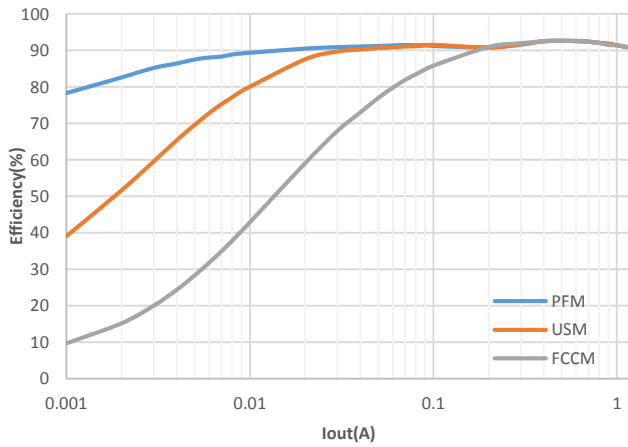


Figure 4. Efficiency with VCC diode, Vin=48V, Vout=12V

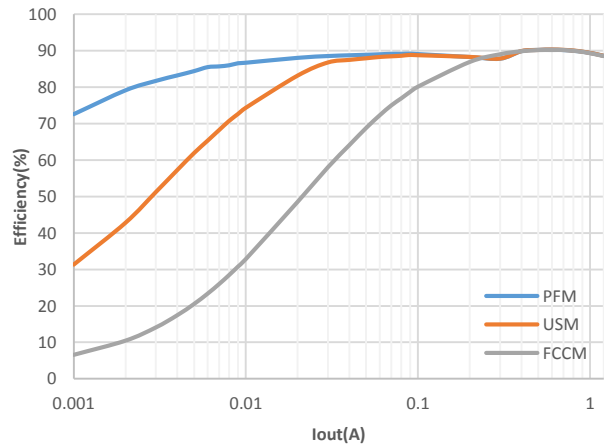


Figure 5. Efficiency with VCC diode, Vin=72V, Vout=12V

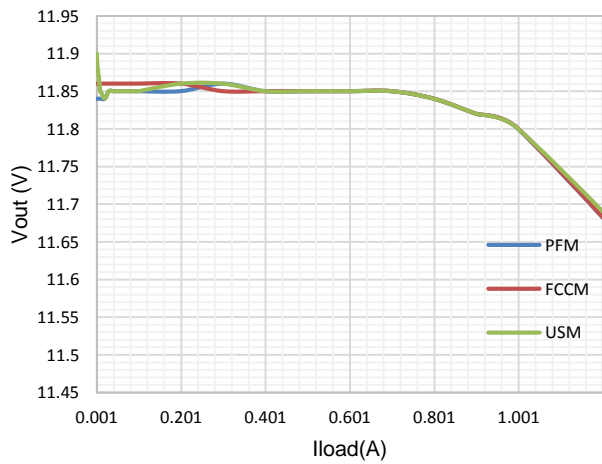


Figure 6. Load Regulation, Vin=48V, Vout=12V

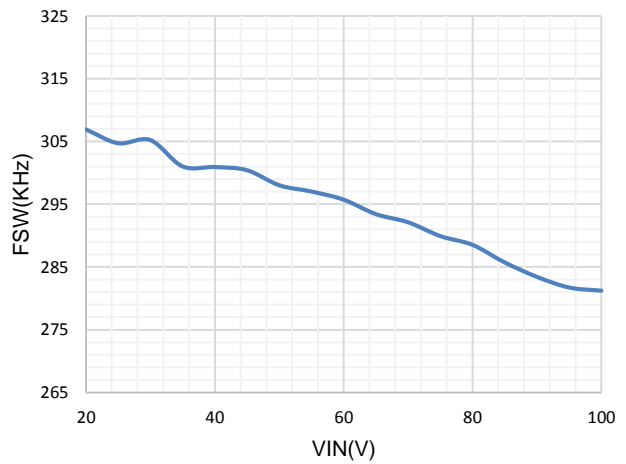


Figure 7. Switching Frequency VS Vin, Vout=12V

FUNCTIONAL BLOCK DIAGRAM

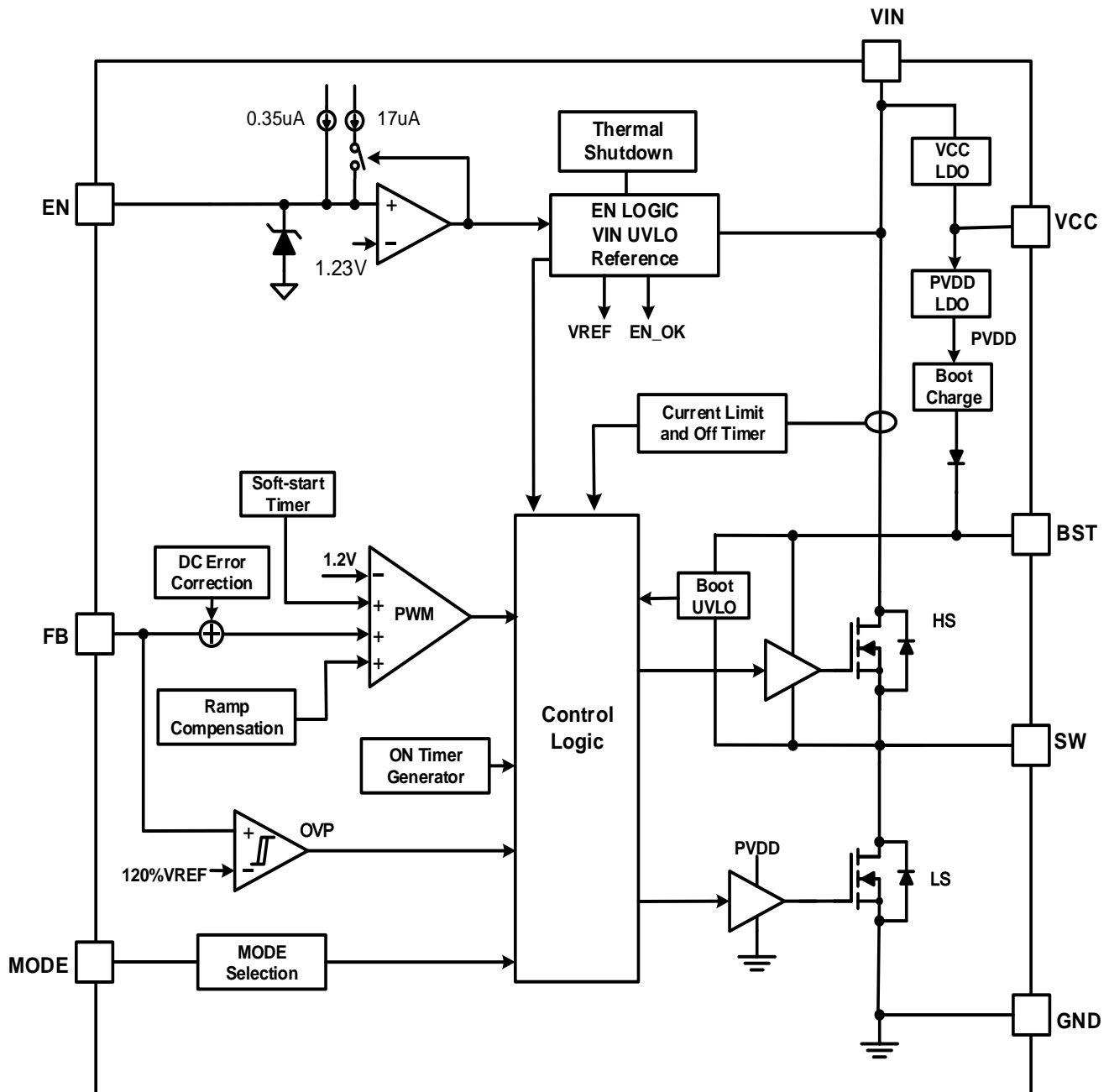


Figure 8. Functional Block Diagram

SCT2A23

OPERATION

Overview

The SCT2A23 is a 4.5V-100V input, 1.2A output, Step-down DCDC converter with built-in 530mΩ R_{ds(on)} high-side and 220mΩ R_{ds(on)} low-side power MOSFETs. It implements constant on time control to regulate output voltage, providing excellent line and load transient response, and internal error amplifier also could improve the line/load regulation.

The device features three different operation modes at light loading: Pulse Frequency Modulation (PFM) mode, Ultra-Sonic Modulation (USM) mode and force Pulse Width Modulation (FPWM). In PFM mode, SCT2A23 provides high light load efficiency, because SCT2A23 design sleep control at light load for improve efficiency. In USM SCT2A23 keeps the switching frequency above audible frequency areas to avoid audible noise. In FPWM SCT2A23 achieves low output ripple and support Iso-buck topology.

The SCT2A23 features an internal 4.3ms soft-start time to avoid large inrush current and output voltage overshoot during startup. The switching frequency is fixed at 300KHz. The device also supports monolithic startup with pre-biased output condition for PSM mode and USM mode.

The SCT2A23 has a default input start-up voltage of 4.1V with 220mV hysteresis. The EN pin is a high-voltage pin with a precision threshold that can be used to adjust the input voltage lockout thresholds with two external resistors to meet accurate higher UVLO system requirements. Floating EN pin enables the device with the internal pull-up current to the pin. Connecting EN pin to VIN directly or by a resistor will start up the device automatically.

The SCT2A23 full protection features include the VCC input under-voltage lockout, the output over-voltage protection, over current protection with cycle-by-cycle current limit, output hard short protection and thermal shutdown protection.

Constant On-Time Mode Control

The SCT2A23 employs constant on-time (COT) Mode control providing fast transient with pseudo fixed switching frequency. At the beginning of each switching cycle, since the feedback voltage (VFB) is lower than the internal reference voltage (VREF), the high-side MOSFET (Q1) is turned on during one on-time and the inductor current rises to charge up the output voltage. The on-time is determined by the input voltage and output voltage. After the on-time, the high-side MOSFET (Q1) turns off and the low-side MOSFET (Q2) turns on after dead time duration. The inductor current drops and the output capacitors are discharged. When the output voltage decreases and the VFB decreased below the VREF or SS, the Q1 turns on again after another dead time duration. This repeats on cycle-by-cycle.

The SCT2A23 works with an internal compensation, so customer could use the device easily, but adding feedforward cap Cf also provides flexibility for optimizing the loop stability and transient response.

Enable and Under Voltage Lockout Threshold

The SCT2A23 is enabled when the VCC pin voltage rises about 4.1V and the EN pin voltage exceeds the enable threshold of 1.23V. The device is disabled when the VCC pin voltage falls below 3.88V or when the EN pin voltage is below 1.22V. Internal pull up current source to EN pin allows the device enable when EN pin floats.

EN pin is a high voltage pin that can be connected to VIN directly or by a resistor to start up the device.

For a higher system UVLO threshold, connect an external resistor divider (R3 and R4) shown in Figure 7 from VIN to EN. The UVLO rising and falling threshold can be calculated by Equation 1 and Equation 2 respectively.

$$VIN_{rise} = VEN * \frac{R3 + R4}{R4} \tag{1}$$

$$VIN_{hys} = I2 * R3 \tag{2}$$

Where

VIN_rise: Vin rise threshold to enable the device

VIN_hys: Vin hysteresis threshold

I1=0.35uA : neglect in calculation

I2=17uA

VEN=1.23V, assume VEN_r = VEN_f =1.23V

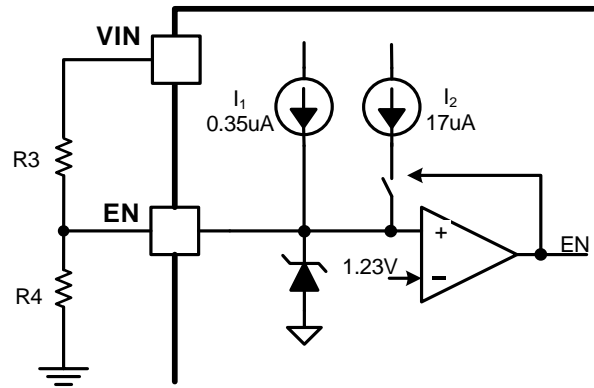


Figure 9. System UVLO by enable divide

Output Voltage

The SCT2A23 regulates the internal reference voltage at 1.2V with ±1% tolerance at room temperature. The output voltage is set by a resistor divider from the output node to the FB pin. It is recommended to use 1% tolerance or better resistors. Use Equation 3 to calculate resistance of resistor dividers. To improve efficiency at light loads, larger value resistors are recommended. However, if the values are too high, the regulator will be more susceptible to noise affecting output voltage accuracy.

$$R_{FB_TOP} = \left(\frac{V_{OUT}}{V_{REF}} - 1 \right) * R_{FB_BOT} \tag{3}$$

where

- R_{FB_TOP} is the resistor connecting the output to the FB pin.
- R_{FB_BOT} is the resistor connecting the FB pin to the ground.

Internal Soft-Start

The SCT2A23 integrates an internal soft-start circuit that ramps the reference voltage from zero volts to 1.2V reference voltage in 4.3ms. If the EN pin is pulled below 1.23V, switching stops and the internal soft-start resets. The soft-start also resets during shutdown due to thermal overloading.

Mode Selection

The SCT2A23 features three different operation modes at light load by easily programming the MODE pin. The programming information is listed in following table. The mode setting is latched at each power up or enable and is not be able to be modified during operation.

Table 1. MODE Pin config for different operation mode

MODE Pin config	Connect to VCC by a resistor	Floating	Connect to GND
Operation Mode	FPWM	USM	PFM

Bootstrap Voltage Regulator

An external bootstrap capacitor between BOOT pin and SW pin powers the floating gate driver to high-side power MOSFET. The bootstrap capacitor voltage is charged from an integrated voltage regulator when high-side power MOSFET is off and low-side power MOSFET is on.

SCT2A23

Over Current Limit

The inductor current is monitored during high-side MOSFET turn on. The SCT2A23 implements over current protection with cycle-by-cycle limiting high-side MOSFET peak current during unexpected overload or output hard short condition.

SCT2A23 also provide a HS current limit off timer for making the IC safer when trigger over current condition. Once trigger HS over current, the present on-time period is immediately terminated, and will force LS turn on a non-resettable off timer for avoiding the inductor current run away. The length of off time is controlled by FB voltage and VIN voltage and could be calculated by the following equation.

$$T_{off} = 1.5 * \left(\frac{V_{IN}}{20 * V_{FB} + 4.35} \right) \mu s \quad (4)$$

Over voltage Protection

The SCT2A23 implements the Over-voltage Protection OVP circuitry to minimize output voltage overshoot during load transient, recovering from output fault condition or light load transient. The overvoltage comparator in OVP circuit compares the FB pin voltage to the internal reference voltage. When FB voltage exceeds 120% of internal 1.2V reference voltage, the high-side MOSFET turns off to avoid output voltage continue to increase, and low-side MOSFET will turn on to discharge the output voltage. When the FB pin voltage falls below 115% of the 1.2V reference voltage, the high-side MOSFET can turn on again.

Thermal Shutdown

The SCT2A23 protects the device from the damage during excessive heat and power dissipation conditions. Once the junction temperature exceeds 173°C, the internal thermal sensor stops power MOSFETs switching. When the junction temperature falls below 148°C, the device restarts with internal soft start phase.

APPLICATION INFORMATION

Typical Application1

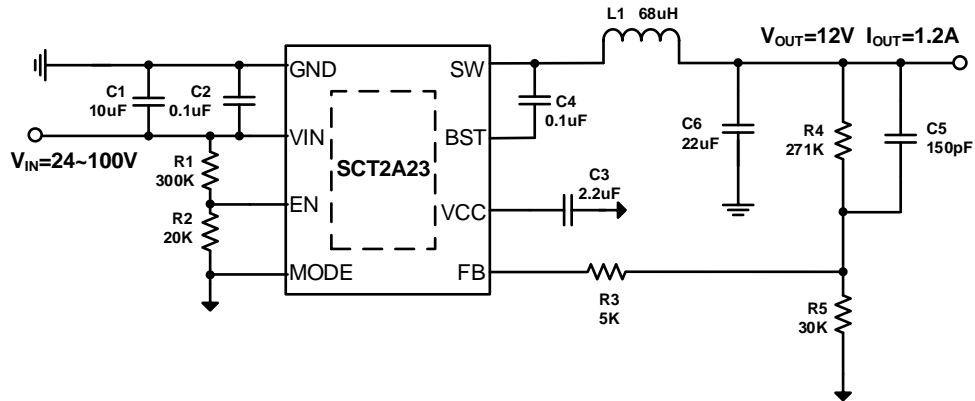


Figure 10. SCT2A23 Design Example, 12V Output with Programmable UVLO, PSM Mode

Design Parameters

Design Parameters	Example Value
Input Voltage	48V Normal, 24V to 100V
Output Voltage	12V
Output Current	1.2A
Switching Frequency	300 KHz
Output voltage ripple (peak to peak)	30mV
Transient Response 120mA to 1.08A load step	$\Delta V_{out} = 200mV$
Transient Response 300mA to 900mA load step	$\Delta V_{out} = 180mV$

SCT2A23

Typical Application2: Low Iq application

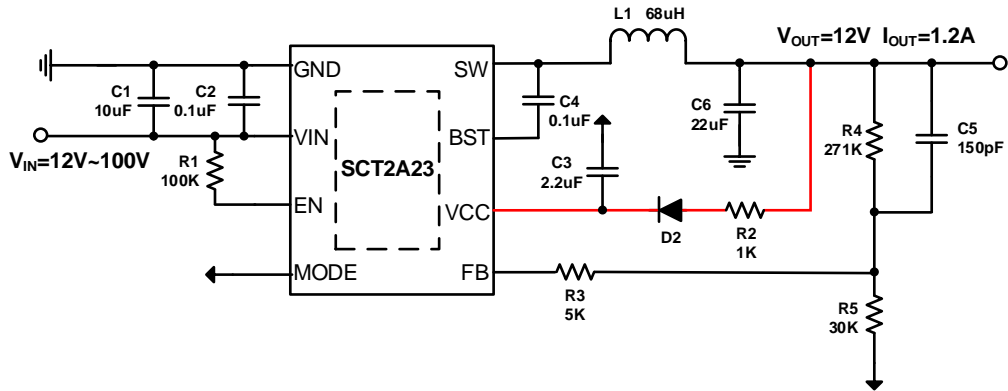


Figure 11. SCT2A23 Design Example, 12V Output with VCC diode, PSM Mode and Low Iq application

Design Parameters

Design Parameters	Example Value
Input Voltage	48V Normal, 24V to 100V
Output Voltage	12V
Output Current	1.2A
Switching Frequency	300 KHz
Output voltage ripple (peak to peak)	30mV
Transient Response 120mA to 1.08A load step	$\Delta V_{out} = 300\text{mV}$
Transient Response 300mA to 900mA load step	$\Delta V_{out} = 180\text{mV}$

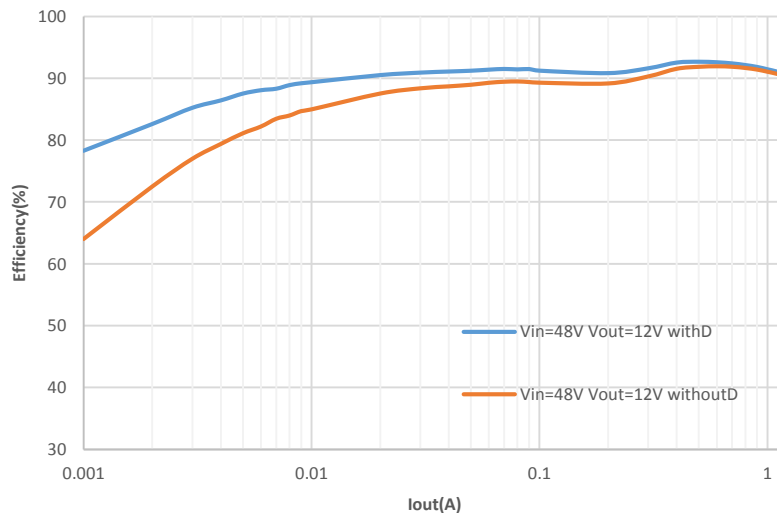


Figure 12. Efficiency, with VCC diode vs without VCC diode in PFM Mode

Output Voltage

The output voltage is set by an external resistor divider R4 and R5 in typical application schematic. Recommended R5 resistance is 30KΩ. Use equation 5 to calculate R4.

$$R_4 = \left(\frac{V_{OUT}}{V_{REF}} - 1 \right) * R_5 \quad (5)$$

where:

- V_{REF} is the feedback reference voltage of 1.2V

Table 1. R₁, R₂ Value for Common Output Voltage (Room Temperature)

V _{OUT}	R ₄	R ₅
5 V	95 KΩ	30 KΩ
12V	271 KΩ	30 KΩ
24V	576 KΩ	30 KΩ

Under Voltage Lock-Out

An external voltage divider network of R₃ from the input to EN pin and R₄ from EN pin to the ground can set the input voltage's Under Voltage Lock-Out (UVLO) threshold. The UVLO has two thresholds, one for power up when the input voltage is rising and the other for power down or brown outs when the input voltage is falling. For the example design, the supply should turn on and start switching once the input voltage increases above 19.68V (start or enable). After the regulator starts switching, it should continue to do so until the input voltage falls below 14.58V (stop or disable). Use Equation 6 and Equation 7 to calculate the values 300 kΩ and 20 kΩ of R₁ and R₂ resistors.

$$VIN_{rise} = V_{EN_H} * \frac{R1 + R2}{R2} \quad (6)$$

$$VIN_hys = I2 * R1 \quad (7)$$

Where

VIN_{rise}: Vin rise threshold to enable the device

VIN_{hys}: Vin hysteresis threshold

I2=17uA

V_{EN_H}=1.23V

Inductor Selection

There are several factors should be considered in selecting inductor such as inductance, saturation current, the RMS current and DC resistance(DCR). Larger inductance results in less inductor current ripple and therefore leads to lower output voltage ripple. However, the larger value inductor always corresponds to a bigger physical size, higher series resistance, and lower saturation current. A good rule for determining the inductance to use is to allow the inductor peak-to-peak ripple current to be approximately 20%~40% of the maximum output current.

The peak-to-peak ripple current in the inductor I_{LPP} can be calculated as in Equation 8.

$$I_{LPP} = \frac{V_{OUT} * (V_{IN} - V_{OUT})}{V_{IN} * L * f_{SW}} \quad (8)$$

Where

- I_{LPP} is the inductor peak-to-peak current
- L is the inductance of inductor
- f_{SW} is the switching frequency
- V_{OUT} is the output voltage
- V_{IN} is the input voltage

SCT2A23

Since the inductor-current ripple increases with the input voltage, so the maximum input voltage in application is always used to calculate the minimum inductance required. Use Equation 9 to calculate the inductance value.

$$L_{MIN} = \frac{V_{OUT}}{f_{SW} * LIR * I_{OUT(max)}} * \left(1 - \frac{V_{OUT}}{V_{IN(max)}}\right) \quad (9)$$

Where

- L_{MIN} is the minimum inductance required
- f_{sw} is the switching frequency
- V_{OUT} is the output voltage
- $V_{IN(max)}$ is the maximum input voltage
- $I_{OUT(max)}$ is the maximum DC load current
- LIR is coefficient of I_{LPP} to I_{OUT}

The total current flowing through the inductor is the inductor ripple current plus the output current. When selecting an inductor, choose its rated current especially the saturation current larger than its peak operation current and RMS current also not be exceeded. Therefore, the peak switching current of inductor, I_{LPEAK} and I_{LRMS} can be calculated as in equation 10 and equation 11.

$$I_{LPEAK} = I_{OUT} + \frac{I_{LPP}}{2} \quad (10)$$

$$I_{LRMS} = \sqrt{(I_{OUT})^2 + \frac{1}{12} * (I_{LPP})^2} \quad (11)$$

Where

- I_{LPEAK} is the inductor peak current
- I_{OUT} is the DC load current
- I_{LPP} is the inductor peak-to-peak current
- I_{LRMS} is the inductor RMS current

In overloading or load transient conditions, the inductor peak current can increase up to the switch current limit of the device which is typically 1.8A. The most conservative approach is to choose an inductor with a saturation current rating greater than 1.8A. Because of the maximum I_{LPEAK} limited by device, the maximum output current that the SCT2A23 can deliver also depends on the inductor current ripple. Thus, the maximum desired output current also affects the selection of inductance. The smaller inductor results in larger inductor current ripple leading to a lower maximum output current.

Input Capacitor Selection

The input current to the step-down DCDC converter is discontinuous, therefore it requires a capacitor to supply the AC current to the step-down DCDC converter while maintaining the DC input voltage. Use capacitors with low ESR for better performance. Ceramic capacitors with X5R or X7R dielectrics are usually suggested because of their low ESR and small temperature coefficients, and it is strongly recommended to use another lower value capacitor (e.g. 0.1uF) with small package size (0603) to filter high frequency switching noise. Place the small size capacitor as close to V_{IN} and GND pins as possible.

The voltage rating of the input capacitor must be greater than the maximum input voltage. And the capacitor must also have a ripple current rating greater than the maximum input current ripple. The RMS current in the input capacitor can be calculated using Equation 13.

$$I_{CINRMS} = I_{OUT} * \sqrt{\frac{V_{OUT}}{V_{IN}} * \left(1 - \frac{V_{OUT}}{V_{IN}}\right)} \quad (12)$$

The worst case condition occurs at $V_{IN}=2*V_{OUT}$, where:

$$I_{CINRMS} = 0.5 * I_{OUT} \tag{13}$$

For simplification, choose an input capacitor with an RMS current rating greater than half of the maximum load current.

When selecting ceramic capacitors, it needs to consider the effective value of a capacitor decreasing as the DC bias voltage across a capacitor increasing.

The input capacitance value determines the input ripple voltage of the regulator. The input voltage ripple can be calculated using Equation 15 and the maximum input voltage ripple occurs at 50% duty cycle.

$$\Delta V_{IN} = \frac{I_{OUT}}{f_{SW} * C_{IN}} * \frac{V_{OUT}}{V_{IN}} * (1 - \frac{V_{OUT}}{V_{IN}}) \tag{14}$$

For this example, one 10µF, X7R ceramic capacitors rated for 100 V in parallel are used. And a 0.1 µF for high-frequency filtering capacitor is placed as close as possible to the device pins.

Bootstrap Capacitor Selection

A 0.1µF ceramic capacitor must be connected between BOOT pin and SW pin for proper operation. A ceramic capacitor with X7R or better grade dielectric is recommended. The capacitor should have a 10V or higher voltage rating.

Output Capacitor Selection

The selection of output capacitor will affect output voltage ripple in steady state and load transient performance.

The output ripple is essentially composed of two parts. One is caused by the inductor current ripple going through the Equivalent Series Resistance ESR of the output capacitors and the other is caused by the inductor current ripple charging and discharging the output capacitors. To achieve small output voltage ripple, choose a low-ESR output capacitor like ceramic capacitor. For ceramic capacitors, the capacitance dominates the output ripple. For simplification, the output voltage ripple can be estimated by Equation 16 desired.

$$\Delta V_{OUT} = \frac{V_{OUT} * (V_{IN} - V_{OUT})}{8 * f_{SW}^2 * L * C_{OUT} * V_{IN}} \tag{15}$$

Where

- ΔV_{OUT} is the output voltage ripple
- f_{SW} is the switching frequency
- L is the inductance of inductor
- C_{OUT} is the output capacitance
- V_{OUT} is the output voltage
- V_{IN} is the input voltage

Due to capacitor's degrading under DC bias, the bias voltage can significantly reduce capacitance. Ceramic capacitors can lose most of their capacitance at rated voltage. Therefore, leave margin on the voltage rating to ensure adequate effective capacitance. Typically, one 22µF ceramic output capacitors work for most applications. Table 2 lists typical values of external components for some standard output voltages.

Table 2: Component List with Typical Output Voltage BOM list

Vout	L1	COUT	R4	R5	C5
5V	33uH	22uF	95K	30K	68pF
12V	68uH	22uF	271K	30K	150pF
24V	100uH	22uF	576k	30K	220pF

Application Waveforms

Vin=48V, Vout=12V, unless otherwise noted

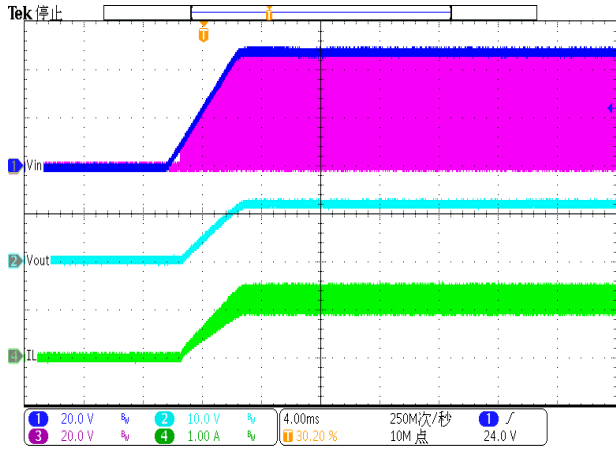


Figure 13. Power up (Iload=1.2A)

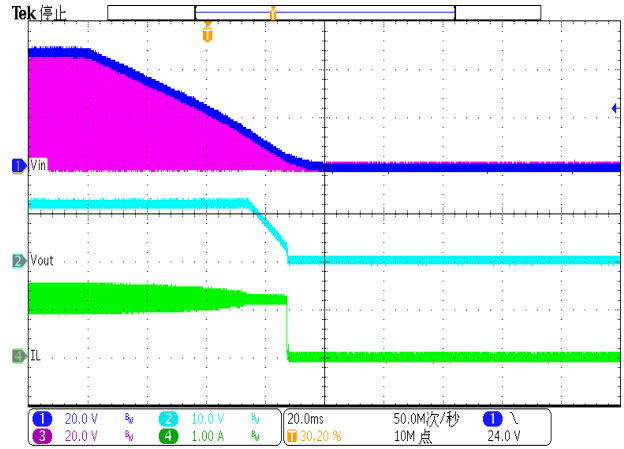


Figure 14. Power down (Iload=1.2A)

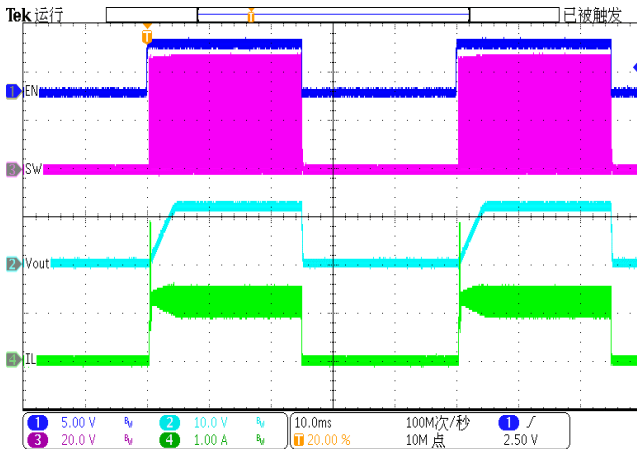


Figure 15. Enable toggle (Iload=1.2A)

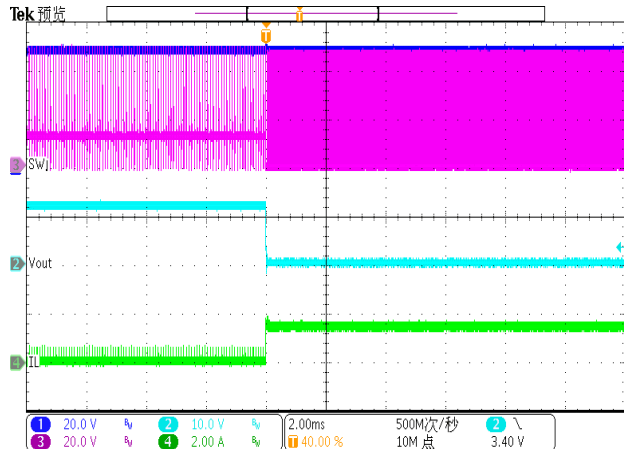


Figure 16. Output Hard Short Protection

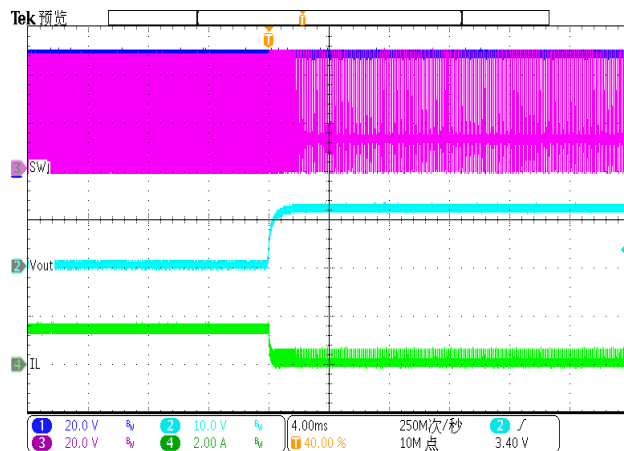


Figure 17. Output Hard Short Release

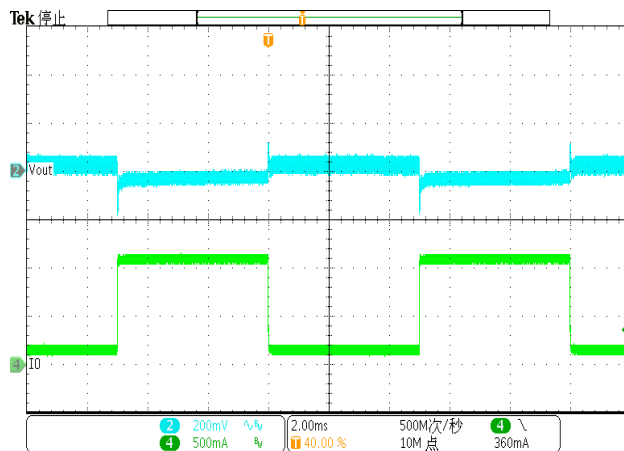


Figure 18. Load Transient (0.12A to 1.08A, 1.6A/us)

Application Waveforms (Continued)

Vin=48V, Vout=12V, unless otherwise noted

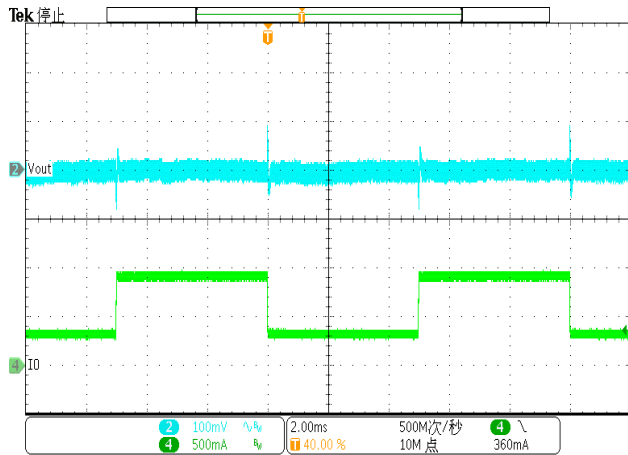


Figure 19. Load Transient 0.3A to 0.9A (1.6A/us)

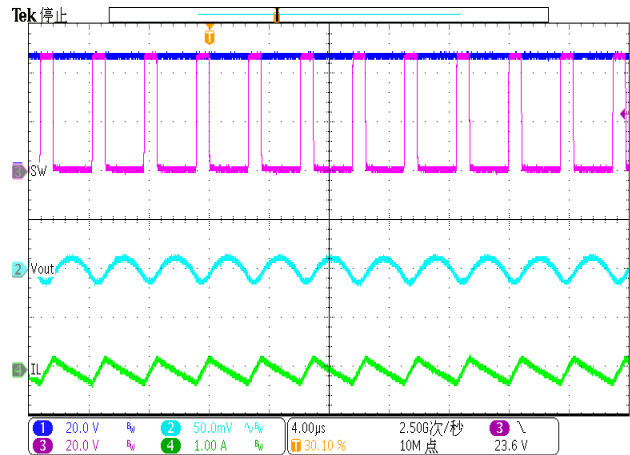


Figure 20. Output Ripple (Iload=0A, FCCM)

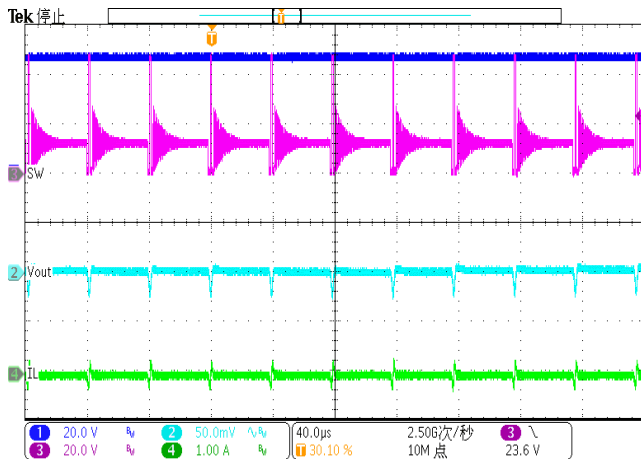


Figure 21. Output Ripple (Iload=0A, USM)

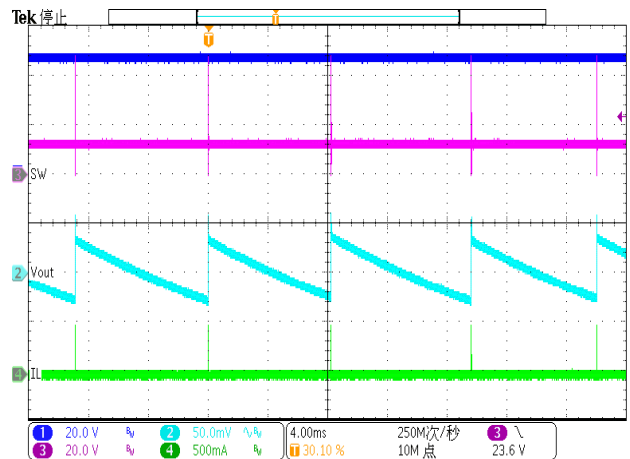


Figure 22. Output Ripple (Iload=0A, PFM)

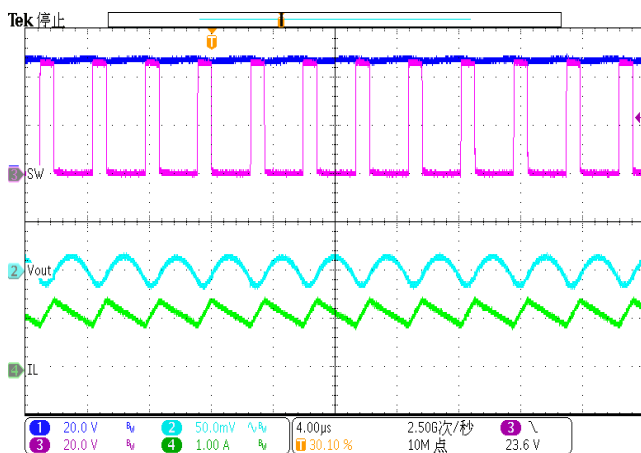


Figure 23. Output Ripple (Iload=1.2A)

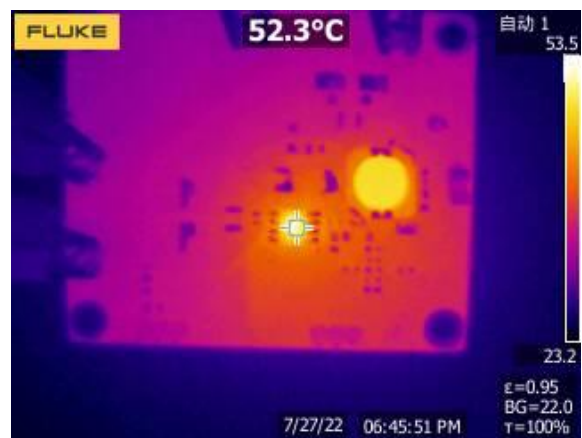


Figure 24. Thermal, 48VIN, 12Vout, 1.2A

SCT2A23

Typical Application3: Iso-Buck Application

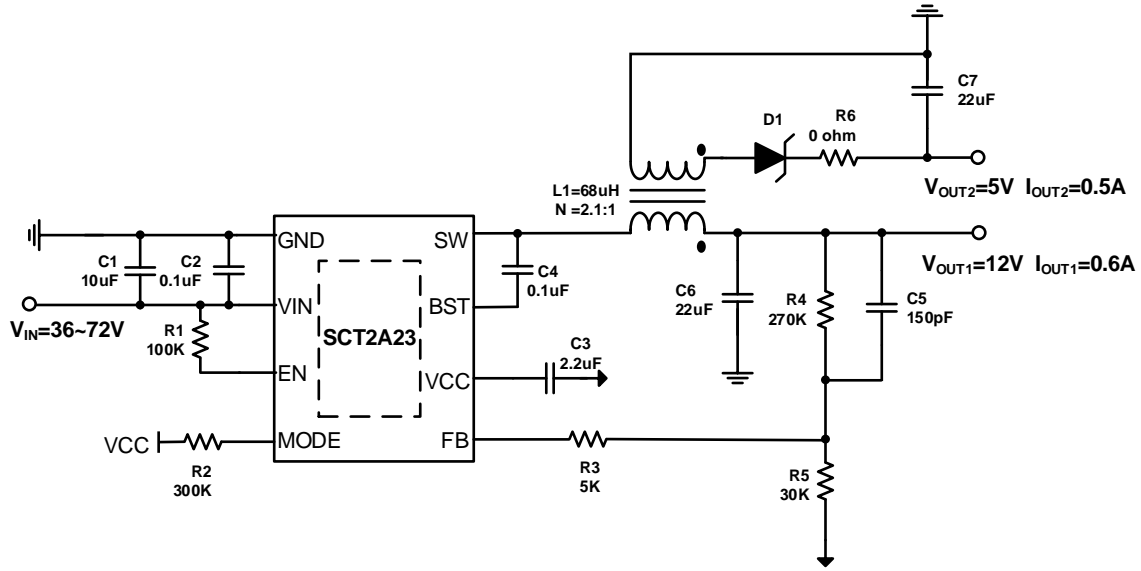


Figure 25. SCT2A23 Design Example, Iso-BUCK application with 5V isolation Output

Design Parameters

Design Parameters	Example Value
Input Voltage	48V Normal, 36V to 72V
Output Voltage	12V/5V
Maximum Output Current	I _{out1} =0.6A/I _{out2} =0.5A
Voltage drop of VD1	0.7V
Inductor /Transformer Turns Ratio (N)	L1=68uH /N=2.1:1
Switching Frequency	300 KHz

Design of Iso-BUCK

Selection of VOUT and Turns Ratio

The primary output voltage in a Iso-Buck converter should be no more than one half of the minimum input voltage. For example, at the minimum V_{IN} of 36 V, the primary output voltage (V_{OUT1}) should be no higher than 18V. The isolated output voltage V_{OUT2} is set by selecting a transformer with a turns ratio ($N_1:N_2 = N_{PRI}:N_{SEC}$). Using this turns ratio, the required primary output voltage V_{OUT1} is calculated by the following equation:

$$V_{out1} = \frac{V_{out2} + V_{d1}}{N_2/N_1} \quad (16)$$

The 0.7 V (V_{d1}) represents the forward voltage drop of the secondary rectifier diode. By setting the primary output voltage V_{OUT1} by selecting the correct feedback resistors, the secondary voltage is regulated at V_{OUT2} nominally. Adjustment of the primary side V_{OUT1} may be required to compensate for voltage errors due to the leakage inductance of the transformer, the resistance of the transformer windings, the diode drop in the power path on the secondary side.

Secondary Rectifier Diode

The secondary side rectifier diode must block the maximum input voltage reflected at secondary side switch node. The minimum diode reverse voltage V_{RD1} rating is given below

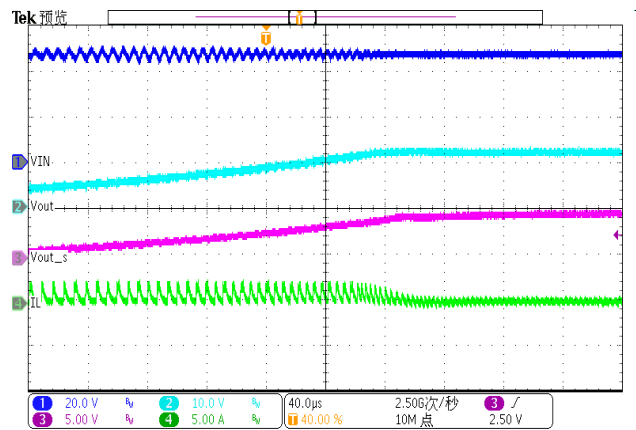
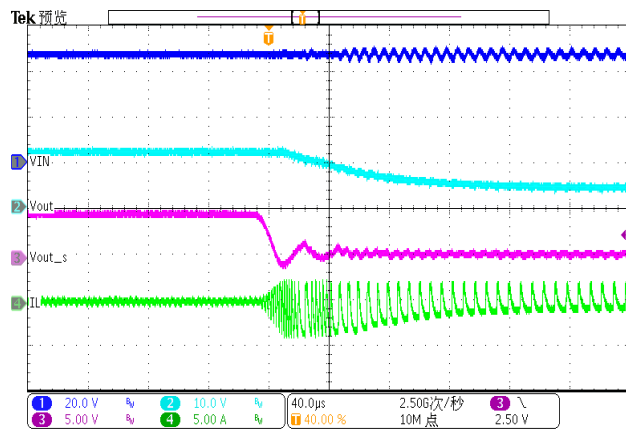
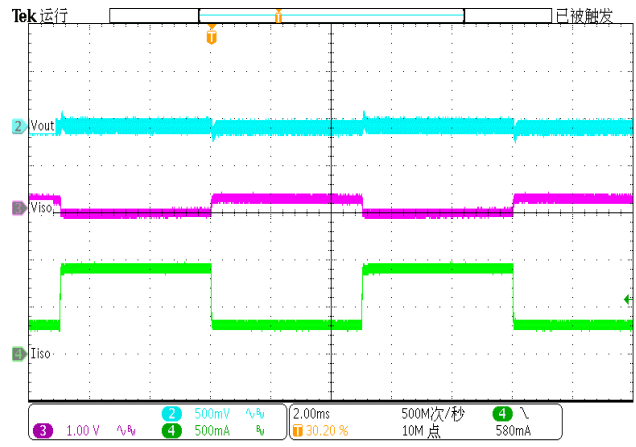
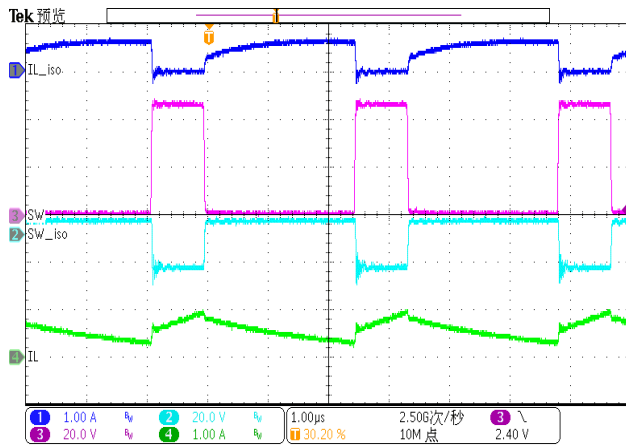
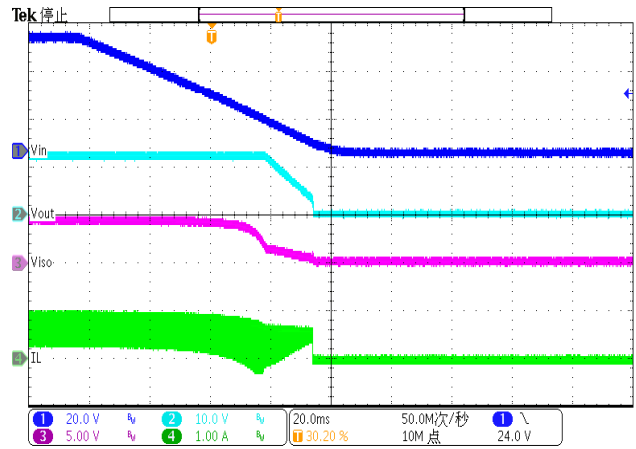
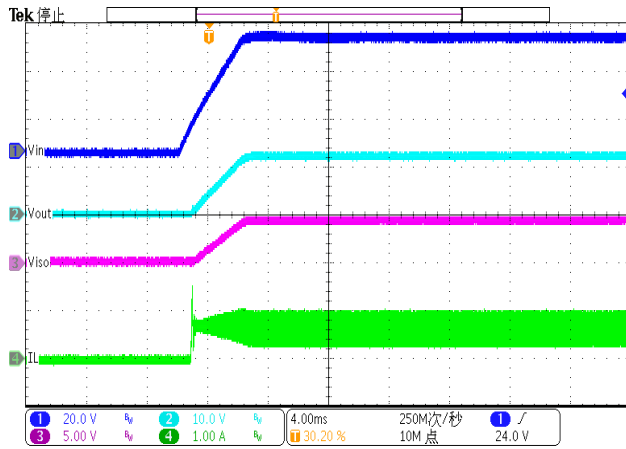
$$V_{RD1} = (V_{IN(max)} - V_{out1}) * \frac{N_2}{N_1} + V_{out2} \quad (17)$$

A diode with higher reverse voltage rating must be selected in this application. If the input voltage (V_{IN}) has transients above the normal operating maximum input voltage, then the worst-case transient input voltage must be used in calculation while selecting the secondary side rectifier diode.

SCT2A23

Iso-Buck Application Waveforms

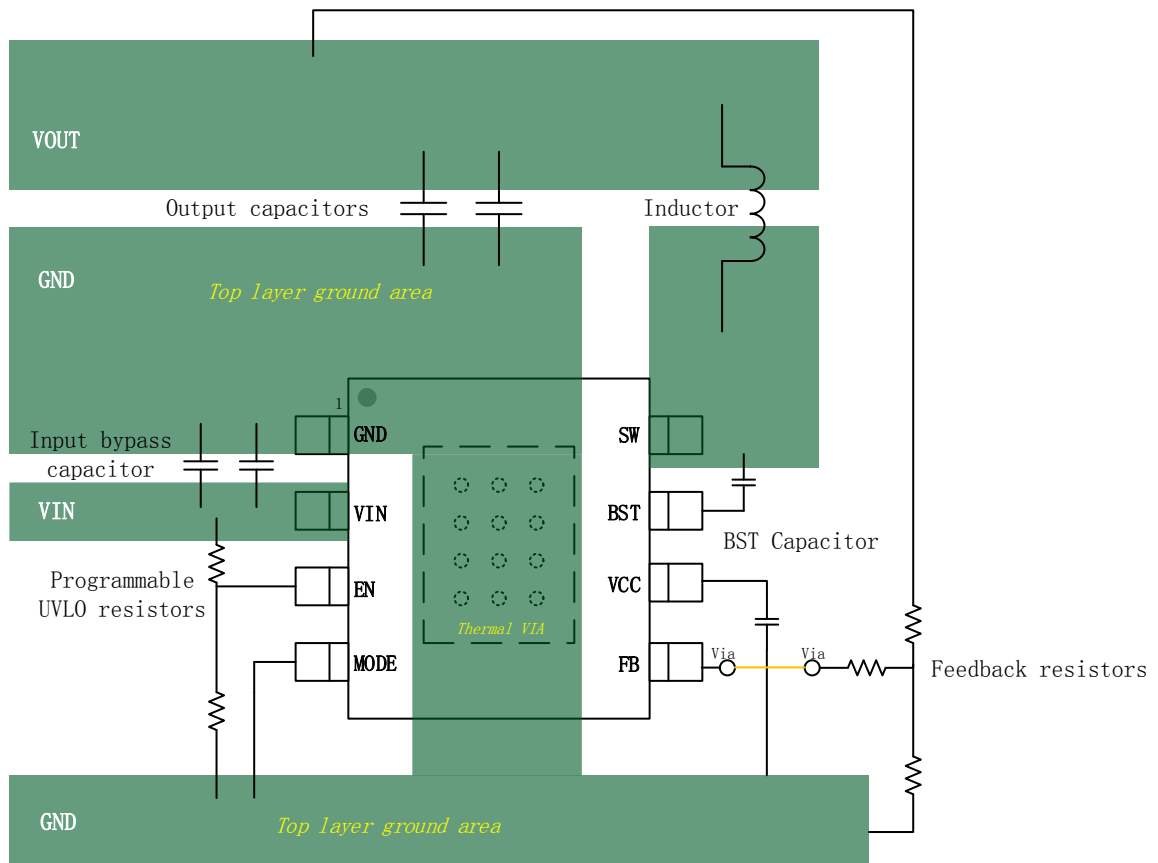
Vin=48V, Vout=12V, Viso=5V, unless otherwise noted



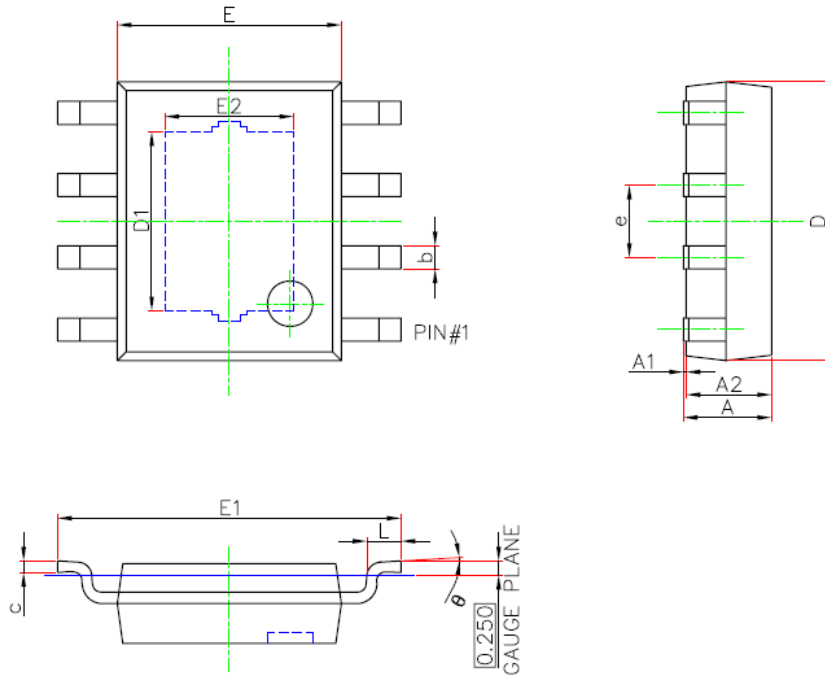
Layout Guideline

Proper PCB layout is a critical for SCT2A23's stable and efficient operation. The traces conducting fast switching currents or voltages are easy to interact with stray inductance and parasitic capacitance to generate noise and degrade performance. For better results, follow these guidelines as below:

1. Power grounding scheme is very critical because of carrying power, thermal, and glitch/bouncing noise associated with clock frequency. The thumb of rule is to make ground trace lowest impedance and power are distributed evenly on PCB. Sufficiently placing ground area will optimize thermal and not causing over heat area.
2. Place a low ESR ceramic capacitor as close to VIN pin and the ground as possible to reduce parasitic effect.
3. For operation at full rated load, the top side ground area must provide adequate heat dissipating area. Make sure top switching loop with power have lower impedance of grounding.
4. The bottom layer is a large ground plane connected to the ground plane on top layer by vias. The power pad should be connected to bottom PCB ground planes using multiple vias directly under the IC. The center thermal pad should always be soldered to the board for mechanical strength and reliability, using multiple thermal vias underneath the thermal pad. Improper soldering thermal pad to ground plate on PCB will cause SW higher ringing and overshoot besides downgrading thermal performance. It is recommended 8mil diameter drill holes of thermal vias, but a smaller via offers less risk of solder volume loss. On applications where solder volume loss thru the vias is of concern, plugging or tenting can be used to achieve a repeatable process.
5. Output inductor should be placed close to the SW pin. The area of the PCB conductor minimized to prevent excessive capacitive coupling.
6. UVLO adjust, VCC capacitor and feedback components should connect to small signal ground which must return to the GND pin without any interleaving with power ground.
7. For achieving better thermal performance, a four-layer layout is strongly recommended.



PACKAGE INFORMATION



ESOP8/PP(95x130) Package Outline Dimensions

Symbol	Dimensions in Millimeters		Dimensions in Inches	
	Min.	Max.	Min.	Max.
A	1.300	1.700	0.051	0.067
A1	0.000	0.100	0.000	0.004
A2	1.350	1.550	0.053	0.061
b	0.330	0.510	0.013	0.020
c	0.170	0.250	0.007	0.010
D	4.700	5.100	0.185	0.201
D1	3.050	3.250	0.120	0.128
E	3.800	4.000	0.150	0.157
E1	5.800	6.200	0.228	0.244
E2	2.160	2.360	0.085	0.093
e	1.270(BSC)		0.050(BSC)	
L	0.400	1.270	0.016	0.050
θ	0°	8°	0°	8°

NOTE:

1. Drawing proposed to be made a JEDEC package outline MO-220 variation.
2. Drawing not to scale.
3. All linear dimensions are in millimeters.
4. Thermal pad shall be soldered on the board.
5. Dimensions of exposed pad on bottom of package do not include mold flash.
6. Contact PCB board fabrication for minimum solder mask web tolerances between the pins.

TAPE AND REEL INFORMATION

Orderable Device	Package Type	Pins	SPQ
SCT2A23STER	ESOP	8	4000

