



SGM48757

SPDT 1Ω Analog Switch

GENERAL DESCRIPTION

The SGM48757 is a single low on-resistance (1Ω), fast single-pole/double-throw (SPDT) CMOS switch. It is designed for low operating voltage, high current switching of speaker output for cell phone applications. The SGM48757 can handle a balanced microphone/speaker/ring tone generator in a monophone mode. The device contains a break-before-make (BBM) feature.

The control input, IN, tolerates input drive signals up to 5.5V, independent of supply voltage.

The SGM48757 is available in Green SC70-6, SOT-23-6 and UTDFN-1.45×1-6AL packages. It supports -40°C to +125°C operating temperature range.

FEATURES

- **Supply Voltage Range: 1.8V to 5.5V**
- **On-Resistance: 1Ω (TYP) at 4.5V**
- **-3dB Bandwidth: 72MHz**
- **High Off-Isolation: -38dB at 10MHz**
- **Rail-to-Rail Operation**
- **Low Static Power**
- **TTL/CMOS Compatible**
- **Break-Before-Make Switching**
- **-40°C to +125°C Operating Temperature Range**
- **Available in Green SC70-6, SOT-23-6 and UTDFN-1.45×1-6AL Packages**

APPLICATIONS

Portable Instrumentation
Battery-Operated Equipment
Computer Peripherals
Cell Phones
PDAs
MP3s

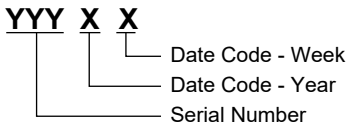
PACKAGE/ORDERING INFORMATION

MODEL	PACKAGE DESCRIPTION	SPECIFIED TEMPERATURE RANGE	ORDERING NUMBER	PACKAGE MARKING	PACKING OPTION
SGM48757	SC70-6	-40°C to +125°C	SGM48757XC6G/TR	R54XX	Tape and Reel, 3000
	SOT-23-6	-40°C to +125°C	SGM48757XN6G/TR	OP1XX	Tape and Reel, 3000
	UTDFN-1.45×1-6AL	-40°C to +125°C	SGM48757XUDL6G/TR	27X	Tape and Reel, 5000

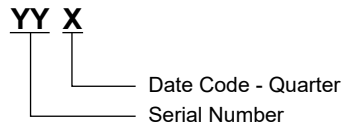
MARKING INFORMATION

NOTE: X = Date Code, XX = Date Code.

SC70-6/SOT-23-6



UTDFN-1.45×1-6AL



ABSOLUTE MAXIMUM RATINGS

V+, IN to GND	-0.3V to 6V
Analog, Digital Voltage Range ⁽¹⁾	-0.3V to (V+) + 0.3V
Junction Temperature	+150°C
Storage Temperature Range	-65°C to +150°C
Lead Temperature (Soldering, 10s)	+260°C
ESD Susceptibility	
HBM	6000V
CDM	1000V

NOTE:

1. Signals on NC, NO, or COM or IN exceeding V+ will be clamped by internal diodes. Limit forward diode current to maximum current ratings.

RECOMMENDED OPERATING CONDITIONS

Operating Temperature Range	-40°C to +125°C
-----------------------------------	-----------------

OVERSTRESS CAUTION

Stresses beyond those listed in Absolute Maximum Ratings may cause permanent damage to the device. Exposure to absolute maximum rating conditions for extended periods may affect reliability. Functional operation of the device at any conditions beyond those indicated in the Recommended Operating Conditions section is not implied.

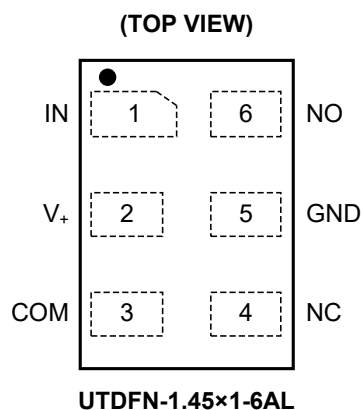
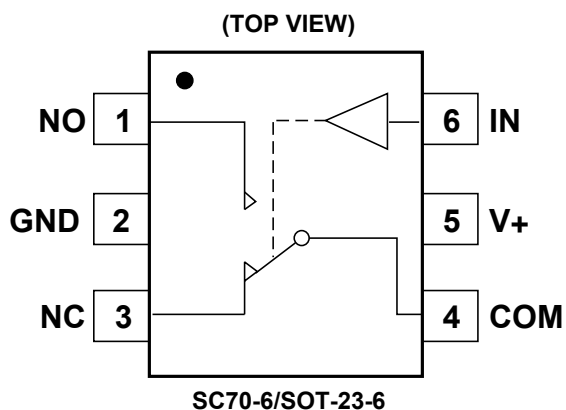
ESD SENSITIVITY CAUTION

This integrated circuit can be damaged if ESD protections are not considered carefully. SGMICRO recommends that all integrated circuits be handled with appropriate precautions. Failure to observe proper handling and installation procedures can cause damage. ESD damage can range from subtle performance degradation to complete device failure. Precision integrated circuits may be more susceptible to damage because even small parametric changes could cause the device not to meet the published specifications.

DISCLAIMER

SG Micro Corp reserves the right to make any change in circuit design, or specifications without prior notice.

PIN CONFIGURATIONS



PIN DESCRIPTION

PIN		NAME	FUNCTION
SC70-6/SOT-23-6	UTDFN-1.45x1-6AL		
1	6	NO	Normally-Open Terminal.
2	5	GND	Ground.
3	4	NC	Normally-Closed Terminal.
4	3	COM	Common Terminal.
5	2	V+	Power Supply.
6	1	IN	Digital Control Pin. Connect the COM terminal to the NO or NC terminal.

NOTE: NO, NC and COM terminal may be an input or output.

FUNCTION TABLE

IN	NO	NC
0	OFF	ON
1	ON	OFF

NOTE: Switches shown for logic "0" input.

ELECTRICAL CHARACTERISTICS

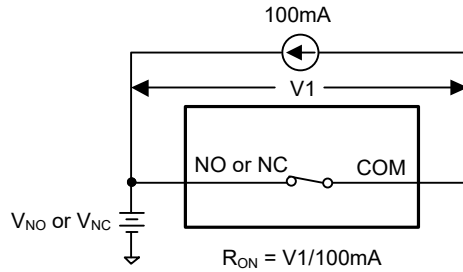
(V₊ = 4.5V to 5.5V, GND = 0V, Full = -40°C to +125°C, typical values are at T_A = +25°C, unless otherwise noted.)

PARAMETER	SYMBOL	CONDITIONS	TEMP	MIN	TYP	MAX	UNITS
Analog Switch							
Analog Signal Range	V _{NO} , V _{NC} , V _{COM}		Full	0		V ₊	V
On-Resistance	R _{ON}	V ₊ = 4.5V, V _{NO} or V _{NC} = 0V to 4.5V, I _{COM} = -100mA, Test Circuit 1	+25°C		1	1.2	Ω
			Full			1.5	
On-Resistance Match between Channels	ΔR _{ON}	V ₊ = 4.5V, V _{NO} or V _{NC} = 0V to 4.5V, I _{COM} = -100mA, Test Circuit 1	+25°C		0.01	0.2	Ω
			Full			0.25	
On-Resistance Flatness	R _{FLAT(ON)}	V ₊ = 4.5V, V _{NO} or V _{NC} = 0V to 4.5V, I _{COM} = -100mA, Test Circuit 1	+25°C		0.3	0.5	Ω
			Full			0.6	
Source Off Leakage Current	I _{NC(OFF)} , I _{NO(OFF)}	V ₊ = 5.5V, V _{NO} or V _{NC} = 1V/4.5V, V _{COM} = 4.5V/1V	+25°C		±0.1	±1.5	μA
			Full			±2	
Channel On Leakage Current	I _{NC(ON)} , I _{NO(ON)} , I _{COM(ON)}	V ₊ = 5.5V, V _{COM} = 1V/4.5V, V _{NO} or V _{NC} = floating	+25°C		±0.1	±1.5	μA
			Full			±2	
Digital Inputs							
Input High Voltage	V _{INH}	V ₊ = 4.5V	+25°C	1.5			V
Input Low Voltage	V _{INL}	V ₊ = 4.5V	+25°C			0.5	V
Input Leakage Current	I _{IN}	V ₊ = 4.5V, V _{IN} = 0V or 4.5V	+25°C		±0.1	±0.5	μA
			Full			±1	
Dynamic Characteristics							
Turn-On Time	t _{ON}	V ₊ = 4.5V, V _{NO} or V _{NC} = 3V, R _L = 300Ω, C _L = 35pF, Test Circuit 2	+25°C		100		ns
Turn-Off Time	t _{OFF}	V ₊ = 4.5V, V _{NO} or V _{NC} = 3V, R _L = 300Ω, C _L = 35pF, Test Circuit 2	+25°C		100		ns
Break-Before-Make Time Delay	t _D	V ₊ = 4.5V, V _{NO} = V _{NC} = 3V, R _L = 300Ω, C _L = 35pF, Test Circuit 3	+25°C		50		ns
Skew	t _{SKEW}	V ₊ = 4.5V, R _S = 39Ω, C _L = 50pF, Test Circuit 4	+25°C		11		ns
Off Isolation	O _{ISO}	V ₊ = 4.5V, R _L = 50Ω, Signal = 0dBm, Test Circuit 5	f = 10MHz	+25°C		-38	dB
			f = 1MHz	+25°C		-64	
-3dB Bandwidth	BW	V ₊ = 4.5V, Signal = 0dBm, R _L = 50Ω, Test Circuit 6	+25°C		72		MHz
Channel On Capacitance	C _{NC(ON)} , C _{NO(ON)} , C _{COM(ON)}	V ₊ = 4.5V, f = 1MHz	+25°C		25		pF
Channel Off Capacitance	C _{NC(OFF)} , C _{NO(OFF)} , C _{COM(OFF)}	V ₊ = 4.5V, f = 1MHz	+25°C		15		pF
Power Requirements							
Power Supply Range	V ₊		Full	1.8		5.5	V
Power Supply Current	I ₊	V ₊ = 5.5V, V _{IN} = 0V or V ₊	+25°C		±0.1	±1.2	μA
			Full			±1.5	

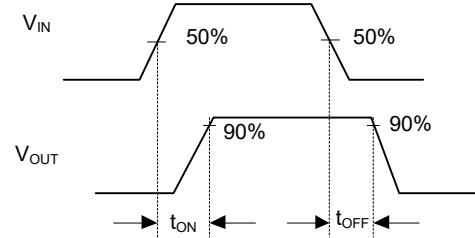
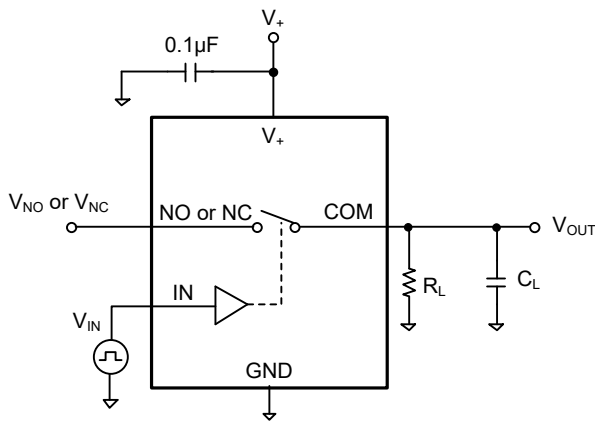
ELECTRICAL CHARACTERISTICS (continued)(V₊ = 2.7V to 3.6V, GND = 0V, Full = -40°C to +125°C, typical values are at T_A = +25°C, unless otherwise noted.)

PARAMETER	SYMBOL	CONDITIONS	TEMP	MIN	TYP	MAX	UNITS
Analog Switch							
Analog Signal Range	V _{NO} , V _{NC} , V _{COM}		Full	0		V ₊	V
On-Resistance	R _{ON}	V ₊ = 2.7V, V _{NO} or V _{NC} = 0V to 2.7V, I _{COM} = -100mA, Test Circuit 1	+25°C		1.7	2.2	Ω
			Full			2.5	
On-Resistance Match between Channels	ΔR _{ON}	V ₊ = 2.7V, V _{NO} or V _{NC} = 0V to 2.7V, I _{COM} = -100mA, Test Circuit 1	+25°C		0.01	0.3	Ω
			Full			0.4	
On-Resistance Flatness	R _{FLAT(ON)}	V ₊ = 2.7V, V _{NO} or V _{NC} = 0V to 2.7V, I _{COM} = -100mA, Test Circuit 1	+25°C		0.8	1.2	Ω
			Full			1.3	
Source Off Leakage Current	I _{NC(OFF)} , I _{NO(OFF)}	V ₊ = 3.6V, V _{NO} or V _{NC} = 0.3V/3.3V, V _{COM} = 3.3V/0.3V	Full		±0.1	±1.5	μA
						±2	
Channel On Leakage Current	I _{NC(ON)} , I _{NO(ON)} , I _{COM(ON)}	V ₊ = 3.6V, V _{COM} = 0.3V/3.3V, V _{NO} or V _{NC} = floating	Full		±0.1	±1.5	μA
						±2	
Digital Inputs							
Input High Voltage	V _{INH}	V ₊ = 2.7V	+25°C	1.4			V
Input Low Voltage	V _{INL}	V ₊ = 2.7V	+25°C			0.4	V
Input Leakage Current	I _{IN}	V ₊ = 2.7V, V _{IN} = 0V or 2.7V	+25°C		±0.1	±0.5	μA
			Full			±1	
Dynamic Characteristics							
Turn-On Time	t _{ON}	V ₊ = 3V, V _{NO} or V _{NC} = 1.5V, R _L = 300Ω, C _L = 35pF, Test Circuit 2	+25°C		160		ns
Turn-Off Time	t _{OFF}	V ₊ = 3V, V _{NO} or V _{NC} = 1.5V, R _L = 300Ω, C _L = 35pF, Test Circuit 2	+25°C		120		ns
Break-Before-Make Time Delay	t _D	V ₊ = 3V, V _{NC} = V _{NO} = 1.5V, R _L = 300Ω, C _L = 35pF, Test Circuit 3	+25°C		60		ns
Skew	t _{SKEW}	V ₊ = 3V, R _S = 39Ω, C _L = 50pF, Test Circuit 4	+25°C		11		ns
Off Isolation	O _{ISO}	V ₊ = 3V, R _L = 50Ω, Signal = 0dBm, Test Circuit 5	f = 10MHz	+25°C		-38	dB
			f = 1MHz	+25°C		-64	
-3dB Bandwidth	BW	V ₊ = 3V, Signal = 0dBm, R _L = 50Ω, Test Circuit 6	+25°C		75		MHz
Channel On Capacitance	C _{NC(ON)} , C _{NO(ON)} , C _{COM(ON)}	V ₊ = 3V, f = 1MHz	+25°C		25		pF
Channel Off Capacitance	C _{NC(OFF)} , C _{NO(OFF)} , C _{COM(OFF)}	V ₊ = 3V, f = 1MHz	+25°C		15		pF
Power Requirements							
Power Supply Current	I ₊	V ₊ = 3.6V, V _{IN} = 0V or V ₊	+25°C		±0.1	±1.2	μA
			Full			±1.5	

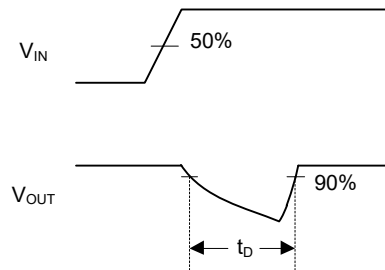
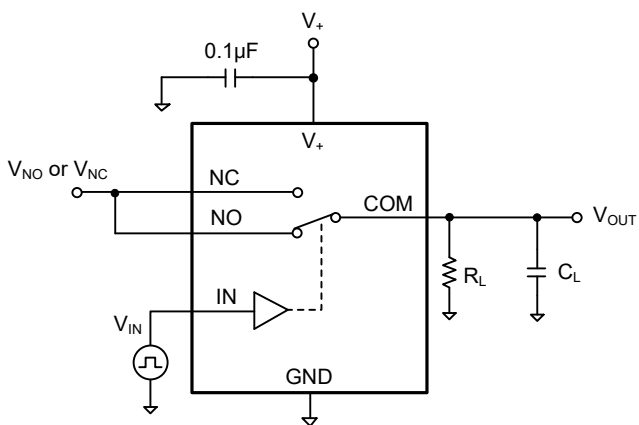
TEST CIRCUITS



Test Circuit 1. On-Resistance

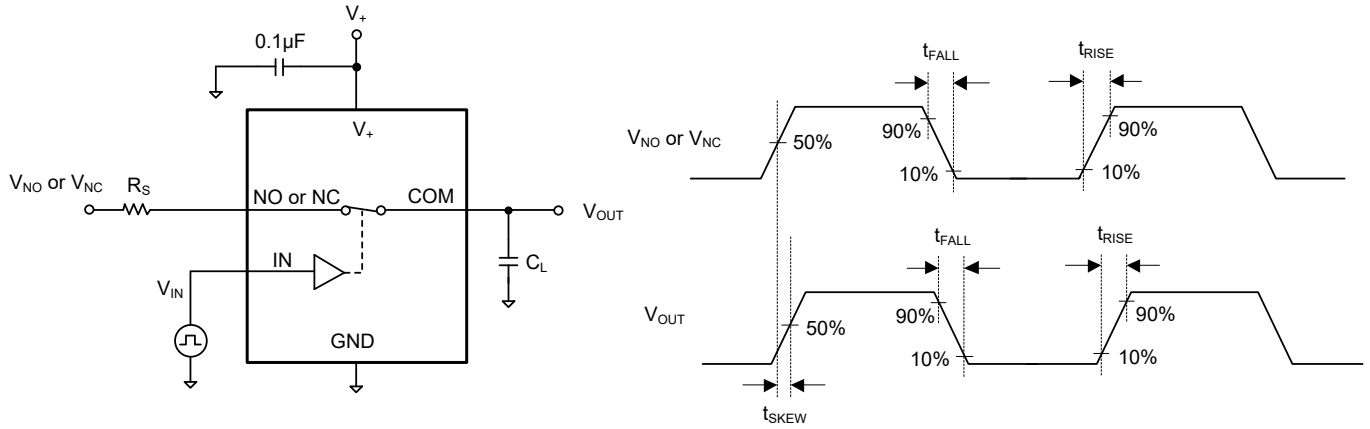


Test Circuit 2. Switching Times (t_{ON} , t_{OFF})

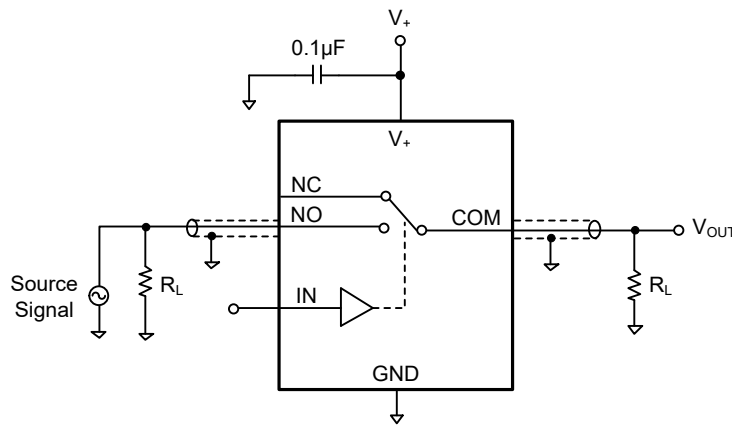


Test Circuit 3. Break-Before-Make Time Delay (t_D)

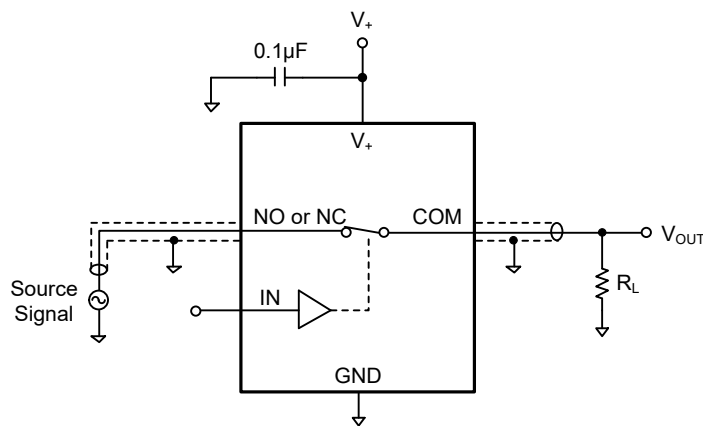
TEST CIRCUITS (continued)



Test Circuit 4. Skew Test



Test Circuit 5. Off Isolation



Test Circuit 6. -3dB Bandwidth

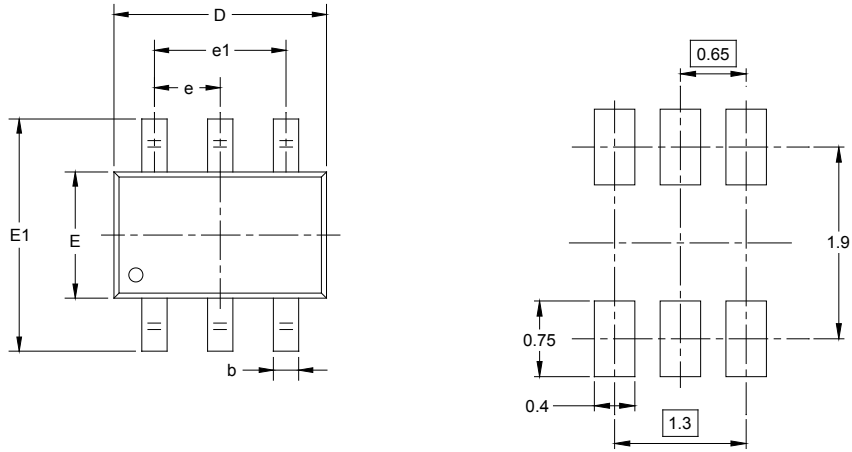
REVISION HISTORY

NOTE: Page numbers for previous revisions may differ from page numbers in the current version.

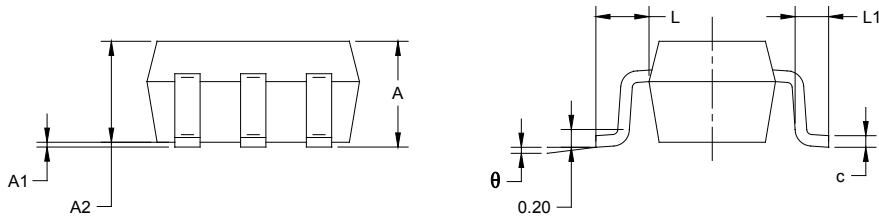
Changes from Original (JULY 2021) to REV.A	Page
Changed from product preview to production data.....	All

PACKAGE OUTLINE DIMENSIONS

SC70-6



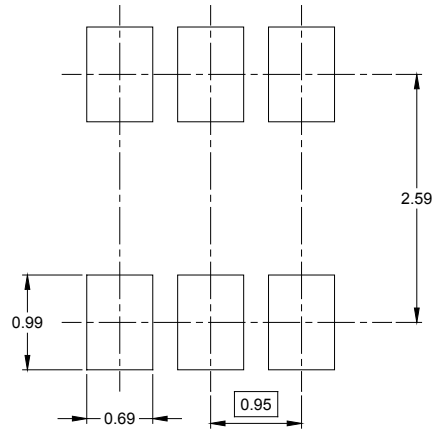
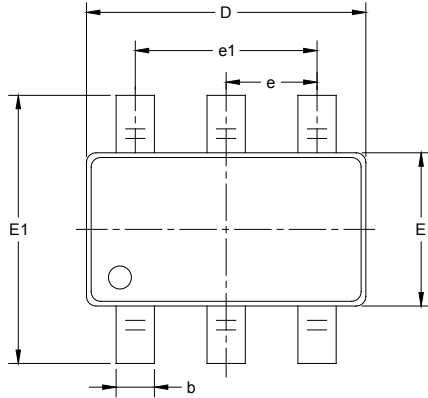
RECOMMENDED LAND PATTERN (Unit: mm)



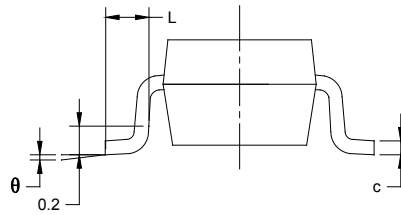
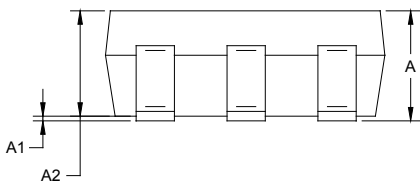
Symbol	Dimensions In Millimeters		Dimensions In Inches	
	MIN	MAX	MIN	MAX
A	0.900	1.100	0.035	0.043
A1	0.000	0.100	0.000	0.004
A2	0.900	1.000	0.035	0.039
b	0.150	0.350	0.006	0.014
c	0.080	0.150	0.003	0.006
D	2.000	2.200	0.079	0.087
E	1.150	1.350	0.045	0.053
E1	2.150	2.450	0.085	0.096
e	0.65 TYP		0.026 TYP	
e1	1.300 BSC		0.051 BSC	
L	0.525 REF		0.021 REF	
L1	0.260	0.460	0.010	0.018
θ	0°	8°	0°	8°

PACKAGE OUTLINE DIMENSIONS

SOT-23-6



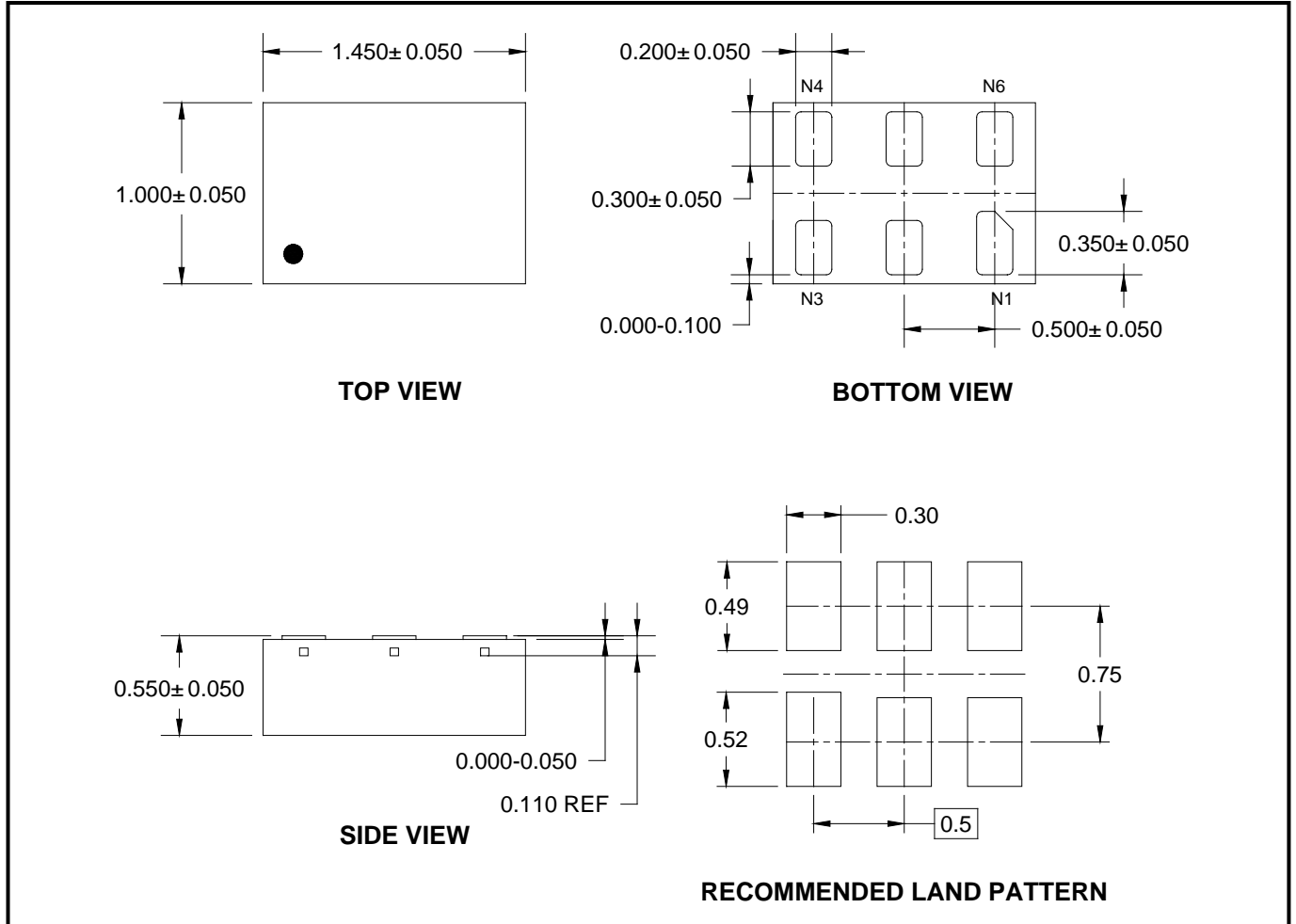
RECOMMENDED LAND PATTERN (Unit: mm)



Symbol	Dimensions In Millimeters		Dimensions In Inches	
	MIN	MAX	MIN	MAX
A	1.050	1.250	0.041	0.049
A1	0.000	0.100	0.000	0.004
A2	1.050	1.150	0.041	0.045
b	0.300	0.500	0.012	0.020
c	0.100	0.200	0.004	0.008
D	2.820	3.020	0.111	0.119
E	1.500	1.700	0.059	0.067
E1	2.650	2.950	0.104	0.116
e	0.950 BSC		0.037 BSC	
e1	1.900 BSC		0.075 BSC	
L	0.300	0.600	0.012	0.024
θ	0°	8°	0°	8°

PACKAGE OUTLINE DIMENSIONS

UTDFN-1.45x1-6AL

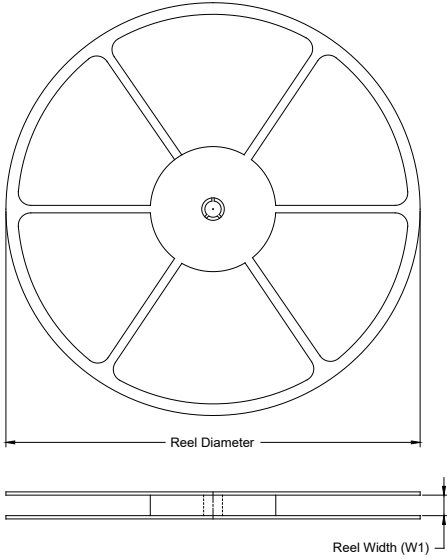


NOTE: All linear dimensions are in millimeters.

PACKAGE INFORMATION

TAPE AND REEL INFORMATION

REEL DIMENSIONS



TAPE DIMENSIONS



NOTE: The picture is only for reference. Please make the object as the standard.

KEY PARAMETER LIST OF TAPE AND REEL

Package Type	Reel Diameter	Reel Width W1 (mm)	A0 (mm)	B0 (mm)	K0 (mm)	P0 (mm)	P1 (mm)	P2 (mm)	W (mm)	Pin1 Quadrant
SC70-6	7"	9.5	2.40	2.50	1.20	4.0	4.0	2.0	8.0	Q3
SOT-23-6	7"	9.5	3.17	3.23	1.37	4.0	4.0	2.0	8.0	Q3
UTDFN-1.45×1-6AL	7"	9.5	1.15	1.60	0.75	4.0	4.0	2.0	8.0	Q1

DD0001

PACKAGE INFORMATION

CARTON BOX DIMENSIONS



NOTE: The picture is only for reference. Please make the object as the standard.

KEY PARAMETER LIST OF CARTON BOX

Reel Type	Length (mm)	Width (mm)	Height (mm)	Pizza/Carton
7" (Option)	368	227	224	8
7"	442	410	224	18

DD0002